

Recess mount light bar

LL-IR-0001

Features

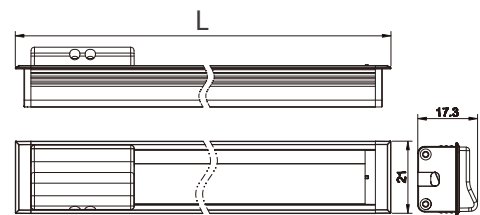
- ▶ Used for the two sides of the shelf vertical board, which can reduce the wiring of the lamp mounted on the plywood
- ▶ Inward lighting, no glare
- ▶ Easy to install
- ▶ With IR sensor build-in
- ▶ Warranty: 5 years

Parameter

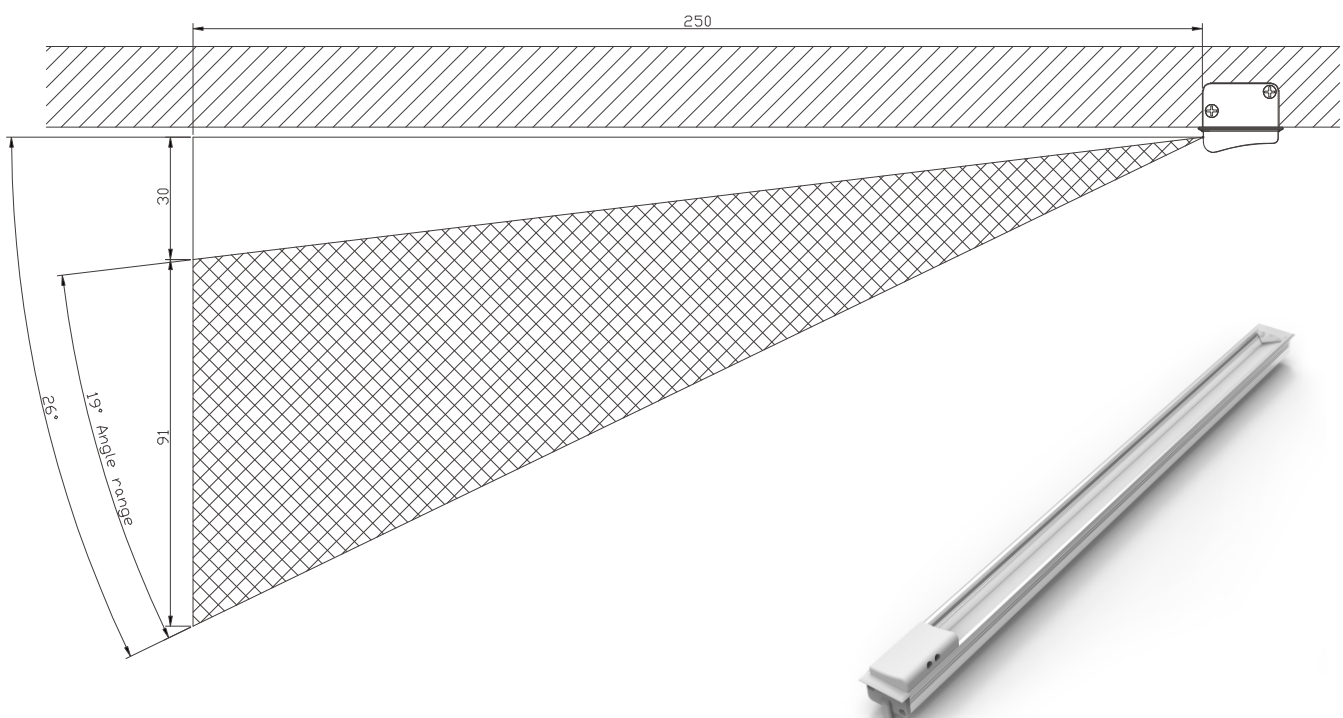
Voltage	12V/24V
Power	10W/Meter, Max. 2.5Meter
CRI	>90
Efficiency	80Lm/W
Protection	IP20
Beam angle	100°
Length	Customize
Color	silver



Dimension(mm)

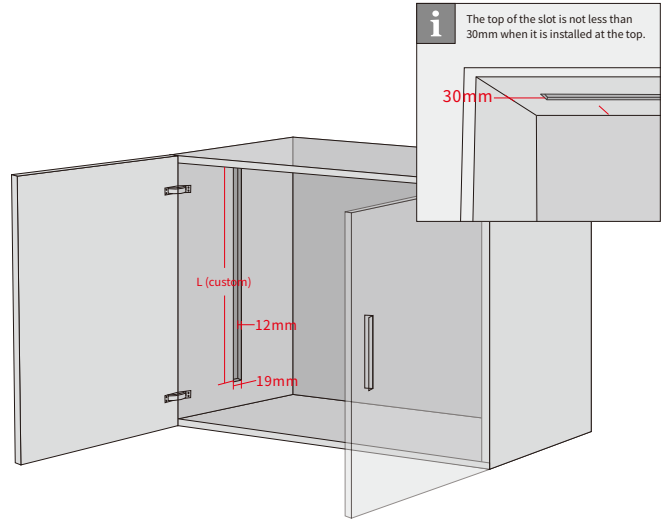


Angle of induction

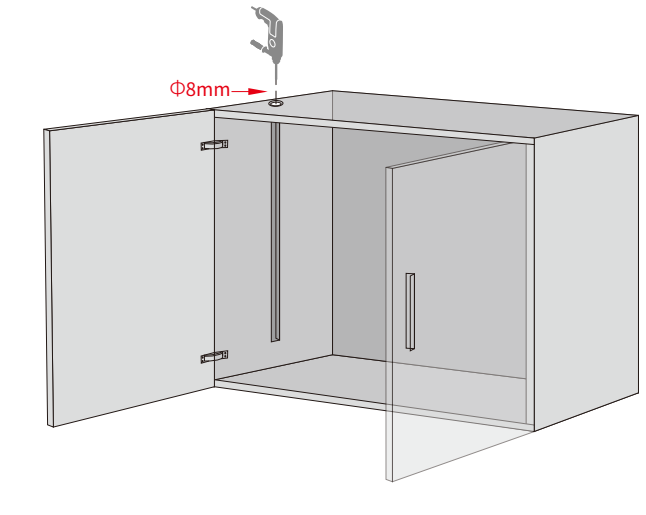


Installation diagram

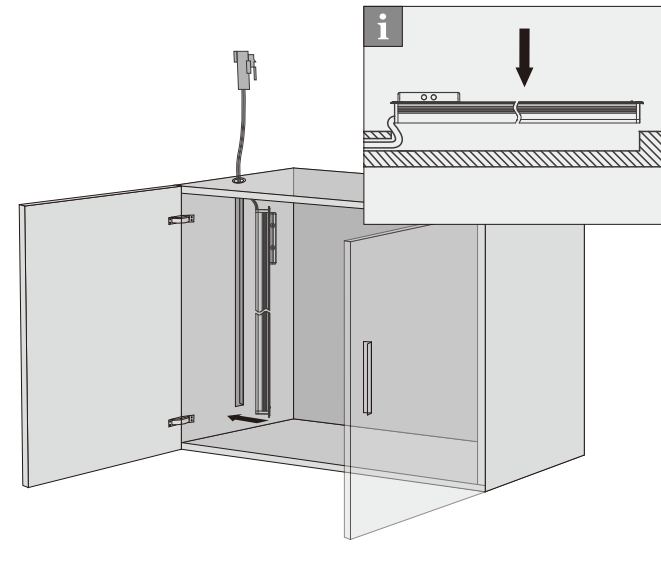
① One side slotting: L (custom) *W 19mm*H 12mm



② Top opening of 8mm hole



③ Lower pressure lamps in the tank



④ Access to DC12/24

