

1.0. Introduction

ACR1255U-J1 Secure Bluetooth® NFC Reader combines the latest 13.56 MHz contactless technology with Bluetooth® Smart connectivity for on-the-go smart card and NFC applications.

1.1. Smart Card Reader

ACR1255U-J1 supports ISO 14443 Type A and B smart cards, MIFARE®, FeliCa, and most NFC tags and devices compliant with ISO 18092 standard. This makes it the ideal device for a broad range of solutions, such as hands-free verification for physical and logical access control, and inventory tracking. ACR1255U-J1 has both Bluetooth 4.0 interface for pairing with mobile devices and USB Full Speed for PC-linked operation. Additionally, it can read/write at the speed of up to 424 Kbps for contactless smart card and NFC device access.



1.2. Compact Design

With a compact design and a rechargeable Lithium-ion battery for power, ACR1255U-J1 is extremely portable and convenient for use anytime, anywhere with most Bluetooth-enabled smartphones and tablets in the market.

1.3. Firmware Upgradeable Feature

To save valuable cost and time, the firmware of ACR1255U-J1 could conveniently be upgraded in-field to let users cope with the fast-changing technology for their applications to suit different scenarios.

1.4. Secure Bluetooth Connectivity

With Bluetooth Smart technology and AES-128 encryption (CBC ciphering mode), ACR1255U-J1 can connect securely and wirelessly with ease to any device running on Android™ version 4.3 and later, iOS 5.0 and later, Windows® 7 and later, and Mac OS® 10.7 and later.

1.5. Ease of Integration

ACR1255U-J1 can easily be installed for use with any personal computer running on Windows® operating system because it is PC/SC and CCID-compliant. Its drivers are also compatible with Linux® and Mac OS®.

With its numerous features, the ACR1255U-J1 is the perfect reader for your smart card solution.

2.0. Features

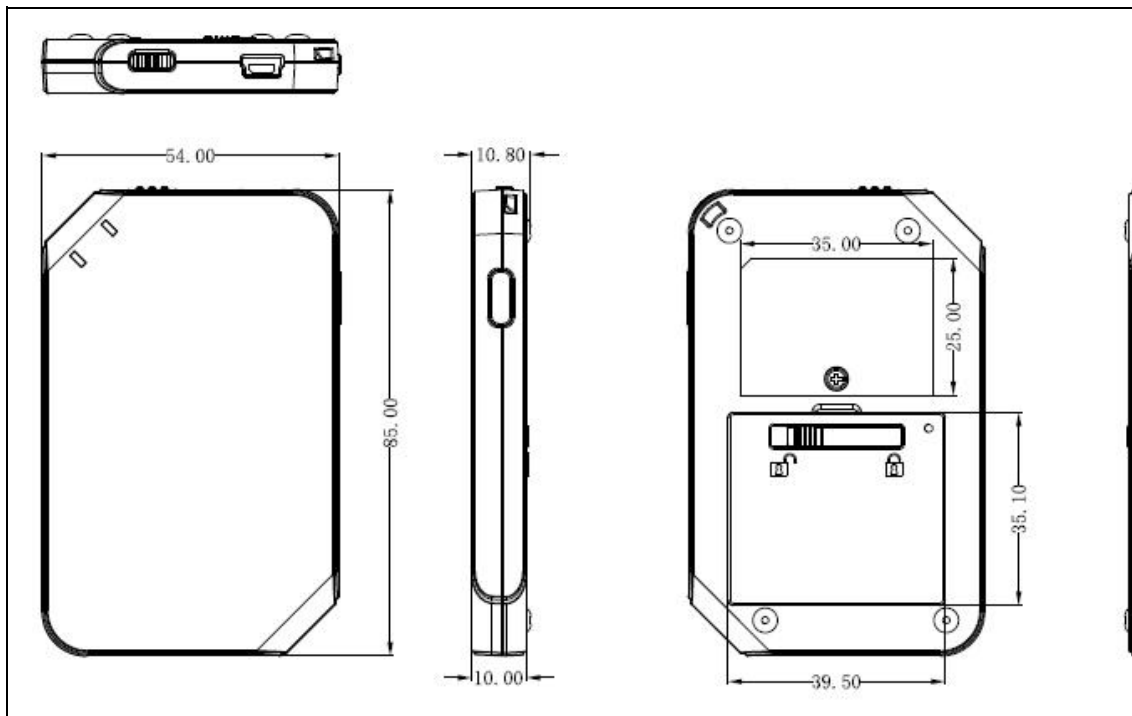
- USB Full Speed Interface
- Bluetooth Smart Interface
- Plug and Play – CCID support brings utmost mobility
- Smart Card Reader:
 - Contactless Interface:
 - Read/Write speed of up to 424 Kbps
 - Built-in antenna for contactless tag access, with reading distance of up to 60 mm (depending on tag type)
 - Supports ISO 14443 Part 4 Type A and B cards, MIFARE, FeliCa, and all 4 types of NFC (ISO/IEC 18092) tags
 - Built-in anti-collision feature (only one tag is accessed at any time)
 - Supports AES-128 encryption algorithm (CBC ciphering mode)
 - NFC Mode Supported:
 - Card reader/writer mode
- Application Programming Interface:
 - Supports PC/SC
 - Supports CT-API (through wrapper on top of PC/SC)
- Built-in Peripherals:
 - Two user-controllable bi-color LEDs
 - User-controllable buzzer
- USB Firmware Upgradeability¹
- Supports Android™ 4.3 and later²
- Supports iOS 5.0 and later³

¹ *Applicable under PC-linked mode*

² *Uses an ACS-defined Android Library*

³ *Uses an ACS-defined iOS Library*

3.0. Technical Specifications



Physical Characteristics

Dimensions.....85 mm (L) × 54 mm (W) × 10 mm (H)
 Weight.....37.5 g (74.1 g with cable ± 5 g tolerance)
 Color.....White

Bluetooth Interface

Protocol.....Bluetooth Smart (Bluetooth Low Energy/Bluetooth 4.0)
 Power Source.....Rechargeable Lithium-ion Battery (charging through USB)
 Speed.....1 Mbps

USB Host Interface

Protocol.....USB CCID
 Connector Type.....USB Mini-B
 Power Source.....From USB port
 Speed.....USB Full Speed (12 Mbps)
 Supply Voltage.....5 V
 Supply Current.....Max. 200 mA
 Cable Length.....1 m, Detachable

Contactless Smart Card Interface

Standard.....ISO/IEC 18092 NFC, ISO 14443 Type A & B, MIFARE, FeliCa
 Protocol.....ISO 14443 T=CL for ISO 14443-4-compliant cards
T=CL Emulation for MIFARE Classic, ISO 18092, FeliCa and NFC
 tags
 Operating Frequency.....13.56 MHz
 Operating Distance.....Up to 60 mm (depending on tag type)
 Smart Card Read/Write Speed.....106 Kbps, 212 Kbps, 424 Kbps

Antenna Size.....45.60 mm × 42.00 mm

Built-in Peripherals

LED.....2 bi-color: Red and Blue, Red and Green

Buzzer..... Monotone

Other Features

Encryption.....In-device AES-128 Encryption Algorithm (CBC Ciphering Mode)

Firmware Upgrade..... Supported (upgradeable through USB Interface)

Application Programming Interface

PC-linked Mode..... PC/SC

.....CT-API (through wrapper on top of PC/SC)

Operating Conditions

Temperature.....0 °C – 50 °C

Humidity.....Max. 90% (non-condensing)

MTBF.....500,000 hrs

Certifications/Compliance

EN 60950/IEC 60950, ISO 14443, ISO 18092, USB Full Speed, Bluetooth Smart, PC/SC, CCID, CE, FCC,

RoHS 2, REACH

VCCI (Japan), Microsoft® WHQL

Device Driver Operating System Support

Windows® 2000, Windows® XP, Windows Vista®, Windows® 7, Windows® 8, Windows® 8.1, Windows® 10

Windows® Server 2003, Windows® Server 2008, Windows® Server 2008 R2, Windows® Server 2012, Windows® Server 2012 R2

Linux®, Mac OS®, Android™⁴, iOS⁵



⁴ 4.3 or later Android version is required for Bluetooth 4.0

⁵ 5.0 and later iOS version is required

4.0. Typical Applications

- e-Government
- e-Healthcare
- e-Purse and Loyalty
- Mobile Banking and Payment
- Network Security
- Access Control
- Public Key Infrastructure