

DGCRANE

Xinxiang Degong Machinery Co.,Ltd

WIRE ROPE HOIST catalog



Model CD1、 MD1 Electric Wire Rope Hoist

Model CD1 Electric Wire rope Hoist has only one normal speed, which can satisfy normal application. Model MD1 Electric Wire rope Hoist provides two speeds: normal speed and low speed. At a low speed, it can do precise loading and unloading, mounding of sand box, maintenance of machine tools, etc.

1. Compact size

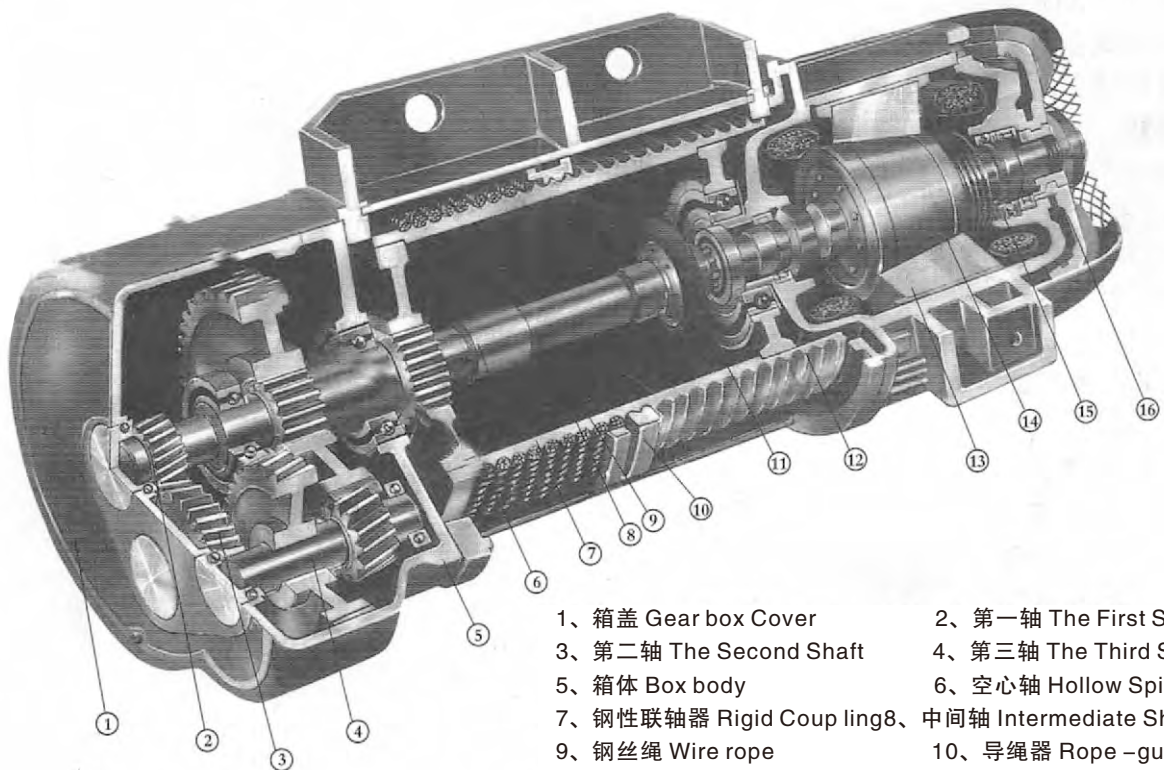
The axial dimension of hoist is compact ,it is easy to close the wall and lifting more height in a certain height.

The size of rail bottom base to hook is smallest compare with CD1 hoist , it makes the possible to lower the height of construction.

2. Light self-weight ,light wheel pressure.

It reduce the pressure of girder ,raise the Safety coefficient of girder.

250kg
500kg
1000kg
3000kg
5000kg
10000kg
16000kg
20000kg
32000kg



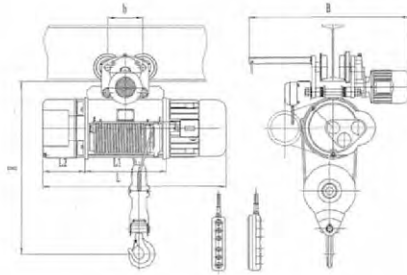
- | | |
|----------------------------|--------------------------|
| 1、箱盖 Gear box Cover | 2、第一轴 The First Shaft |
| 3、第二轴 The Second Shaft | 4、第三轴 The Third Shaft |
| 5、箱体 Box body | 6、空心轴 Hollow Spindle |
| 7、刚性联轴器 Rigid Coupling | 8、中间轴 Intermediate Shaft |
| 9、钢丝绳 Wire rope | 10、导绳器 Rope-guide |
| 11、弹性联轴器 Flexible coupling | 12、卷筒 Winding drum |
| 13、定子 Stator | 14、转子 Rotor |
| 15、压簧 Return spring | 16、制动器 Brake |

CD1、MD1 ELECTRIC HOIST

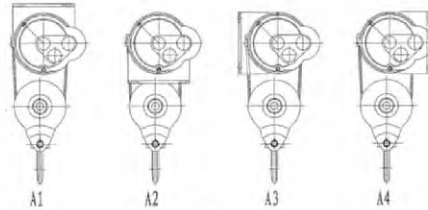


型号		Type	CD ₁ , MD ₁																																									
起重量		Capacity(t)	0.25			0.5			1			2			3			5			10			16																				
起升高度		Hoisting(m)	3	6	9	6	9	12	6	9	12	18	24	30	6	9	12	18	24	30	6	9	12	18	24	30	6	9	12	18	24	30	9	12	18	24	30	9	12	18	24	30		
起升速度		Hoisting Speed(m/min)	8(0.8/8)															7(0.7/7)						3.5(0.35/3.5)																				
运行速度		Travel Speed(m/min)	20			20/30															18																							
钢丝绳	绳径	Dia(mn)	3.6			4.8			7.4			11			13			15			17.5																							
	结构	Specification	6×19			6×37																																						
运行轨道		Track	10-20b			20a-32c															25a-50b			32b-50b			32b-63c																	
最小曲率半径		Min curvature radius(m)	0.8			1.5			1.5	2	3	4	2	2.5	3	4	2	2.5	3	4	2.5	3	4	4.5	6	3.5	4	6	7.5	9	3.5	4	6	8	11									
起升电机	型号	Type	ZD ₁₂ -4			ZD ₂₁ -4			ZD ₂₂ -4			ZD ₃₁ -4			ZD ₃₂ -4			ZD ₄₁ -4			ZD ₅₁ -4																							
	功率	Power(RW)	0.4			0.8(0.2/0.8)			1.5(0.2/1.5)			3.0(0.4/3.0)			4.5(0.4/4.5)			7.5(0.8/7.5)			13(1.5/13)																							
	转速	Rotationspeed(r/min)	1380															1400																										
	电流	Current(A)	1.25			2.4(0.72/2.4)			4.3(0.72/4.3)			7.6(1.25/7.0)			11(1.25/11)			18(2.4/18)			30(5.2/30)																							
运行电机	型号	Type	ZDY ₁₀ -4			ZDY ₁₁ -4			ZDY ₁₂ -4									ZDY ₂₁ -4																										
	功率	Power(RW)	0.06			0.2			0.4									0.8																										
	转速	Rotationspeed(r/min)	1400			1380			1380									1380																										
	电流	Current(A)	0.3			0.72			1.25									2.4																										
结合次数		No.ofconnecting(%)	120																																									
工作制度		Workingsystem	中级 intermediate Fc=25%																																									
电源		Power source	三相交流 Three-phase AC 380V 50Hz																																									
基本尺寸	L	Basic Dimensions (mm)	391			616	688	760	758	856	954	1150	1346	1542	820	920	1020	1220	1420	1620	932	1038	1138	1327	1533	1738	1047	1157	1257	1467	1677	1887	1602	1783	2145	2507	2869	1872	2092	2532	2952	3387		
	L1		78			274	346	418	345	443	541	737	933	1129	352	452	552	752	952	1152	380	483	586	792	998	1204	415	525	625	835	1045	1255	875	1056	1418	1780	2142	1136	1356	1796	2216	2651		
	L2		216			125			158			187			229			267			301																							
	L3		318			390	462	401	499	597	793	989	1185	418	518	618	818	1018	1218	448	551	654	860	1060	1272	485	606	695	905	1115	1325	949	1130	1492	1854	2216	1210	1430	1870	2290	2725			
	L4		190			196			240			264			320			376																										
	B		279-315			884			884			930			1055			2100																										
	H		423			650			667			767			840			950			954			1058			1120			1183			1350			2100								
	d		17			20			25			25			25(31)			25(37)																										
b	185			185			270	470	660	860	205	280	480	680	880	205	320	530	730	940	340	550	760	920	490	670	1030	1395	1760	860	1080	1520	1940	2375										
自重	CD ₁	Crane weight (Kg)	44			45	46	121	125	130	137	145	172	188	204	220	221	232	285	309	332	353	281	297	354	390	420	451	437	495	597	646	686	726	1048	1098	1209	1301	1411	1130	1183	1286	1463	1563
	MD ₁		138			142	147	164	174	199	215	231	247	256	267	320	344	361	388	311	327	384	420	450	481	508	532	654	703	743	783	1104	1154	1265	1366	1467	1220	1273	1376	1553	1653			
	CD ₁		30			31	32	89	94	99	105	112	120	135	159	165	166	179	186	209	229	249	222	236	250	284	312	340	377	400	415	456	493	529	795	841	943	1035	1127	850	903	1006	1183	1283
	MD ₁		106			111	116	132	140	147	162	177	192	201	211	221	244	264	284	252	266	280	314	342	370	430	457	472	513	549	586	851	897	999	1091	1183	949	997	1090	1273	1373			

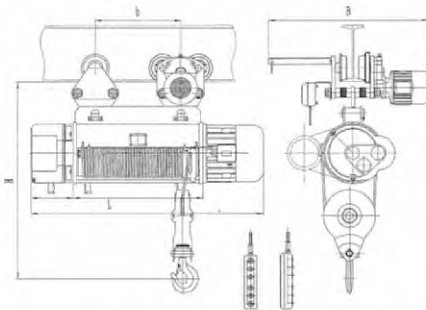
CD1、MD1 ELECTRIC HOIST



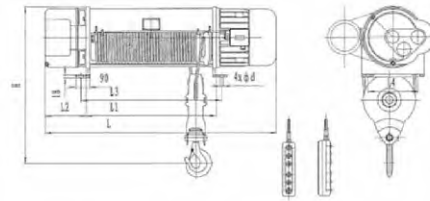
CD,/MD,型0.25-5吨 (H=6-9米)
Model CD,/CD,0.25-5t (H=6-9米)



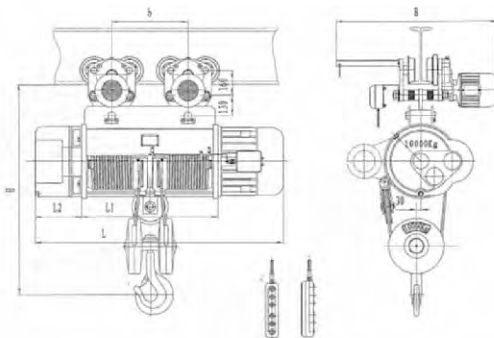
CD,/MD,型固定式
Model CD,/Md, Stationary



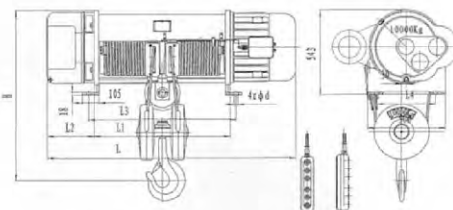
CD,/MD,型0.5-5吨 (H=12-30米)
Model CD,/CD,0.5-5t (H=12-30米)



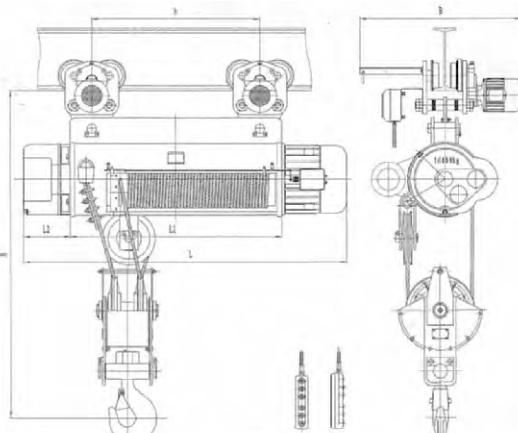
CD,/MD,型固定式0.5-5吨(H=12-30米)
Model CD,/MD, Stationary0.5-5t(12-30米)



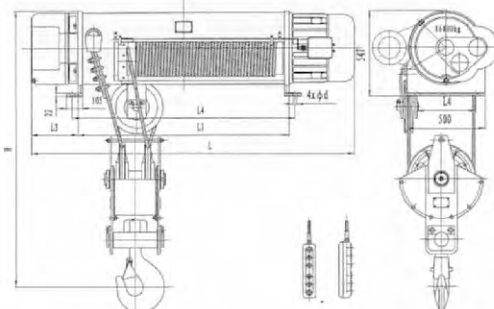
CD,/MD,型10吨 (H=9-30米)
Model CD,/MD,10t (H=9-30米)



CD,/MD,型固定式10吨(H=9-30米)
Model CD,/MD, Stationary 10t(9-30米)



CD,/MD,型16吨(H=9-30米)
Model CD,/MD,16t(9-30米)

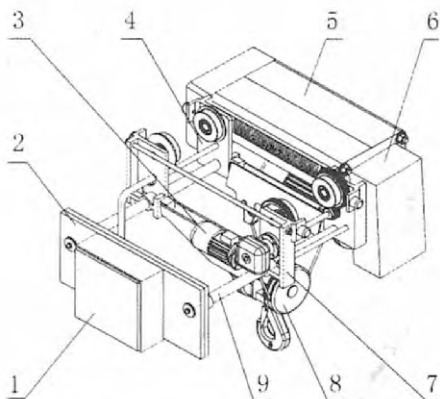
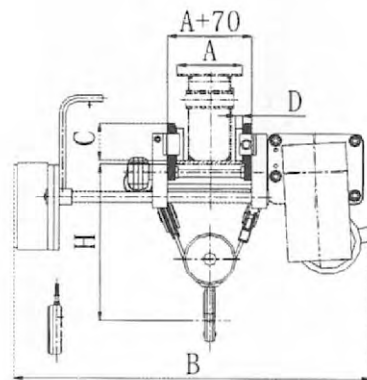
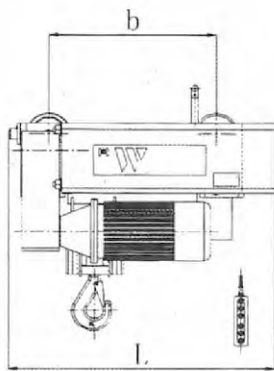


CD,/MD,型固定式16吨(H=9-30米)
Model CD,/MD, Stationary 16t(9-30米)

Low Clearance Electric Hoist

1. The low headroom hoist is improved from CD & MD model wire rope electric hoist, the working condition same as CD & MD model wire rope electric hoist, but it increases more clean lifting space, you can save more construction cost of workshop.

2. This type electric hoist can be widely used to hoist heavy objects, or installed under I-steel beam or single beam cranes and jib cranes. All the above has made the electric hoists common in industrial and ore enterprises, railway, wharfs and warehouses.



- 1. 电气箱 Control box
- 2. 配重 balance weight
- 3. 运行减速机 Travelling reducer
- 4. 从动支座 Driven bearing
- 5. 卷筒装置 Drum device
- 6. 减速机 Lifting reducer
- 7. 主动支座 Driving bearing
- 8. 吊钩 Hook
- 9. 支撑轴 Steady bearing

CRANE HOIST



起重量	Capacity(t)	3	2.5	2	5	4	3	10	8	6	1.5	1.25	1	2.5	2	1.5	5	4	3								
工作级别	Working system	M4 (1Am)	M5 (2Am)	M6 (3Am)	M4 (1Am)	M5 (2Am)	M6 (3Am)	M4 (1Am)	M5 (2Am)	M6 (3Am)	M4 (1Am)	M5 (2Am)	M6 (3Am)	M4 (1Am)	M5 (2Am)	M6 (3Am)	M4 (1Am)	M5 (2Am)	M6 (3Am)								
起升高度	Hoisting height(m)	6、8、12、16										8、12、16、24、32															
滑轮倍率	Block multiple times	4/2										2/1															
起升速度	Hoisting speed(m/min)	6/1.5										12/3															
运行速度	Travel speed (m/min)	20/5																									
钢丝绳	Wire rope	9NAT6X37+FC 1770				11NAT6X37+FC 1770				15NAT6X37+FC 1770				9NAT6X37+FC 1770				11NAT6X37+FC 1770				15NAT6X37+FC 1770					
起升电机	Motor Type	YHDE112L2/8-3.8/0.9				YHDE132L2/8-6/1.5				YHDE160L2/8-12.5/3				YHDE112L2/8-3.8/0.9				YHDE132L2/8-6/1.5				YHDE160L2/8-12.5/3					
机	Current(A)	9.2/5.6				14/6				26/16				9.2/5.6				14/6				26/16					
运行电机	Motor Type	YHDE802/8-0.55/0.99				YHDE80-2/8-0.75/0.12				YHDE802/8-1.50.25				YZDE802/8-0.25/0.06				YZDE802/8-0.37/0.09				YZDES02/8-0.75/0.18					
机	Current(A)	2.6/0.9				3.1/1.6				5.0/2.0				2.6/0.9				3.1/1.6				5.0/2.0					
工作制度	Motor working system	40%																									
电源	Power source	380V 50HZ																									
运行轨道	Track	H 型钢或箱型梁 (面宽为) H profiled bar or trunk girder (sencion width A)																									
车轮直径	Wheel diameter(mm)	134				154				194																	
基本尺寸	起升高度	Hoisting height(m)		6	8	12	16	6	8	12	16	6	8	12	16	8/12	16	24	32	8/12	16	24	32	8/12	16	24	32
	最大轮压	Max.wheel pressure(kN)		14.7	15.5	16.7	17.5	14.8	17.4	20.4	22.0	32	35	40	50	14.7	15.5	16.7	17.5	14.8	17.4	50.4	22.0	32	35	40	50
	L			855	970	1200	1430	953	1064	1286	1508	949	1035	1275	1515	855	970	1200	1430	953	1064	1286	1508	949	1035	1275	1515
	b	Basic dimensions		480	596	826	1056	426	537	759	981	560	646	886	1126	480	596	826	1056	426	537	759	981	560	646	886	1126
	H	mm		670				820				1000				670				820				1000			
	B			1470				1555				1760				1470				1555				1760			
C			90				100				224				900				100				224				
D			30				34				38				30				34				38				
自重	Crane	595	610	670	720	730	765	840	900	1245	1280	1340	1455	595	610	670	720	730	765	840	900	1245	1280	1340	1500		

葫芦型号标记方法: 如果需要起重量5t,工作级别M5, 起升高度6m,滑轮倍率4/1的电动葫芦则标记为ST15-6 M5 4/1

The sign way of electric hoist model:if you need Capacity 5t,working system M5.lifting height 6m.block multiple times 4/1. so the complete model should be:ST15-6 M5 4/1

Ex-proof Electric Hoist



This series hoist is designed and built in compliance with the national standard GB3836.1 "Explosive atmospheres Part 1 : Equipment – General Requirements" and GB3836.2 "Electrical Apparatus for explosive gas atmospheres Part 2: General requirements Flame proof electrical apparatus d", with Ex-mark "d II BT4,d Ct4".

Model ex-proof hoist is ideal hoisting equipment for services in explosive gas atmospheres formed by flammable gas, vapor and air.

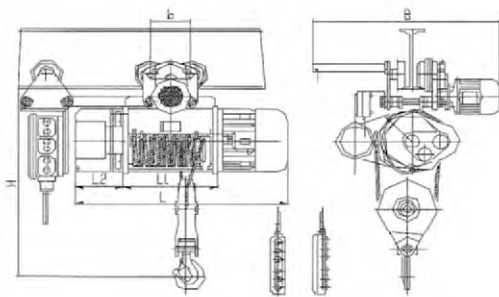
型号		Type		HB (EXd ₀ BT4, EXD ₀ CT4)																																																					
起重量		Capacity(t)		0.25						0.5						1						2						3						5						10						16											
起升高度		Hoisting(m)		3		6		9		12		6		9		12		18		24		30		6		9		12		18		24		30		6		9		12		18		24		30		9		12		18		24		30	
起升速度		Hoisting speed(m/min)		8(0.8/8)																																																					
运行速度		Travel speed(m/min)		20/30																																																					
钢丝绳	绳径	Dia(mm)		3.6						4.8						7.4						11						13						15						17.5																	
	结构	Specification		6×19																																																					
运行轨道		Track		10-20b						16-28b						20×32c						25×50b						32×50b						32×63c																							
最小曲率半径		Min curvature radius(m)		0.8																																																					
起升电机	型号	Type		ZD12-4						BZD ₀ 21-4						BZD ₀ 22-4						BZD ₀ 31-4						BZD ₀ 32-4						BZD ₀ 41-4						BZD ₀ 51-4																	
	功率	Power(RW)		0.4						0.8(0.2/0.8)						1.5(0.2/1.5)						3.0(0.4/3.0)						4.5(0.4/4.5)						7.5(0.8/7.5)						13(1.5/13)																	
	转速	Rotation speed(r/min)		1380																																																					
	电流	Current(A)		1.25						2.4(0.72/2.4)						4.3(0.72/4.3)						7.6(1.25/7.0)						11(1.25/11)						18(2.4/18)						30(5.2/30)																	
运行电机	型号	Type		BZD ₀ 110-4						BZD ₀ 11-4						BZD ₀ 12-4						BZD ₀ 21-4																																			
	功率	Power(RW)		0.06																																																					
	转速	Rotation speed(r/min)		1400						1380						1380						1380						1400																													
	电流	Current(A)		0.3						0.72						1.25						2.4																																			
综合次数		No. of connecting(次)		120																																																					
工作制度		Working system		中级 intermediate FC=25%																																																					
电源		Power source		三相交流 Threephase AC 380V 50Hz																																																					
基本尺寸	L	391		616	688	760	758	856	954	1150	1346	1542	820	920	1020	1220	1450	1620	932	1038	1138	1327	1533	1738	1047	1157	1257	1467	1677	1887	1602	1783	2145	2507	2869	1872	2092	2532	2952	3387																	
	L1	78		274	346	418	345	443	541	737	933	1129	352	452	552	752	952	1152	380	483	586	792	998	1204	415	525	625	835	1045	1255	875	1056	1418	1780	2142	1136	1356	1796	2216	2651																	
	L2	216		125		158																																																			
	L3	318		390	462	401	499	597	793	989	1185	418	518	618	818	1018	1218	448	551	654	860	1060	1272	485	606	695	905	1115	1325	949	1130	1492	1854	2216	1210	1430	1870	2290	2725																		
	L4	190		196																																																					
	B	279		315	884	884																																																			
H	423		650	667	767						840	950						954	1058						1120	1183						1350						2100																			
d	17		20																																																						
b	185		185	270	470	660	860	205	280	480	680	880	205	320	530	730	640	228	340	550	760	920	490	670	1030	1395	1760	860	1080	1520	1940	2375																									
自重	MD	Crane weight (kg)		44	45	46	121	125	130	137	145	172	188	204	220	221	232	285	309	332	353	281	297	354	390	420	451	437	495	597	646	686	726	1048	1098	1204	1301	1411	1130	1183	1286	1463	1563														
MD	30		31	32	89	94	99	105	112	120	135	159	165	166	179	186	209	229	249	222	236	250	284	312	340	377	400	415	456	493	529	795	841	943	1035	1127	850	903	1006	1183	1283																
MD	106		111	116	132	140	147	162	177	192	201	211	221	244	264	284	252	266	280	314	342	370	430	457	472	513	549	586	851	897	999	1091	1183	949	997	1090	1273	1373																			

CRANE HOIST

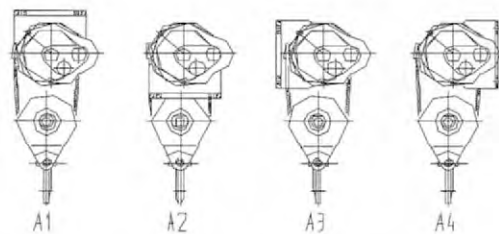


起重量		Capacity (t)																16																20																32															
型号		Type																HB (EXd ₀ BT4, EXD ₀ CT4)																																															
起升高度	Hoisting (m)	12	16	24	32	36	42	48	9	12	15	18	21	24	27	30	33	36	9	12	18	24	9	12	15	18	21	24	27	30	9	12	16	20	24																														
起升速度	Hoisting speed (m/min)	6 (0.6/6)								4.2 (0.42/4.2)								3.3 (0.33/3.3)				4.2 (0.42/4.2)				3 (0.3/3)																																							
运行速度	Travel speed (m/min)	18																14				14				16																																							
钢丝绳	绳径	26								1705								21.5				26																																											
	结构	Specification																6×37																																															
运行轨道	Track	50a-63c																56a-63c																63c以上																															
最小曲率半径	Min curvature radius (m)	3	3.5	4	5	6	7	8	3	3.5	4	5	6	7	8	9	10	11	3	4	5.5	7.6	3	3.5	4	5	6	7	8	9	3.5	4.5	5.8	7.2	8.7																														
起升电机	型号	BZDX62-6 (BZD ₁) S								BZD ₅ 1-4 (ZD ₁) S								BZD ₅ 2-4 (BZD ₂) S								BZDX62-6 (BZD ₃) S																																							
	功率	18.5 (2.2/18.5)								13 (1.5/13)								1400								18.5 (2.2/18.5)								18.5 (2.2/18.5)																															
运行电机	转速	960																1400								960																																							
	电流	43								30 (5.2/30)																42								43																															
综合次数	No. of connecting (次)																	120																																															
	工作制度	Working system																中级 intermediate FC=25%																																															
电源		Power source																三相交流 Three-phase AC 380V 50Hz																																															
基本尺寸	L	1666	181	2106	239	254	276	2986	1646	173	191	209	2269	244	262	280	2981	3159	1875	2108	2574	3040	1747	1942	2153	2364	2575	2786	2997	3208	1913	2127	2412	2697	2982																														
	L1	810	955	1250	1535	1690	1910	2130	808	986	1164	1342	1520	1698	1876	2054	2232	2410	1004	1237	1703	2169	948	1143	1354	1565	1776	1987	2198	2409	1056	1270	1555	1840	2125																														
	L2	396																330																402																330															
	L3	885	830	1125	1410	1564	1785	2005	700	878	1056	1234	1412	1590	1768	1946	2124	2302	858	1091	1557	2023	840	1035	1246	1457	1668	1879	2090	2301	916	1130	1415	1700	1985																														
	L4	600																670																600																600															
	B	505	650	945	1230	1385	1605	1825	488	666	844	1022	1200	1378	1556	1734	1912	2090	604	837	1303	1769	548	743	954	1165	1376	1587	1798	2009	656	870	1155	1440	1725																														
	H																	288~310																306~320																288~310															
	d	2600 (1300)								2300 (1300)								2500 (1300)								2300 (1300)								2500 (1500)																															
b																	25																																																
自重	CD ₁	2100	2200	2400	2550	2650	2800	2900	1530	1602	1673	1745	1816	1887	1959	2030	2100	2173	2450	2620	2800	3250	1838	1927	2025	2169	2240	2320	2444	2527	2885	2950	3270	3495	3700																														
	MD ₁																																																																
	CD ₂	1700	1800	2000	2150	2225	2400	2500	1183	1255	1308	1375	1450	1522	1593	1665	1736	1807	1750	1920	2100	2550	1375	1453	1539	1630	1759	1838	1962	2045	2115	2170	2475	2690	2880																														
	MD ₂																																																																

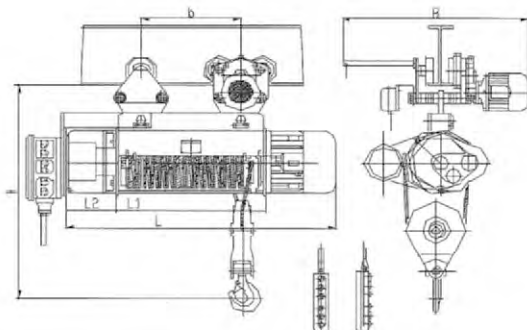
防爆标志（类别、级别） Explosion-proof mark (sorts, grade)	危险气体举例 Dangerous gas
Ex d II BT4	乙烷、丙烷、丁烷、庚烷、癸烷、乙烯、丙烯、一氧化碳、汽油、丙酮、苯乙烯、甲苯、苯、甲醇、乙醇、聚乙烯、乙醛、二乙醚 Ethane, propane, butane, heptanes, decane, ethylene, propylene, carbon monoxide, petrol, acetone, styrene, toluene, benzene, carbinol, ethanol, chloroethylene, acetaldehyde, diethyl ether
Ex d II CT4	氢气、水煤气、乙炔及Ex d II BT4 以外的气体 Hydrogen gas, water gas, acetylene and the gas expect Ex d II CT4



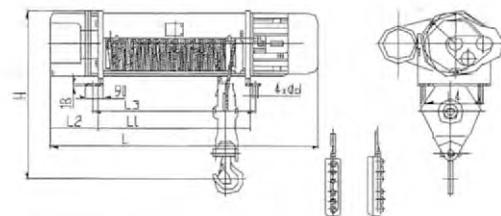
HB型0.25-5吨 (H=6-9米)
Model HB 0.25-5T (H=6-9m)



Hb固定式
Model HB Stationary



HB型0.5-5吨 (H=12-30米)
Model HB 0.5-5T (H=12-30m)



HB型固定式0.5-5吨 (H=12-30米)
Model HB Stationary 0.5-5T (H=12-30m)

European Type Wire Rope Hoist

Compared with the traditional electric wire rope hoist, the structure of European type hoist is more reasonable and the technology is more advanced. So this type of hoists is more and more widely used and will be the development tendency. In order to stand out in the group of electric wire rope hoist suppliers, we constantly improve the technology to produce high level hoist to be aligned with the world.

European type hoist used on double girder overhead crane



额定载荷 S. W. L (Kg)	工作级别 FEM	工作级别 ISO	起升高度 Hoisting height (m)	起升速度 Hoisting speed (m/min)	运行速度 Travelling speed (m/min)	H尺寸 Size H (mm)	C尺寸 Size C (mm)
2000	3 M	M6	6/9/12/18	0.8/5.0	5~20	463	350
3200	2 M	M5	6/9/12/19	0.8/5.0	5~20	463	350
5000	2 M	M5	6/9/12/20	0.8/5.0	5~20	463	350
6300	1AM	M4	6/9/12/21	0.8/5.0	5~20	463	350
8000	3M	M6	6/9/12/22	0.8/5.0	5~20	580	563
10000	1AM	M4	6/9/12/23	1.0/6.3	5~20	580	563
10000	2M	M5	6/9/12/24	0.8/5.0	5~20	580	563
10000	3M	M6	6/9/12/25	0.66/4.0	5~20	580	563
12500	1AM	M4	6/9/12/26	0.8/5.0	5~20	580	563
12500	1AM	M4	6/9/12/27	1.0/6.3	5~20	679	700
12500	2M	M5	6/9/12/28	0.6/4.0	5~20	679	700
16000	2M	M5	6/9/12/29	0.66/4.0	5~20	679	700
20000	1AM	M4	6/9/12/30	0.66/4.0	5~20	679	700
20000	2M	M5	6/9/12/31	0.53/3.4	5~20	679	700
20000	3M	M6	6/9/12/32	1.0/4.2	5~20	864	1000
25000	1AM	M4	6/9/12/33	0.53/3.4	5~20	864	1000
25000	3M	M6	6/9/12/34	0.8/3.3	5~20	864	1000
25000	2M	M5	6/9/12/35	1.0/4.2	5~20	864	1000
32000	2M	M5	6/9/12/36	0.8/3.3	5~20	864	1000
35200	2M	M5	6/9/12/37	0~4.9	5~20	1023	950
40000	1AM	M4	6/9/12/38	0~4.9	5~20	1023	950
50000	2M	M5	6/9/12/39	0~3.2	5~20	1023	950
50000	1AM	M4	6/9/12/40	0~4.1	5~20	1023	950
63000	1AM	M4	6/9/12/41	0~3.2	5~20	1023	950
63000	2M	M5	6/9/12/42	0~2.4	5~20	1023	1100
80000	1AM	M4	6/9/12/43	0~2.4	5~20	1023	1100

European type hoist used on single girder overhead crane



额定载荷 S. W. L (Kg)	工作级别 FEM	工作级别 ISO	起升高度 Hoisting height(m)	起升速度 Hoisting speed(m/min)	运行速度 Traveling speed(m/min)	H 尺寸 Size H (mm)	C 尺寸 Size C (mm)
1000	4M	M7	6/9/12/18	0.8/5.0	5~20	232	500
1250	3M	M6	6/9/12/18	0.8/5.0	5~20	232	500
1600	3M	M6	6/9/12/18	0.8/5.0	5~20	232	500
1600	2M	M5	6/9/12/18	1.6/10	5~20	232	500
2000	2M	M5	6/9/12/18	0.8/5.0	5~20	232	500
2000	3M	M6	6/9/12/18	1.3/8.0	5~20	232	500
2500	3M	M6	6/9/12/18	0.8/5.0	5~20	232	500
2500	3M	M6	6/9/12/18	1.0/6.3	5~20	232	500
2500	2M	M5	6/9/12/18	1.3/8.0	5~20	232	500
3200	2M	M5	6/9/12/18	0.8/5.0	5~20	232	500
3200	2M	M5	6/9/12/18	1.0/6.3	5~20	232	500
3200	1AM	M4	6/9/12/18	1.6/10	5~20	254	590
5000	2M	M5	6/9/12/18	0.8/0.5	5~20	254	590
5000	3M	M6	6/9/12/18	1.6/6.3	5~20	321	740
5000	2M	M5	6/9/12/18	1.6/10	5~20	321	740
6300	1AM	M4	6/9/12/18	0.8/5.0	5~20	254	590
6300	4M	M7	6/9/12/18	0.5/5.0	5~20	321	740
6300	2M	M5	6/9/12/18	1.3/8.0	5~20	321	740
8000	3M	M6	6/9/12/18	0.8/5.0	5~20	321	740
10000	1AM	M4	6/9/12/18	1.0/6.3	5~20	321	740
10000	2M	M5	6/9/12/18	0.8/5.0	5~20	321	740
10000	3M	M6	6/9/12/18	0.66/4.0	5~20	321	740
12500	1AM	M4	6/9/12/18	0.8/5.0	5~20	321	740
12500	2M	M5	6/9/12/18	0.6/4.0	5~20	321	740
12500	1AM	M4	6/9/12/18	1.0/6.3	5~20	321	740
12500	3M	M3	6/9/12/18	0.6/4.0	5~20	411	850
16000	2M	M5	6/9/12/18	0.6/4.0	5~20	411	850
20000	1AM	M4	6/9/12/18	0.6/4.0	5~20	411	850

Hoist Parts

Motor	Hoist Motor is a taper type rotor motor with brakintgs of the best quality motors, it has bigger torque, so it can be adapted to moving frequently, the Maximum torque is 2.4-3 times than the rated torque.
Gear Box	Hoist Gear Box has specially treated gears for high wear resistance. Each Geared Shaft assembly is supported on ball or roller bearings, to ensure smooth, lowfriction operation.
Rope Drum	Grooved Drum, seamless pipe of adequate length to be wounded in one layer and to provide proper support for the rope to minimize abrasive wear is provided. Drum Shaft resolves on Ball Bearings for ensuring smooth running.
Rope Guide	Rope Guide is in two halves, ensuring easy accessibility. It encircles the Drum completely so that the rope may not uncoil even when the Hoist is in unloaded condition. The rope guides of our company is thicken and dilated, so that it is not easy to be damaged.
Hook	The hook block is tested to 150% of full load before assembly. The rope sheaves are fully guarded with protective steel casting. All sheaves rotate on ball bearing. The pulley is thicken and dilated than domestic common



gear box



hook



motor



Rope drum



Rope guide

Hoist Test

In order to ensure safety, hoist must pass the test:

1. Static load test: $1.25 \times \text{Rated load (t)}$
2. Dynamic load test: $1.1 \times \text{Rated load (t)}$



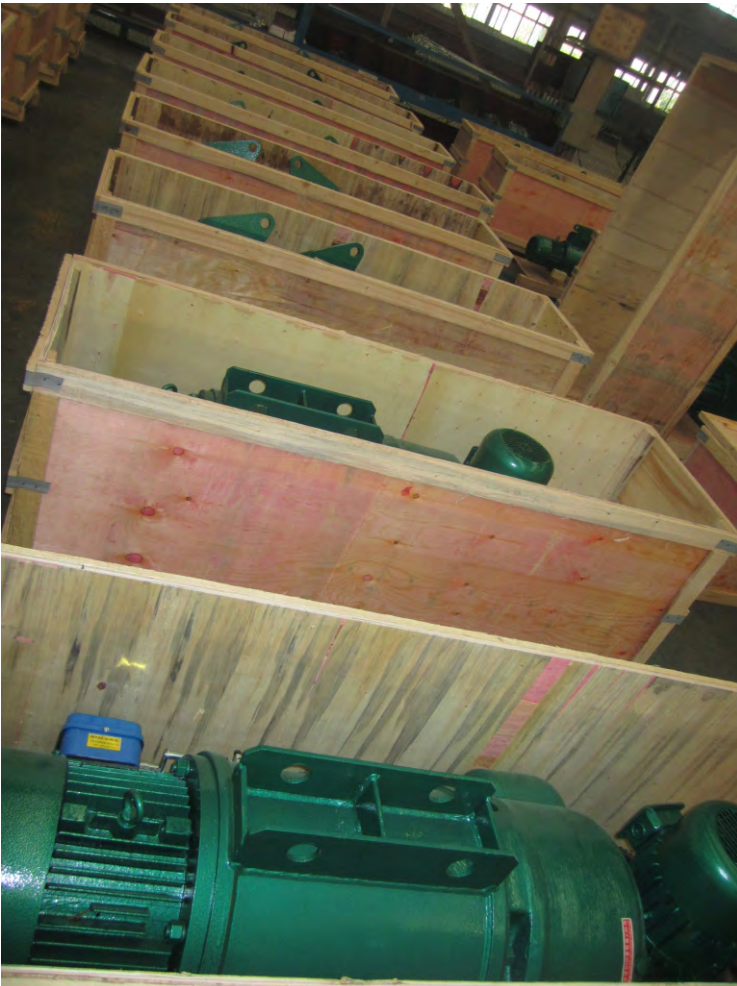
Hoist Workshop



Customers Visiting



Package and Delivery of Hoist





keeping industry on the move

Email: info@dgcrane.com Tel: +86-373-3876188

Fax: +86-373-3876088 M.p: +86-18638327972 Web: www.dgcrane.com

ADD: Unit 1, Gongyuan Int'l Building, Jinsui Road, Xinxiang City, Henan Province