

RHD蜂巢除湿机
Honeycycle dehumidifier



输送一体式除湿干燥机
All-in-one dehumidifier and loader



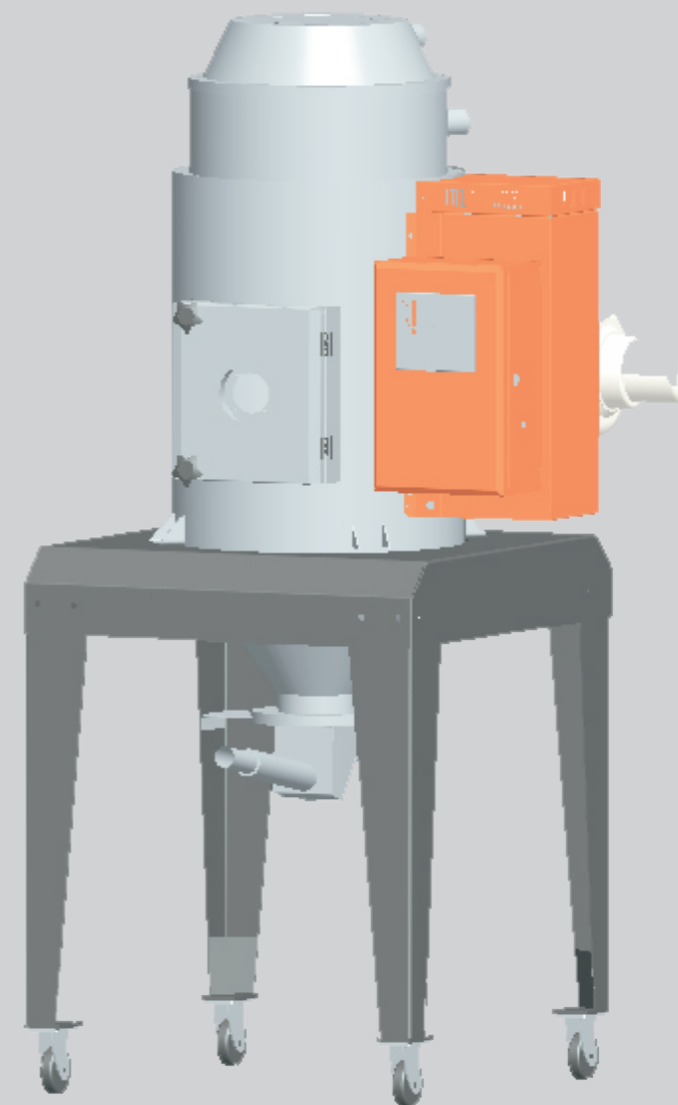
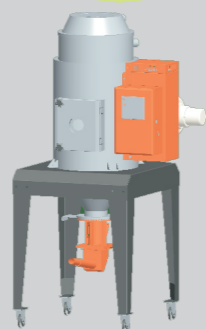
RCD箱型干燥机
Chamber dryer



RDM 料斗干燥机
Hopper dryer



RDM-U欧化干燥机
Europeanization dryer



除湿干燥系列机型主要用于对因包装、运输或者回收受潮的的塑胶原料的进行干燥，以确保塑胶产品在成型过程中的质量。根据塑料原料的种类、使用环境,以及塑胶产品成型质量所需求的干燥程度，可选用除湿干燥系列机型中的相关设备，对相应的塑胶原料进行干燥处理。

Dehumidifier and dryer series are suitable for drying plastic dehumidified material caused by packing, transportation and retrieving, to ensure the quality of plastic products in the molding process. Dehumidifying & drying machines can choose the correct model according to different kinds of plastic material, different working conditions and different drying time requirement for different plastic products quality requirement.

宁波北仑日宏机械制造有限公司
Ningbo Beilun Rhong Machinery Manufacturing Co.,Ltd

地址：浙江.宁波.北仑.小港街道.东岗碶.
Donggangqi, Xiaogang Subdistrict, Beilun,
Ningbo, Zhejiang Province, China.
T +86-574-55019001
F +86-574-55019017
E-mail: rhong@rhong.com.cn(CN)
rihongsales@plastic-auxiliary-equipment.com(EN)



CN



EN

更多咨询请访问：

www.rhong.com.cn (CN)
www.rhongmachinery.com (EN)
www.plastic-auxiliary-equipment.com (EN)

RHD蜂巢除湿机
Honeycycle dehumidifier
输送一体式除湿干燥机
All-in-one dehumidifier and loader
箱型干燥机
Chamber dryer
料斗干燥机
Hopper dryer
欧化干燥机
Europeanization dryer

RDM-U 系列欧化干燥机采用下吹风式结构,热风分散均匀,并且桶体采用双层保温,减少空气与桶内的热能交换,干燥能耗比普通斗式干燥机低,内外层均采用全不锈钢制造,外表美观,特别适合搭配除湿机来对工程塑胶的干燥。

RDM-U series European Standard dryer use air down-blowing design,the hot wind are distributed evenly barrel body adopts double layer insulation,reduce heat exchange between air and barrel,lower drying energy consumption than ordinary hopper dryer,inner and outer layers are made of stainless steel,polished appearance,especially suitable with dehumidifier drying the engineering plastics.

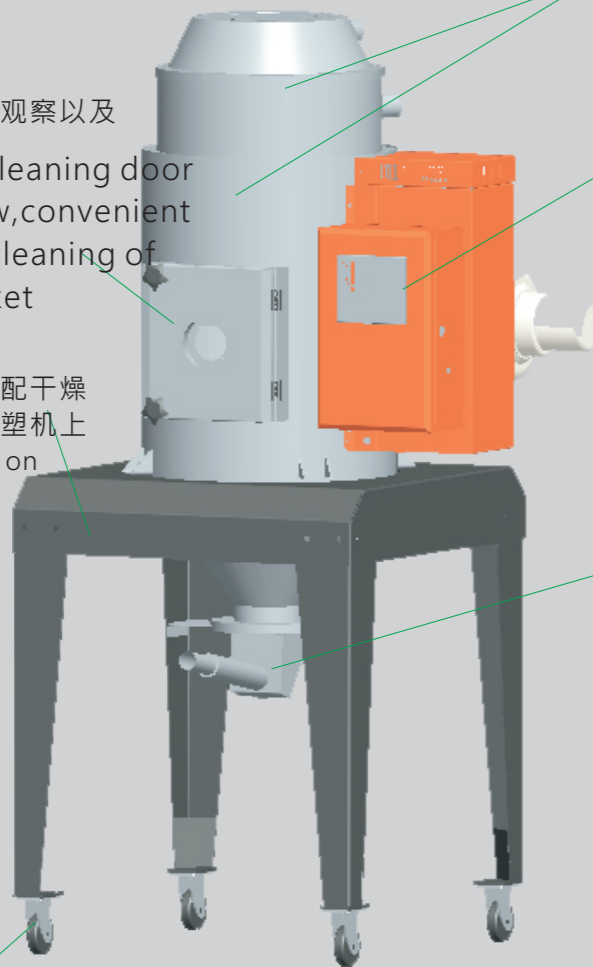
内外双层保温,且全不锈钢材质,外表美观
Inside and outside double layer insulation,all stainless steel material, beautiful appearance.

配带视窗清理门,方便观察以及清理桶内塑料。
Equipped with a cleaning door and with a window,convenient observation and cleaning of plastic in the bucket

液晶显示屏,可显示温度数值小至数点后一位,温控精度±1度。可实时查询故障原因
Liquid crystal display screen, display temperature value to one decimal place,temperature control accuracy is plus or minus 1 degree.Can query the cause of the fault in real time

配地上支架,也可以选配干燥机底座,直接安装于注塑机上
Equipped with Stents on the ground,can also choose a dryer base, install directly on the injection molding machine.

底部配置吸料盒,可连接吸料机送料至注塑机
The bottom equipped with material suction hopper can connect the loader to the injection molding machine.

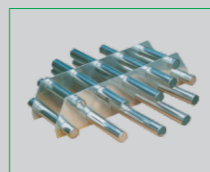


RDM-600U以下机型配移动脚轮,可随时移动到所需位置
RDM600U following model equipped with movable casters,can move to the desired position at any time.

可选配件
Optional spare parts



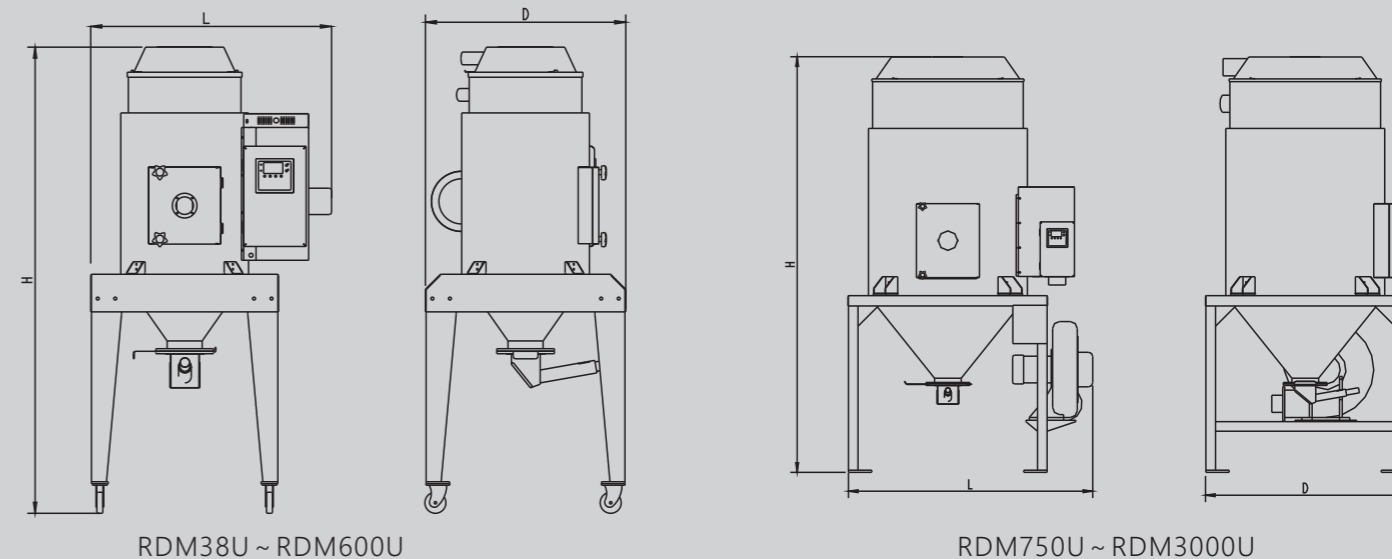
磁力底座
Magnetic Base



磁力架
Magnetic frame



热风回收装置
Hot wind recovery equipment



规格表 Specifications

机型 Model	保温料桶容量 Drying hopper capacity	干燥电热 Dryer power	风机功率 blower power	外形尺寸 LxDxH	风管尺寸	重量
	L	kw	w	mm	inch	kg
RDM-38U	38	3	135	700x700x1500	2	50
RDM-80U	80	4	155	830x800x1600	2	60
RDM-120U	120	4	155	960x800x1800	2	80
RDM-160U	160	5.5	210	1000x800x1820	2.5	100
RDM-230U	230	6	215	1050x1000x2020	2.5	120
RDM-300U	300	12	320	1150x900x2100	3	150
RDM-450U	450	15	320	1250x1000x2220	3	180
RDM-600U	600	18	340	1300x1200x2520	4	230
RDM-750U	750	20	340	1400x1200x2550	4	300
RDM-900U	900	22	1030	1480x1220x2500	5	450
RDM-1200U	1200	22	1030	1480x1220x2900	5	520
RDM-1500U	1500	32	3	1780x1450x3030	5	700
RDM-2000U	2000	32	3	1830x1500x3380	6	820
RDM-2500U	2500	58	5.5	2040x1800x3810	6	880
RDM-3000U	3000	58	5.5	2200x1800x3810	6	950

产品规格若有变更,恕不另行通知。
Please excuse for not note if some specifications of products are changed.

Note 注:

- 1)The machine voltage specification is 3Φ,380V,50Hz.
- 2)The voltage can be changed as you require.

- 1)机器电压规格为3Φ,380V,50Hz,
- 2)可以根据要求变更