

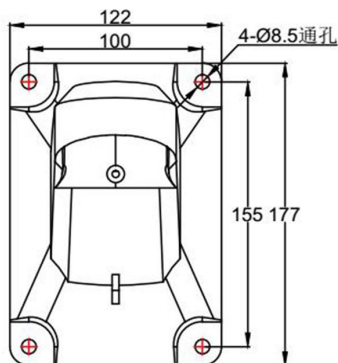
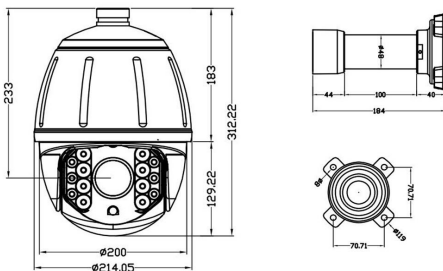
7" 36X 4.0/5.0MP High Speed HD-IP PTZ Camera with OSD



Features

- * 7" double layer metal body construction, IP66 rate protection
- * 1/2.8" Low Lux CMO2.00 Megapixels, 36X optical zoom
- * HD-IP digital interface output, 2.0MP high definition image
- * PWM function, intelligent IR illumination & power consumption is variable, dependant the zoom facto
- * IR distance 150M
- * Support P2P function, Android/iPhone view, OSD menu is available
- * Applicable scenarios: warehouses, underground parking lots, factories, street, a park, high speed motorway, etc

Dimension



| | |
|---------------------------|---|
| Product Name | 7" 36X 4.0/5.0MP High Speed HD-IP PTZ Camera with OSD |
| Camera | |
| Mode Number | WDM-IP8816HR/36X |
| Image Sensor | Mstat316DM+4689 |
| Effective Pixels | 1/3" low lux CMOS, 4.0/5.0 Megapixels |
| Min. Illumination | Color; 0.05Lux@(F1.6, AGC ON) ; 0.01Lux@(F1.6, AGC ON) |
| Zoom | 36X optical zoom, lens f= 4.6mm-165mm |
| Day/Night | Day / Night / External control (IR Cut Filter) |
| SNR | ≥50dB(AGC OFF) |
| WDR | Digital WDR≥70dB |
| AGC | Auto / Manual |
| White balance | Auto/Manual /ATW/Indoor/Outdoor/Daylight lamp/Sodium lamp |
| Digital noise Reduction | DNR, 3DNR |
| Network | |
| Video Compression | H.265/H.264/M-JPEG |
| Max Image Size | 2688*1520@ 20fps |
| Streams | Dual streams |
| Frame Rate | Main stream: 2.0MP: 1920*1080, 1-25fps |
| | Main stream: 4.0MP: 2688*1520, 1-20fps |
| Bitrate | CBR/VBR, bitrate; 32Kbps~10Mbps variable |
| Audio Compression | G711/ACC |
| P2P | Android / IOS |
| Protocols | TCP/IP, HTTP, NTP, IGMP, DHCP, UDP, SMTP, RTP, RTSP, ARP, DDNS, DNS, PPPoE, P2P |
| Motion detect | Support |
| Privacy Zone Masking | Support |
| Onvif | Onvif 2.4 |
| IR parameters | |
| Night vision distance | 150M |
| Dome Features | |
| Pan Range | 360° continued rotation |
| Tilt Range | 0~93°(Auto Flip) |
| Manual pan speed | 0-120°/s |
| Manual tilt speed | 0-60°/s |
| Proportional transmission | Automatic matching of speed and focal length |
| Preset points | 220 |
| Operation OSD language | Chinese /English |
| General | |
| Work temperature | -40℃ ~ +70℃ |
| Work Humidity | 0%~95% (Non condensing) |
| Temperature control | Intelligent control |
| Power | DC12V(3A) / AC24V (3A) |
| Consumption | ≤15W |
| Lightning Protection | Transient Voltage 6000V |