

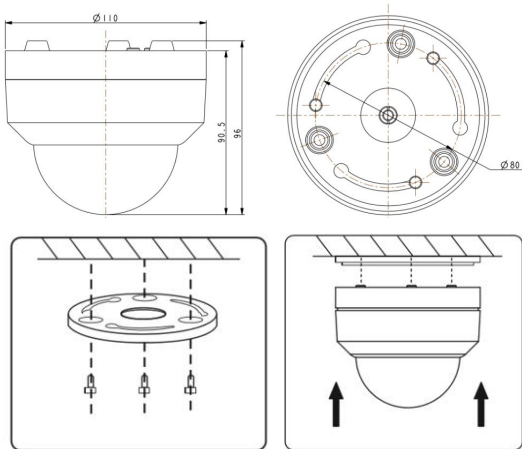
**Wdm 4X 2.0MP Security IR Dome Video Surveillance PTZ AHD Camera**



**Features**

- \* HD-AHD Dome Camera, indoor
- \* 1/3" 2.0M Pixl Sony CMOS
- \* High definition 1080P,4X Zoom
- \*OSD menu available, IR Range:50m
- \*Long distance transmission up to 500 meters over coax cable
- \* Real time transmission ,lossless video
- \* Pan/Tilt/Zoom, A-B scan, tour available

**Dimension**



**Accessories**

- Instruction book
- Warrant card
- Screw fittings
- Desiccant

**Specifications**

Product Name	Wdm 4X 2.0MP Security IR Dome Video Surveillance PTZ AHD Camera	
Model NO.	WDM-AHD6846F	WDM-AHD6846S
<b>Camera</b>		
Image Sensor	1/3" 2.0M pixels CMOS Nextchip 2441+Sensor Sony 323	1/2.8" 2.0M pixels CMOS Nextchip 2441+Sensor Sony 307
Lens	vari focal lens 4X Zoom f=2.8mm ~ 12mm	vari focal lens 4X Zoom =2.8mm ~ 12mm
Image Resolution	HD:1080p/30fps /1080p/25fps	
Effective Pixels	2.0MP(1920x1080)	
TV System	PAL/NTSC	
Electronic Shutter	AUTO/ 1/50 (1/60)-1/100,000sec	
Min.illumination	0.05lux (color), 0.005lux (B/W), 0lux (IR)	
S/N Rate	>=50db	
White Balance	Auto	
IR-Cut	Auto	
IR Control	PWM	
IR Range	50m	

**Dome**

Horizontal Rotation Range	350°
Title Rotation Range	70°
Pan speed	200°/sec
Tilt Speed	100°/sec
Ratio Speed	Support
Preset Points	220
Guard Tours	3 Groups
Guard Points	Max.16 points
OSD Menu	Multiple languages for OSD Menu
Park time	1-60mins setting available
Baud Rate	1200/2400/4800/9600bps
Video Output	AHD/CVI/TVI/CVBS selectable
Communication mode	UTC&RS485 Coaxial cable

**General**

Certification	CE, FCC, RoHS
Operating Temperature	-20℃ - +60℃
Operating Humidity	<=95%
Power supply	DC12V4A
Lightning Protection	Transient voltage 6000V