

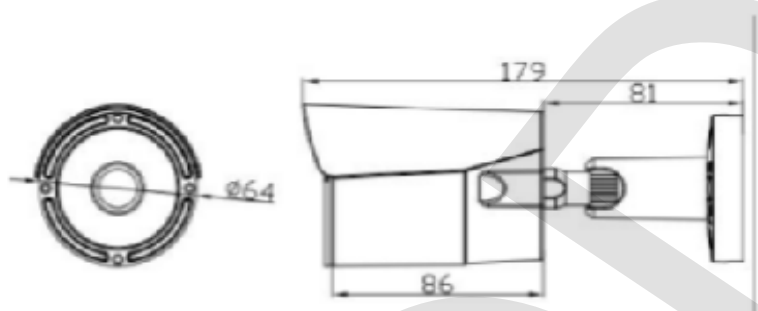
H.265 5.0MP CCTV Video Surveillance IR Bullet IP HD Camera



Features

- * Hisilicon high-performance DSP
- * High quality progressive scanning CMOS
- * H.265/H.264 High profile
- * Support dual stream, support mobile phone
- * Support power supply DC12V/POE
- * Standard ONVIF Protocol, support multi network protocols
- * Metal case, Waterproof IP66

Dimension



Accessories

- User Manual
- CD
- Screw fittings

Specification

Product Name	H.265 5.0MP CCTV Video Surveillance IR Bullet IP HD Camera	
Model No.	WDM-HIP9500A	
Video		
System	Hi3516A+OS05A10	
Sensor	1/2.8" 5.0M Pixels Progressive CMOS Image Sensor	
Output resolution	5.0MP(2592x1944)	
D/N Mode	Auto switching, black and white video and IR cut action linkage	
Illumination	0.05Lux@F1.2 (Color), 0Lux@F1.2(B/W)	
SNR	≥50db(AGC OFF)	
Gain Control	Auto	
DNR	3DNR	
WDR	DWDR(>80dB)	
Video processing	H.265/H.264 video compression, dual streaming	
	AVI format, 0.5M~8Mbps adjustable;	
Video Output	Main streaming	2592*1944,2592*1520,2048*15361920*1080
	Sub streaming	D1,VGA,CIF
Frame rate	2592*1944@25/30fps, support 1~25/30fps/s adjustable	
Network interface	RJ45 ethernet,10/100M;RTSP/FTP/PPPOE/DHCP/DDNS/NTP/UPnP protocol supported	
Access Protocol	Standard ONVIF Protocol, Support third party access; PC;	
	Support IE6.0 and above Smartphone	
	Support Android/iPhone	
Lens		
Lens	Standard 4mm lens(6mm lens optional)	
View Angle	4mm lens(6MP F2.0 1/2.8" H 80.7°); 6mm lens(6MP F2.0 1/2.8" H 52.7°)	
IR distance	15-20m(36pcs F5 IR leds)	
Function		
Function	Support WEB configuration, OSD,real-time video transmission	
	Support motion detection	
	Support front end storage ,playback and download	
	Support uniform client and platform system application	
	Support complete SDK for second development.	
Normal		
Material	Metal Case, White	
Weather Proof	IP66 Waterproof, Weather Resistance	
Power supply	DC12V/POE(18W) optional	
Operation temperature	-20°C~+60°C,10%~90%RH	