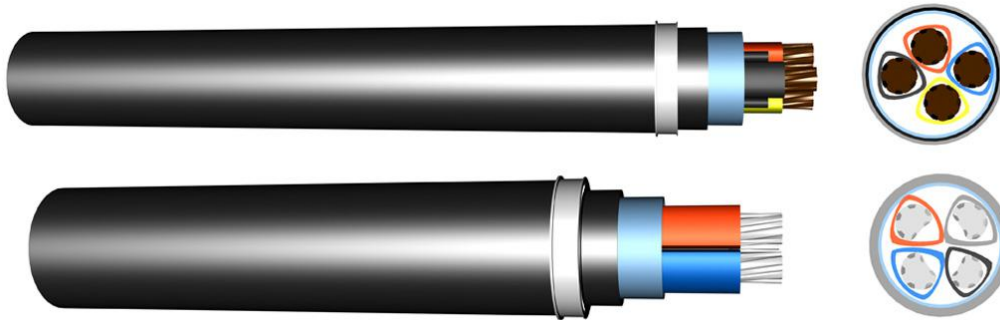




**BEIJING HUAYUAN GAOKE CABLE CO.,LTD.**  
**Daxing Industrial District, Beijing, China**  
 www.bjhygkable.com Tel: +86-010-80261008 Fax: +86-010-89233216

**PVC Insulated Electrical Cable For Rated Voltage 0.6/1KV**



■ **Product Standard**

GB/T12706.1-2002, equivalent to IEC60502

■ **Usage**

This product is suitable for use in rated AC voltage ( $U_0/U$ )0.6/1KV circuit for transmitting and distributing electricity.

■ **Type of cable**

Type	Designation	Application
VV	Copper conductor, PVC insulated and PVC sheathed electrical cable.	For laying indoors, in tunnel or cable trench, unable to bear external mechanical forces. Single core cable in magnetic duct is not permissible.
VLV	Aluminum conductor, PVC insulated and PVC sheathed electrical cable.	
VY	Copper conductor, PVC insulated and PE sheathed electrical cable.	
VLY	Aluminum conductor, PVC insulated and PE sheathed electrical cable.	
VV22	Copper conductor, PVC insulated, steel tape armored and PVC sheathed electrical cable.	For laying indoors, in tunnel, cable trench, or direct in ground, able to bear external mechanical forces but unable to bear large pulling force.
VLV22	Aluminum conductor, PVC insulated, steel tape armored and PVC sheathed electrical cable.	
VV23	Copper conductor, PVC insulated, steel tape armored and PE sheathed electrical cable.	
VLV23	Aluminum conductor, PVC insulated, steel tape armored and PE sheathed electrical cable.	
VV32	Copper conductor, PVC insulated, fine steel wire armored and PVC sheathed electrical cable.	For laying indoors, in tunnel, cable trench, well or direct in ground, able to bear external mechanical forces and certain pulling force.
VLV32	Aluminum conductor, PVC insulated, fine steel wire armored and PVC sheathed electrical cable.	
VV33	Copper conductor, PVC insulated, fine steel wire armored and PE sheathed electrical cable.	
VLV33	Aluminum conductor, PVC insulated, fine steel wire armored and PE sheathed electrical cable.	

■ **Production range of cable**

Type		No. of cores	Nominal cross-sectional area of conductor mm <sup>2</sup>
Copper Conductor	Aluminum Conductor		
VV VY	—	1	1.5~800
—	VLV VLY		2.5~800
VV22 VV23	VLV22 VLV23		10~800

*Infinite Power*

*Achieve Infinite Light*



HUAYUAN YONGTONG

**BEIJING HUAYUAN GAOKE CABLE CO.,LTD.**

**Daxing Industrial District, Beijing, China**

www.bjhygkable.com Tel: +86-010-80261008 Fax: +86-010-89233216

VV VY — VV22 VV23 — VV32 VV33	— VLV VLY — VLV22 VLV23 VLV32 VLV33	2	1.5~300 2.5~300 4~300 4~300 10~300
VV VY — VV22 VV23 — VV32 VV33	— VLV VLY — VLV22 VLV23 VLV32 VLV33	3	1.5~400 2.5~400 4~400 4~400 10~400
VV VY — VV22 VV23 — VV32 VV33	— VLV VLY — VLV22 VLV23 VLV32 VLV33	4	1.5~400 2.5~400 4~400 4~400 10~400
VV VY — VV22 VV23 — VV32 VV33	— VLV VLY — VLV22 VLV23 VLV32 VLV33	3+1	1.5~400 4~400 4~400 4~400 10~400
VV VY — VV22 VV23 — VV32 VV33	— VLV VLY — VLV22 VLV23 VLV32 VLV33	5	1.5~400 2.5~400 4~400 4~400 10~400
VV VY — VV22 VV23 — VV32 VV33	— VLV VLY — VLV22 VLV23 VLV32 VLV33	4+1	1.5~400 4~400 4~400 4~400 10~400
VV VY — VV22 VV23 — VV32 VV33	— VLV VLY — VLV22 VLV23 VLV32 VLV33	3+2	1.5~400 4~400 4~400 4~400 10~400

Note: The armored single-core cables are used for D.C. system only. As for A.C. system, non-magnetic armor material should be used, or magnetic isolation should be applied.

■ **Product data of cable**

**0.6/1KV 1-Core PVC Insulated, PVC/PE Sheathed Power Cable**

*Infinite Power*

*Achieve Infinite Light*



**BEIJING HUAYUAN GAOKE CABLE CO.,LTD.**  
**Daxing Industrial District, Beijing, China**  
 www.bjhygkable.com Tel: +86-010-80261008 Fax: +86-010-89233216

Nominal cross-sectional area mm <sup>2</sup>	Diameter of conductor mm	VV VLV VY VLY			VV22 VLV22 VLV23 VLY23		
		Approx overall diameter mm	Cable weight, max kg/km		Approx overall diameter mm	Cable weight, max kg/km	
			VV VY	VLV VLY		VV22 VV23	VLV22 VLV23
1×1.5	0.8	5.8	56	—	—	—	—
1×2.5	0.8	6.2	69	54	—	—	—
1×4	1.0	7.0	94	70	—	—	—
1×6	1.0	7.6	119	82	—	—	—
1×10	1.0	8.9	173	111	12.3	253	191
1×16	1.2	9.9	239	140	13.3	328	229
1×25	1.2	11.8	357	200	15.0	453	296
1×35	1.4	13.0	461	243	16.2	565	347
1×50	1.4	14.9	614	318	17.9	723	427
1×70	1.6	16.7	834	407	19.7	956	530
1×95	1.6	19.2	1132	539	22.0	1260	667
1×120	1.6	20.8	1384	636	23.6	1523	774
1×120*	1.8	19.5	1334	604	22.3	1464	735
1×150	1.8	22.8	1679	760	25.6	1831	912
1×150*	2.0	21.5	1653	736	24.3	1796	879
1×185	2.0	25.0	2065	912	27.8	2233	7081
1×185*	2.2	23.4	1949	855	26.2	2107	1013
1×240	2.2	28.1	2663	1149	30.9	2751	1337
1×240*	2.4	26.1	2505	1073	28.9	2680	1249
1×300	2.4	30.9	3296	1397	34.7	3570	1670
1×300*	2.6	28.7	3162	1324	33.7	3695	1857
1×400	2.6	34.3	4155	1725	39.5	4803	2373
1×400*	2.8	32.1	4046	1659	37.3	4655	2268
1×500	2.8	38.0	5192	2129	43.2	5903	2840
1×500*	2.8	35.7	5136	2074	40.9	5806	2744
1×630	2.8	41.9	6480	2596	47.0	7254	3371
1×630*	2.8	39.3	6337	2510	44.5	7065	3238
1×800	2.8	46.1	8091	3172	51.3	8935	4017

\*Compacted conductor

1. Conductor
2. Insulation
3. Sheath

*Infinite Power*

*Achieve Infinite Light*



**BEIJING HUAYUAN GAOKE CABLE CO.,LTD.**  
**Daxing Industrial District, Beijing, China**  
 www.bjhygkable.com Tel: +86-010-80261008 Fax: +86-010-89233216

### 0.6/1KV 2-Core PVC Insulated, PVC/PE Sheathed Power Cable

Nominal cross-sectional area mm <sup>2</sup>	Diameter of conductor mm	VV VLV VY VLY			VV22 VLV22 VV23 VLV23			VV32 VLV32 VV33 VLV33		
		Approx overall diameter mm	Cable weight, max kg/km		Approx overall diameter mm	Cable weight, max kg/km		Approx overall diameter mm	Cable weight, max kg/km	
			VV VY	VLV VLY		VV22 VV23	VLV22 VLV23		VV32 VV33	VLV32 VLV33
2×1.5	0.8	10.4	109	—	—	—	—	—	—	—
2×2.5	0.8	11.2	137	106	—	—	—	—	—	—
2×4	1.0	12.9	192	142	14.7	304	255	—	—	—
2×6	1.0	13.9	244	170	15.7	367	292	—	—	—
2×10	1.0	16.5	362	235	18.3	495	368	22.1	1020	892
2×16	1.0	18.6	505	303	20.4	655	454	24.2	1241	1040
2×25	1.2	22.0	748	429	23.8	929	610	27.6	1613	1294
2×35	1.2	24.3	971	528	26.1	1172	729	30.1	1934	1492
2×50*	1.4	21.2	1120	559	23.0	1293	733	27.2	1977	1417
2×70*	1.4	23.6	1555	745	27.4	1999	1190	30.8	2746	1937
2×95*	1.6	27.8	2112	988	31.2	2627	1504	34.6	3475	2352
2×120*	1.6	29.8	2596	1179	33.2	3147	1731	37.6	4412	2995
2×150*	1.8	36.2	3220	1471	39.6	3891	2143	44.4	5445	2697
2×185*	2.0	38.0	3946	1759	41.4	4645	2458	46.2	6255	4068
2×240*	2.2	51.8	5501	2595	55.2	6460	3554	60.2	8636	5730
2×300*	2.4	57.2	6951	3219	60.6	8011	4279	66.0	10460	6728

\*Compacted conductor

1. Conductor
2. Insulation
3. Tape
4. Inner covering
5. Armor
6. Filler
7. Oversheath

### 0.6/1KV 3-Core PVC Insulated, PVC/PE Sheathed Power Cable

Nominal cross-sectional area mm <sup>2</sup>	Diameter of conductor mm	VV VLV VY VLY			VV22 VLV22 VV23 VLV23			VV32 VLV32 VV33 VLV33		
		Approx overall diameter mm	Cable weight, max kg/km		Approx overall diameter mm	Cable weight, max kg/km		Approx overall diameter mm	Cable weight, max kg/km	
			VV VY	VLV VLY		VV22 VV23	VLV22 VLV23		VV32 VV33	VLV32 VLV33
3×1.5	0.8	10.8	132	—	—	—	—	—	—	—

*Infinite Power*

*Achieve Infinite Light*



**BEIJING HUAYUAN GAOKE CABLE CO.,LTD.**  
**Daxing Industrial District, Beijing, China**  
 www.bjhygkable.com Tel: +86-010-80261008 Fax: +86-010-89233216

3×2.5	0.8	11.7	171	125	—	—	—	—	—	—
3×4	1.0	13.5	244	144	15.3	363	289	—	—	—
3×6	1.0	14.7	318	206	16.5	447	335	—	—	—
3×10	1.0	17.4	479	289	19.2	620	429	23.0	1172	981
3×16	1.0	19.7	680	378	21.5	840	538	25.3	1457	1155
3×25	1.2	23.4	1021	542	25.2	1213	734	29.0	1936	1458
3×35	1.2	25.9	1337	673	27.7	1551	887	31.7	2359	1695
3×50*	1.4	25.5	1634	793	27.3	1844	1004	31.3	2906	2065
3×70*	1.4	28.0	2272	1058	30.4	2818	1604	34.8	3727	2514
3×95*	1.6	32.2	3113	1428	34.8	3741	2056	39.0	5178	3494
3×120*	1.6	35.9	3844	1719	38.3	4521	2396	42.5	6087	3962
3×150*	1.8	40.0	4375	2113	41.4	5489	2866	48.2	7241	4619
3×185*	2.0	44.1	5879	2598	45.3	6702	3421	52.3	8620	5339
3×240*	2.2	49.0	7629	3317	50.2	8555	4243	57.6	10720	6408
3×300*	2.4	52.5	9502	4092	54.1	10524	5114	61.1	12929	7519
3×400*	2.6	59.2	12773	5504	60.4	14053	6785	69.7	18134	10865

\*Compacted conductor

1. Conductor
2. Insulation
3. Tape
4. Inner covering
5. Armor
6. Filler
7. Oversheath

**0.6/1KV 4-Core PVC Insulated, PVC/PE Sheathed Power Cable**

Nominal cross-sectional area mm <sup>2</sup>	Diameter of conductor mm	VV VLV VY VLY			VV22 VLV22 VV23 VLV23			VV32 VLV32 VV33 VLV33		
		Approx overall diameter mm	Cable weight, max kg/km		Approx overall diameter mm	Cable weight, max kg/km		Approx overall diameter mm	Cable weight, max kg/km	
			VV	VLV		VV22	VLV22		VV32	VLV32
4×1.5	0.8	11.6	160	—	—	—	—	—	—	—
4×2.5	0.8	12.6	211	149	—	—	—	—	—	—
4×4	1.0	14.7	304	206	16.5	434	336	—	—	—
4×6	1.0	15.9	400	250	17.7	542	392	—	—	—
4×10	1.0	19.0	609	355	20.8	764	510	24.6	1362	1108
4×16	1.0	21.1	871	468	23.4	1048	645	27.2	1719	1316
4×25	1.2	25.7	1316	678	27.5	1529	891	31.5	2333	1695

*Infinite Power*

*Achieve Infinite Light*



**BEIJING HUAYUAN GAOKE CABLE CO.,LTD.**  
**Daxing Industrial District, Beijing, China**  
 www.bjhygkable.com Tel: +86-010-80261008 Fax: +86-010-89233216

4×35	1.2	28.5	1732	846	30.3	1969	1084	35.3	3145	2260
4×50*	1.4	28.3	2160	1040	32.1	2703	1583	35.1	3557	2437
4×70*	1.4	31.7	3029	1411	35.7	3616	1999	39.3	4607	2989
4×95*	1.6	38.7	4126	1880	41.3	4845	2599	46.9	6498	4252
4×120*	1.6	42.2	5104	2271	45.4	5866	3032	51.3	7674	4841
4×150*	1.8	47.9	6266	2770	51.1	7124	3628	57.1	9126	5630
4×185*	2.0	53.3	7763	3388	56.3	8702	4327	63.8	10895	6520
4×240*	2.2	58.3	10046	4296	60.9	11097	5347	68.6	13562	7813
4×300*	2.4	62.3	12523	5310	66.1	13693	6480	72.6	17419	10206
4×400*	2.6	64.6	16851	7159	71.4	18282	8590	78.3	22858	13167

\*Compacted conductor

1. Conductor
2. Insulation
3. Tape
4. Inner covering
5. Armor
6. Filler
7. Oversheath

**0.6/1KV 3+1-Core PVC Insulated, PVC/PE Sheathed Power Cable**

Nominal cross-sectional area mm <sup>2</sup>	No. of Cores	Diameter of conductor mm	VV VLV VY VLY			VV22 VLV22 VV23 VLV23			VV32 VLV32 VV33 VLV33		
			Approx overall diameter mm	Cable weight, max kg/km		Approx overall diameter mm	Cable weight, max kg/km		Approx overall diameter mm	Cable weight, max kg/km	
				VV	VLV VLY		VV22 VV23	VLV22 VLV23		VV32 VV33	VLV32 VLV33
3×1.5+1×1.0	3	0.8	11.4	153	—	—	—	—	—	—	—
	1	0.8									
3×2.5+1×1.5	3	0.8	12.3	198	—	—	—	—	—	—	—
	1	0.8									
3×4+1×2.5	3	1.0	14.1	280	191	16.9	412	322	—	—	—
	1	0.8									
3×6+1×4	3	1.0	15.6	375	238	18.4	521	384	—	—	—
	1	1.0									
3×10+1×6	3	1.0	18.2	555	327	21.0	709	482	23.8	1276	1049
	1	1.0									
3×16+1×10	3	1.0	20.9	804	438	23.7	981	616	26.5	1625	1260

*Infinite Power*

*Achieve Infinite Light*



**BEIJING HUAYUAN GAOKE CABLE CO.,LTD.**  
**Daxing Industrial District, Beijing, China**  
 www.bjhygkable.com Tel: +86-010-80261008 Fax: +86-010-89233216

	1	1.0									
3×25+1×16	3	1.2	24.6	1202	622	27.4	1412	833	30.4	2177	1597
	1	1.0									
3×35+1×16	3	1.2	26.7	1511	746	29.5	1740	975	32.5	2564	1799
	1	1.0									
3×50+1×25	3*	1.4	28.3	1973	972	30.9	2214	1215	35.1	3395	2395
	1	1.2									
3×70+1×35	3*	1.4	32.3	2721	1286	34.0	3329	1895	38.4	4385	2951
	1	1.2									
3×95+1×50	3*	1.6	36.7	3699	1715	39.3	4424	2440	43.7	5614	3630
	1	1.4									
3×120+1×70	3*	1.6	40.3	4661	2102	42.3	5448	2890	43.9	7320	4762
	1	1.4									
3×150+1×70	3*	1.8	46.1	5567	2512	46.8	6431	3376	51.7	8421	5366
	1	1.4									
3×185+1×95	3*	2.0	49.8	6979	3098	52.1	7902	4020	59.1	10144	6263
	1	1.6									
3×240+1× 120	3*	2.2	54.6	8957	3886	56.8	10013	4942	65.4	12524	7453
	1	1.6									
3×300+1× 150	3*	2.4	58.9	11149	4807	61.2	12325	5983	72.1	15148	8806
	1	1.8									
3×400+1× 185	3*	2.6	66.9	14559	6181	69.1	15890	7511	82.4	20463	12084
	1*	2.0									

\*Compacted conductor

1. Conductor
2. Insulation
3. Tape
4. Inner covering
5. Armor
6. Filler
7. Oversheath

### 0.6/1KV 5-Core PVC Insulated, PVC/PE Sheathed Power Cable

Nominal cross-sectional area mm <sup>2</sup>	Diameter of conductor mm	VV VLV VY VLY				VV22 VLV22 VV23 VLV23				VV32 VLV32 VV33 VLV33			
		Approx overall diameter mm	Cable weight, max kg/km		Approx overall diameter mm	Cable weight, max kg/km		Approx overall diameter mm	Cable weight, max kg/km				
			VV VY	VLV VLY		VV22 VV23	VLV22 VLV23		VV32 VV33	VLV32 VLV33			

*Infinite Power*

*Achieve Infinite Light*



**BEIJING HUAYUAN GAOKE CABLE CO.,LTD.**  
**Daxing Industrial District, Beijing, China**  
 www.bjhygkable.com Tel: +86-010-80261008 Fax: +86-010-89233216

5×1.5	0.8	12.4	189	—	—	—	—	—	—	—
5×2.5	0.8	13.5	251	174	—	—	—	—	—	—
5×4	1.0	15.8	366	243	17.6	508	385	—	—	—
5×6	1.0	17.3	484	297	19.1	651	464	—	—	—
5×10	1.0	20.7	742	425	22.5	924	607	26.3	1559	1241
5×16	1.0	23.6	1068	564	25.4	1276	772	29.2	1989	1486
5×25	1.2	28.2	1619	821	30.0	1871	1073	34.2	2745	1947
5×35	1.2	31.5	2150	1043	32.2	2755	1649	38.3	3697	2591
5×50	1.4	36.4	2889	1391	40.2	3588	2089	43.2	4661	3163
5×50*	1.4	34.8	2788	1329	38.6	3460	2001	41.6	4483	3025
5×70	1.4	42.1	4051	1886	45.5	4835	2669	50.3	6620	4455
5×70*	1.4	39.6	3829	1767	43.0	4566	2504	47.8	6255	4194
5×95	1.6	48.7	5553	2551	52.1	6459	3456	57.1	8529	5526
5×95*	1.6	45.7	5339	2415	49.1	6188	3264	54.1	8138	5214
5×120	1.6	53.2	6866	3017	56.6	7856	4062	61.8	10138	6344
5×120*	1.6	49.7	6602	2904	53.1	7524	3827	58.3	9663	5965
5×150	1.8	58.8	8434	3772	62.2	9528	4866	67.6	12065	7403
5×150*	1.8	55.5	8283	3634	58.9	9313	4663	64.3	11711	7062
5×185	2.0	65.4	10500	4653	68.6	11683	5836	74.4	14525	8678
5×185*	2.0	61.0	9715	4165	60.2	10739	5189	70.0	13642	8092
5×240	2.2	74.0	13663	5978	77.4	15034	7349	84.7	19380	11694
5×240*	2.2	68.7	12813	5547	72.1	14083	6817	79.4	18132	10866
5×300	2.4	82.0	17027	7386	85.4	18546	8906	92.9	23378	13737
5×300*	2.4	76.1	16278	6948	79.5	17685	8356	87.0	22184	12854
5×400	2.6	91.9	21658	9327	96.5	24194	11863	103.0	28783	16452
5×400*	2.6	86.1	21017	8903	90.7	23388	11274	97.2	27700	15586

\*Compacted conductor

1. Conductor
2. Insulation
3. Tape
4. Inner covering
5. Armor
6. Filler
7. Oversheath

### 0.6/1KV 4+1-Core PVC Insulated, PVC/PE Sheathed Power Cable

Nominal cross-sectional	No. of	Diameter of	VV VLV VY VLY		VV22 VLV22 VV23 VLV23		VV32 VLV32 VV33 VLV33	
					Cable weight, max	Approx	Cable weight, max	

*Infinite Power*

*Achieve Infinite Light*





**BEIJING HUAYUAN GAOKE CABLE CO.,LTD.**  
**Daxing Industrial District, Beijing, China**  
 www.bjhygkable.com Tel: +86-010-80261008 Fax: +86-010-89233216

area mm <sup>2</sup>	Cores	conductor mm	Approx overall diameter mm	Cable weight, max kg/km		Approx overall diameter mm	kg/km		overall diameter mm	kg/km	
				VV	VLV		VV22	VLV22		VV32	VLV32
				VY	VLY		VV23	VLV23		VV33	VLV33
4×1.5+1×1.0	4	0.8	12.3	183	—	—	—	—	—	—	—
	1	0.8									
4×2.5+1×1.5	4	0.8	13.3	239	—	—	—	—	—	—	—
	1	0.8									
4×4+1×2.5	4	1.0	15.4	343	229	17.2	480	366	—	—	—
	1	0.8									
4×6+1×4	4	1.0	17.0	460	286	18.8	613	439	—	—	—
	1	1.0									
4×10+1×6	4	1.0	20.0	690	399	21.8	853	562	25.6	1513	1222
	1	1.0									
4×16+1×10	4	1.0	23.0	1002	535	24.8	1191	724	28.6	1944	1478
	1	1.0									
4×25+1×16	4	1.2	27.3	1508	768	29.1	1734	995	33.1	2643	1904
	1	1.0									
4×35+1×16	4	1.2	29.7	1919	932	31.7	2180	1195	36.7	3475	2489
	1	1.0									
4×50+1×25	4*	1.4	33.7	2554	1235	36.9	3162	1843	40.5	4287	2968
	1	1.2									
4×70+1×35	4*	1.4	37.7	3465	1601	41.1	4168	2303	44.5	5384	3519
	1	1.2									
4×95+1×50	4*	1.6	43.5	4817	2186	46.9	5627	2996	51.7	7619	4988
	1	1.4									
4×120+1×70	4*	1.6	47.8	6053	2682	51.0	6917	3546	56.0	9103	5733
	1	1.4									
4×150+1×70	4*	1.8	52.3	7375	3244	55.7	8346	4214	60.9	10772	6641
	1	1.4									
4×185+1×95	4*	2.0	57.9	8955	3930	61.3	10026	5001	66.7	12710	7685
	1	1.6									
4×240+1× 120	4*	2.2	64.9	11547	4995	68.3	12747	6195	75.2	16801	10249
	1	1.6									
4×300+1× 150	4*	2.4	72.0	14652	6258	75.4	15983	7589	82.9	20560	12166
	1	1.8									
4×400+1× 185	4*	2.6	81.0	18734	7933	85.6	20968	10166	92.1	25403	14601
	1	2.0									

\*Compacted conductor

*Infinite Power*

*Achieve Infinite Light*



**BEIJING HUAYUAN GAOKE CABLE CO.,LTD.**  
**Daxing Industrial District, Beijing, China**  
 www.bjhygkable.com Tel: +86-010-80261008 Fax: +86-010-89233216

1. Conductor
2. Insulation
3. Tape
4. Inner covering
5. Armor
6. Filler
7. Oversheath

0.6/1KV 3+2-Core PVC Insulated, PVC/PE Sheathed Power Cable											
Nominal cross-sectional area mm <sup>2</sup>	No. of Cores	Diameter of conductor mm	VV VLV VY VLY			VV22 VLV22 VV23 VLV23			VV32 VLV32 VV33 VLV33		
			Approx overall diameter mm	Cable weight, max kg/km		Approx overall diameter mm	Cable weight, max kg/km		Approx overall diameter mm	Cable weight, max kg/km	
				VV VY	VLV VLY		VV22 VV23	VLV22 VLV23		VV32 VV33	VLV32 VLV33
3×1.5+2×1.0	3	0.8	12.2	176	—	—	—	—	—	—	—
	2	0.8		—	—	—	—	—	—	—	—
3×2.5+2×1.5	3	0.8	13.1	226	—	—	—	—	—	—	—
	2	0.8		—	—	—	—	—	—	—	—
3×4+2×2.5	3	1.0	14.9	320	215	16.7	452	347	—	—	—
	2	0.8		—	—	—	—	—	—	—	—
3×6+2×4	3	1.0	16.7	437	276	18.5	586	425	—	—	—
	2	1.0		—	—	—	—	—	—	—	—
3×10+2×6	3	1.0	19.3	637	373	21.1	795	530	24.9	1440	1175
	2	1.0		—	—	—	—	—	—	—	—
3×16+2×10	3	1.0	22.4	937	507	24.2	1121	692	28.0	1859	1430
	2	1.0		—	—	—	—	—	—	—	—
3×25+2×16	3	1.2	26.4	1397	716	28.2	1615	934	32.2	2492	1812
	2	1.0		—	—	—	—	—	—	—	—
3×35+2×16	3	1.2	28.2	1703	838	30.0	1937	1072	34.2	2848	1983
	2	1.0		—	—	—	—	—	—	—	—
3×50+2×25	3*	1.4	31.7	2280	1100	35.5	2888	1709	38.5	3916	2736
	2	1.2		—	—	—	—	—	—	—	—
3×70+2×35	3*	1.4	36.0	3122	1453	39.2	3774	2105	42.8	4947	3279
	2	1.2		—	—	—	—	—	—	—	—
3×95+2×50	3*	1.6	41.4	4300	1962	44.8	5071	2733	48.8	6953	4615
	2	1.4		—	—	—	—	—	—	—	—

*Infinite Power*

*Achieve Infinite Light*



**BEIJING HUAYUAN GAOKE CABLE CO.,LTD.**  
**Daxing Industrial District, Beijing, China**  
 www.bjhygkable.com Tel: +86-010-80261008 Fax: +86-010-89233216

3×120+2×70	3*	1.6	45.7	5486	2443	49.1	6335	3092	53.2	8433	5390
	2	1.4									
3×150+2×70	3*	1.8	49.1	6476	2862	52.5	7388	3774	55.4	9671	6057
	2	1.4									
3×185+2×95	3*	2.0	54.9	8034	3535	58.3	9049	4550	63.1	11588	7089
	2	1.6									
3×240+2×120	3*	2.2	61.2	10293	4455	64.6	11424	5585	69.3	14277	8439
	2	1.6									
3×300+2×150	3*	2.4	67.9	13039	5581	71.3	14294	6836	76.2	18561	11103
	2	1.8									
3×400+2×185	3*	2.6	75.9	16474	6985	79.3	17877	8388	86.8	22702	13213
	2	2.0									

\*Compacted conductor

1. Conductor
2. Insulation
3. Tape
4. Inner covering
5. Armor
6. Filler
7. Oversheath

#### ■ Main technical data of cable

Nominal Cross sectional area of conductor mm <sup>2</sup>	Max. D.C. resistance of conductor at 20°C	
	Copper	Aluminum
1	18.1	—
1.5	12.1	—
2.5	7.41	12.1
4	4.61	7.41
6	3.08	4.61
10	1.83	3.08
16	1.15	1.91
25	0.727	1.20
35	0.524	0.868
50	0.387	0.641
70	0.268	0.443
95	0.193	0.320
120	0.153	0.253
150	0.124	0.206

*Infinite Power*

*Achieve Infinite Light*



**BEIJING HUAYUAN GAOKE CABLE CO.,LTD.**  
**Daxing Industrial District, Beijing, China**  
 www.bjhygkable.com Tel: +86-010-80261008 Fax: +86-010-89233216

185	0.0991	0.164
240	0.0754	0.125
300	0.0601	0.100
400	0.0470	0.0778
500	0.0366	0.0605
630	0.0283	0.0469
800	0.0221	0.0367
Power frequency A.C. voltage test KV/5min	3.5KV/5min Test voltage 3.5KV/5min	

■ **Current carrying capacity of cable**

0.6/1KV PVC insulated power cable									
Conductor	Nominal cross-sectional area of conductor mm <sup>2</sup>	In the air				Under the ground			
		Single-core		2-core	Multi-core	Single-core		2-core	Multi-core
		○ ○ ○	○○○			○ ○ ○	○○○		
Copper Conductor	1.5	20	23	17	15	24	27	26	22
	2.5	26	29	23	19	31	35	34	29
	4	34	38	32	26	40	46	44	36
	6	43	49	38	32	50	57	56	47
	10	59	67	53	46	68	77	76	65
	16	77	88	71	60	86	98	100	84
	25	98	111	90	77	111	126	125	110
	35	124	140	110	95	131	149	155	130
	50	148	168	135	115	160	181	185	155
	70	188	214	165	145	197	223	230	195
	95	230	260	211	185	234	265	275	230
	120	267	303	245	210	267	302	310	260
	150	307	349	280	245	299	339	350	300
	185	353	400	320	280	340	386	395	335
	240	418	475	—	335	394	446	—	390
	300	480	545	—	375	447	507	—	435
400	567	642	—	—	513	581	—	—	
500	656	745	—	—	582	660	—	—	
630	755	856	—	—	664	753	—	—	
800	871	987	—	—	746	846	—	—	
Aluminum Conductor	2.5	20	23	18	15	25	28	26	23
	4	26	30	24	20	32	36	35	30
	6	35	39	32	26	41	47	45	39

*Infinite Power*

*Achieve Infinite Light*



**BEIJING HUAYUAN GAOKE CABLE CO.,LTD.**  
**Daxing Industrial District, Beijing, China**  
 www.bjhygkable.com Tel: +86-010-80261008 Fax: +86-010-89233216

10	45	51	42	35	52	60	59	50
16	60	68	55	47	68	77	77	65
25	78	89	70	60	86	98	100	84
35	94	107	86	74	103	116	120	100
50	115	131	105	90	123	140	145	120
70	144	163	131	115	152	172	175	150
95	177	200	165	140	180	205	210	185
120	205	233	191	165	205	233	245	205
150	238	271	215	190	234	265	275	230
185	275	311	251	215	262	298	310	260
240	324	367	—	260	308	349	—	300
300	373	423	—	295	349	395	—	340
400	443	503	—	—	402	456	—	—
500	518	586	—	—	459	521	—	—
630	607	688	—	—	529	560	—	—
800	706	800	—	—	603	684	—	—

Note: The screen-copper-tape and steel wire (including all copper wire for magnetism separation) of single-core steel wire armored power cable for AC system must be connected to earth well and effectively.

The current carrying capacity is calculated by formulas of IEC. It is advised in the new edition of GB/T12706 that the current carrying capacity of steel wire armored power cable with special structure is lower than that in IEC standard, so the cross-section should be enlarged appropriately.

### ■ Installation and Operation Condition of Cable

#### In the air

1. The distance between centers of single-core cables laid in parallel: cross-sectional area of conductor  $\leq 185 \text{ mm}^2$ : 2 times of the cable diameter; cross-sectional area of conductor  $\geq 240 \text{ mm}^2$ : 90mm.
2. Ambient air temperature: 40°C
3. Max. Continuous operating temperature of conductor: 70°C

Current carrying rating factors for different ambient air temperature:

Ambient air temperature	20°C	25°C	30°C	35°C	40°C	45°C
Rating factor	1.29	1.22	1.15	1.08	1.0	0.91

#### Direct in the ground

1. The single-core cables are installed separately, the distance between the cable center is 2 times of the cable diameter.
2. Soil temperature: 25°C.
3. Max. Continuous operating temperature of conductor: 70°C.
4. Thermal resistivity of soil: 1.0°C. m/W.
5. Depth of direct-buried: 0.7m.

Current carrying rating factors for different soil temperature:

Soil temperature	20°C	25°C	30°C	35°C	40°C
Rating factor	1.04	1.0	0.96	0.92	0.87

*Infinite Power*

*Achieve Infinite Light*



**BEIJING HUAYUAN GAOKE CABLE CO.,LTD.**  
**Daxing Industrial District, Beijing, China**  
**www.bjhygkable.com Tel: +86-010-80261008 Fax: +86-010-89233216**

*Infinite Power*

*Achieve Infinite Light*