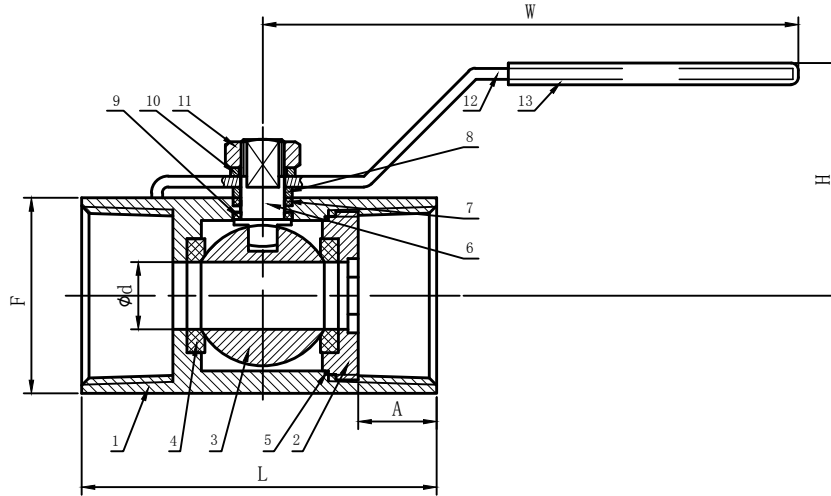
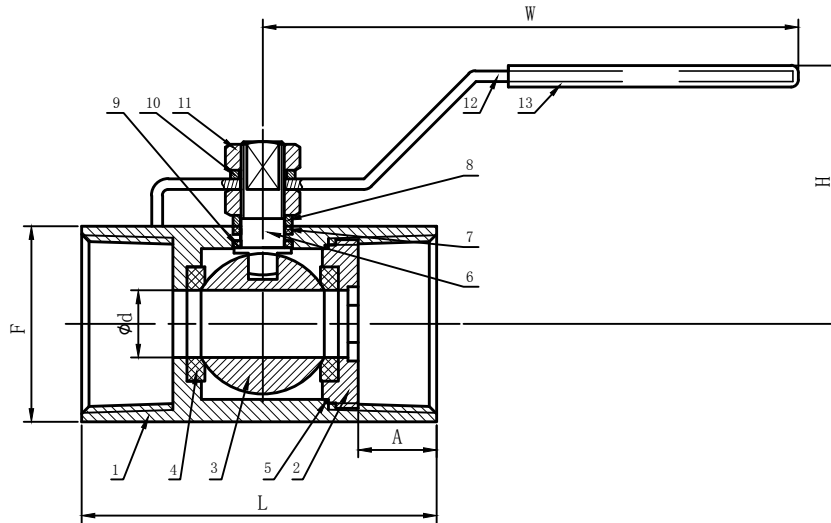


DN8-DN15

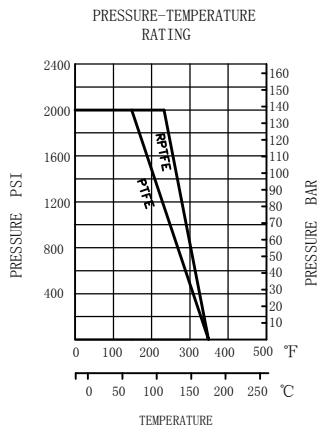


DN20-DN50



Features:

1. Pressure Rating: 2000PSI/PN138
2. Working Temperature: -10° C-150° C
3. Reduce Port
4. Hexagon Bar
5. Blow-out Proof Stem
6. Locking Device Handle (Option)
7. PED97/23 EC
8. Thread: ASME B1.20.1
- BS21, DIN2999/259, ISO228-1, IS07/1, JIS B 0203
9. Inspection Testing: API598, EN12516-2



DN50	32	114.3	152	120	29.4	75
DN40	25	101.6	146	78.7	29.6	61
DN32	20	93.7	146	74	27.8	55
DN25	15	85.9	120	65.4	25.5	46
DN20	12.5	69.9	118	59	22.3	36
DN15	9.2	62.5	118	55.5	17.4	30
DN10	7	47.2	66.7	33.9	12.2	25.4
DN8	5	43.2	66.7	31.8	12	21
SIZE	d	L	W	H	A	F

13	HANDLE SLEEVE	PLASITC	1
12	HANDLE	304	1
11	STEM NUT	304	1-2
10	SPRING WASHER	304	1
9	THRUST WASHER	PTFE	1
8	GLAND RING	304	1
7	STEM PACKING	PTFE	1
6	STEM	304/316	1
5	GASKET	PTFE	1
4	SEAT	PTFE/RPTFE	2
3	BALL	304/316	1
2	SEAT RETAINER	304/316	1
1	BODY	304/316	1
NO.	NAME	MATERIAL	Q' TY

制图	审核	材质	比例	备注
产品名称 1PC Ball Valve (CW BV-1HB)				
CangZhou Co-Win Metal Products Co., Ltd				