

Technical proposal for JX-CD2-890M960M-60S Duplexer

Revision History

Version	Date	Author	Revision description	Comment
V1.0	2018/11/30	Sam Chen	Created	/

JING XIN MICROWAVE TECHNOLOGY CO.,LTD

E-mail: cd-jingxin@139.com <http://www.cdjx-mw.com>

TEL: +86-28-85026087 FAX: +86-28-65941390

NO.33 WuQing South Road,Wuhou District, ChengDu,China. Zip Code:610045

Table of content

Technical proposal for JX-CD2-890M960M-60S Duplexer	1
1. Mechanical layout	3
2. Electrical analysis	4

Figures

Figure 1 JX-CD2-890M960M-60S Duplexer front panel layout	3
--	---

Tables

Table 1 Mechanical Specifications	3
Table 2 Electrical specifications	4

JING XIN MICROWAVE TECHNOLOGY CO.,LTD

E-mail: cd-jingxin@139.com <http://www.cdjx-mw.com>

TEL: +86-28-85026087 FAX: +86-28-65941390

NO.33 WuQing South Road,Wuhou District, ChengDu,China. Zip Code:610045

1. Mechanical layout

Table 1 Mechanical Specifications

Dimension	L x W x H: 125mm x 88mm x 34mm(± 0.2 mm)
Port connectors	SMA-Female
Finish	Ct.Ocd
Notes	Material shall be RoHS 6/6

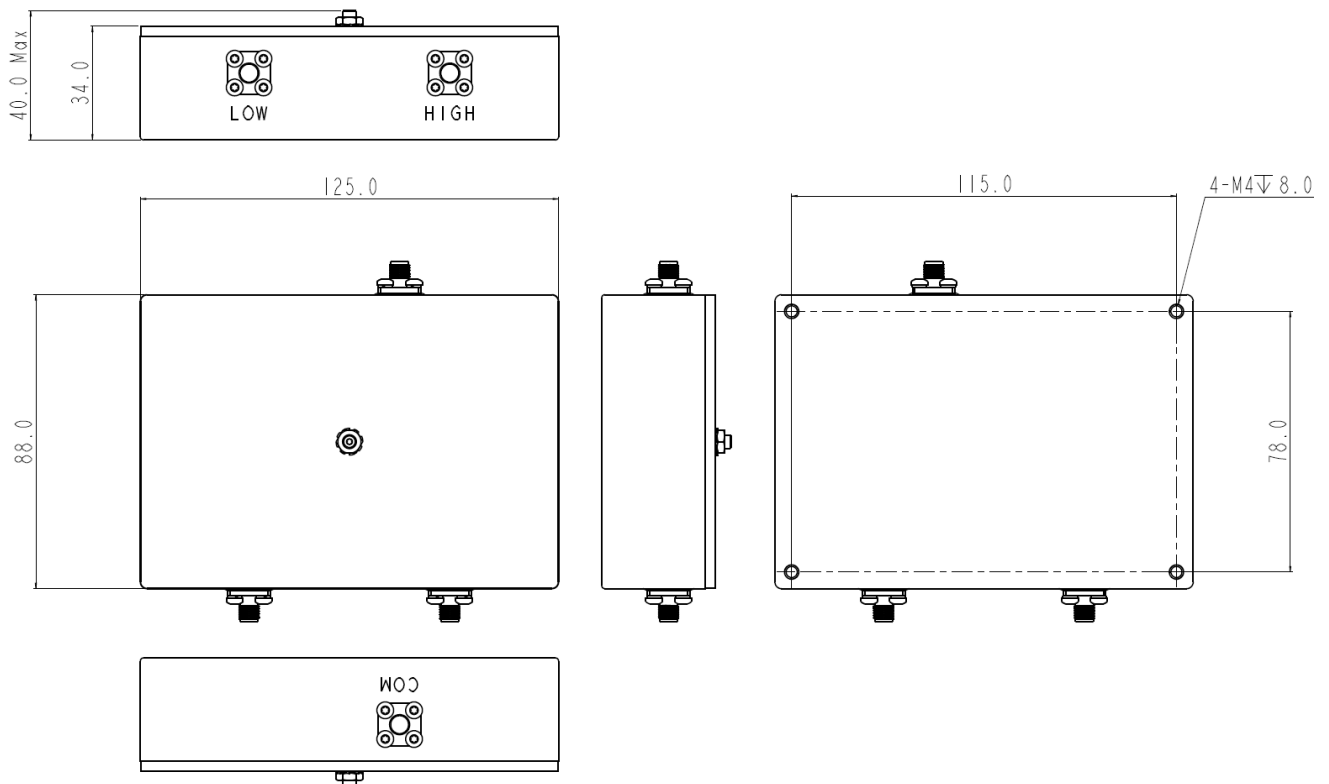


Figure 1 JX-CD2-890M960M-60S Duplexer front panel layout

JING XIN MICROWAVE TECHNOLOGY CO.,LTD

E-mail: cd-jingxin@139.com <http://www.cdjx-mw.com>

TEL: +86-28-85026087 FAX: +86-28-65941390

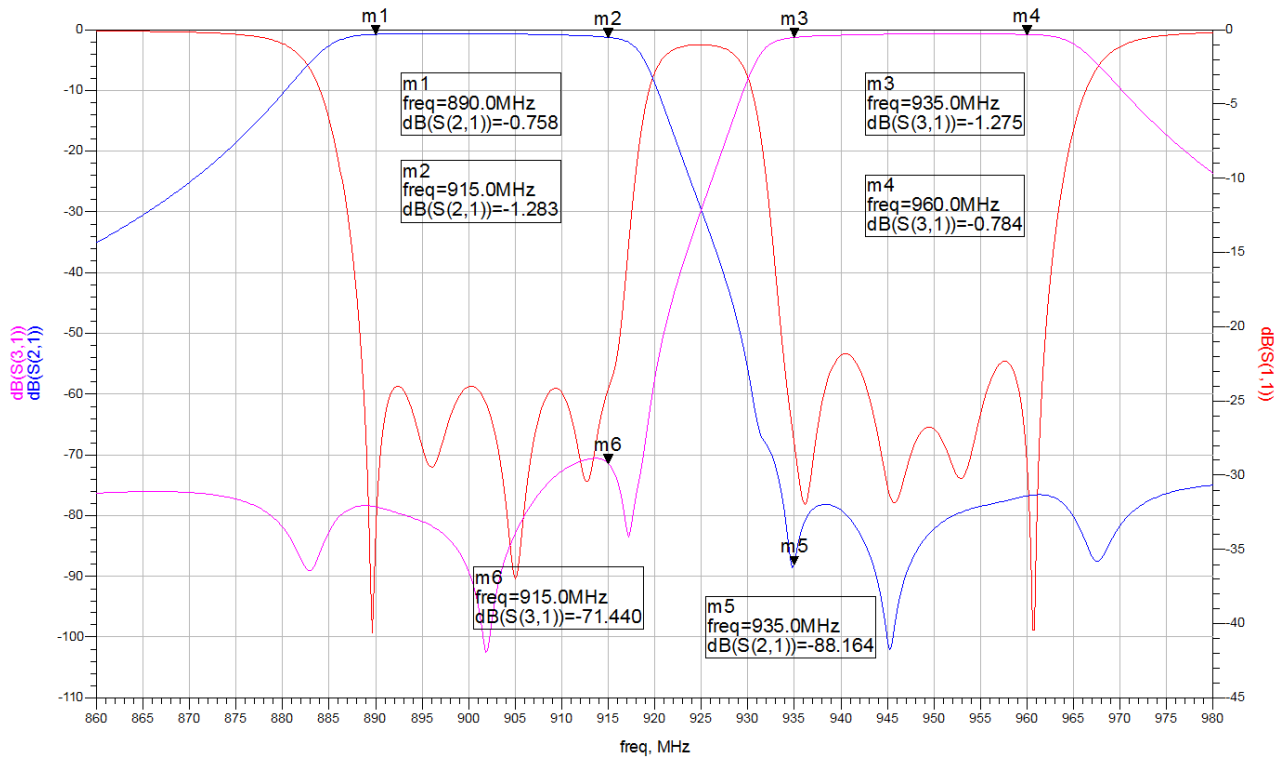
NO.33 WuQing South Road,Wuhou District, ChengDu,China. Zip Code:610045

2. Electrical analysis

Table 2 Electrical specifications

Item	Parameter	Low	High	JX Suggest
1	Frequency range	890-915MHz	935-960MHz	OK
2	Insertion loss	≤1.5dB	≤1.5dB	OK
3	Ripple in BW	≤1.0dB	≤1.0dB	OK
4	Return Loss	≥18dB	≥18dB	OK
5	Rejection	≥60dB@935-960MHz	≥60dB@890-915MHz	OK
6	Power	25W		OK
7	Impedance	50Ω		OK
8	Operating Temperature	-40℃~+85℃		OK

The simulation curve



JING XIN MICROWAVE TECHNOLOGY CO.,LTD

E-mail: cd-jingxin@139.com <http://www.cdjx-mw.com>

TEL: +86-28-85026087 FAX: +86-28-65941390

NO.33 WuQing South Road,Wuhou District, ChengDu,China. Zip Code:610045