

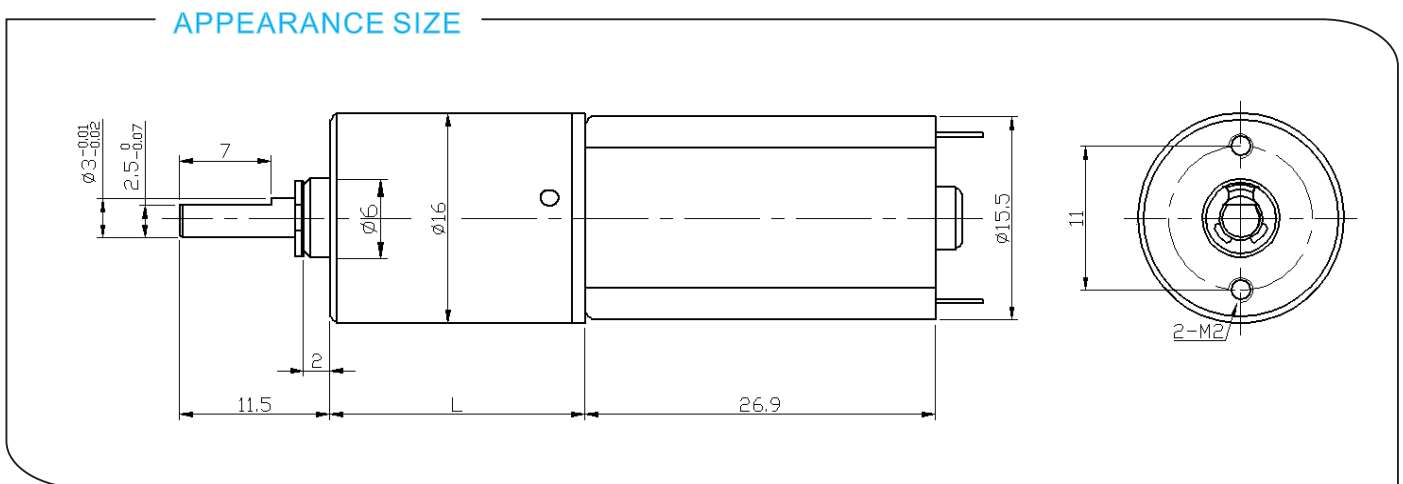
DM-16RP050 DC PLANETARY GEAR MOTOR

基本电压/Main Voltage : 3VDC、6VDC、12VDC、24VDC

典型应用/Typical Applications :

光学仪器、监控摄像机、节能设备、节水设备、IC水卡、玩具和礼品、办公设备、家用电器、自动化设备。

Optical instrument, Surveillance cameras, Automated energy efficiency, Water saving equipment, IC water card, Toys and gifts, Office equipment, Household appliance, automation equipment



减速箱参数/Gearbox Data:

级数 Number of stages	1	2	3	4	5
减速比 Reduction ratio	4、4.75	16、19、22.5	64、76 90、107	256、304、361 428、509	1024、1216、1444 1714、2036、2418
减速箱长度 Gearbox length "L" mm	12.2	15.8	19.4	23	26.6
破坏扭矩 Breaking torque(kgf.cm)	2	3	4	5	5
减速箱效率 Gearbox efficiency	90%	81%	73%	65%	59%

电机参数/Driving Motor Data:

电机型号 Motor model	额定电压 Rated Volt.	空载/No load		负载/Load				堵转/Stall	
		电流 Current	转速 Speed	电流 Current	转速 Speed	扭矩 Torque	输出功率 Output power	扭矩 Torque	电流 Current
		V	mA	r/min	mA	r/min	g.cm	W	g.cm
DM-050-006-9000	6	≤60	9000	≤260	7500	8	0.6	≥30	≥550
DM-050-006-12000	6	≤70	12000	≤300	9300	10	1.0	≥40	≥1000
DM-050-012-9000	12	≤30	9000	≤130	7500	8	0.6	≥30	≥300
DM-050-012-12000	12	≤50	12000	≤200	10000	10	1.0	≥40	≥600

备注/Remark:

齿轮减速箱额定扭矩 = 电机额定扭矩 * 减速比 * 减速箱效率

Gear Motor Torque = Driving motor torque * Reduction ratio * Gearbox efficiency;

齿轮减速箱额定转速 = 电机额定转速 / 减速比

Gear Motor Speed = Driving motor speed / Reduction ratio

电机具体配置可根据客户的要求进行定制，像电压，速度，以及轴的长度和形状...

Motor detailed config can be customized according to customer's requests,

like voltage, speed, as well as shaft length and shape...

欢迎OEM或ODM项目

Welcome OEM or ODM projects