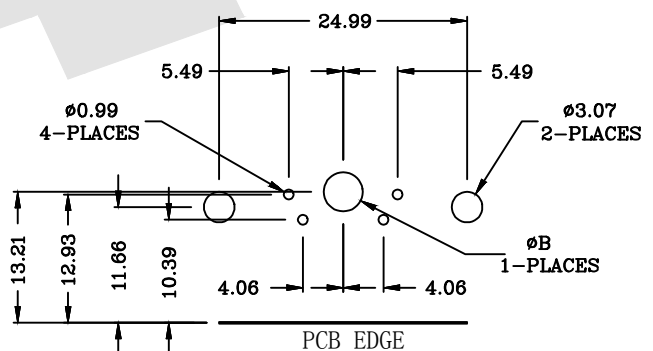
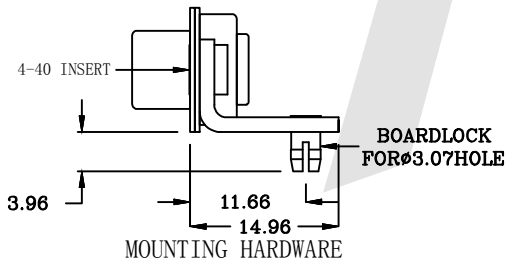
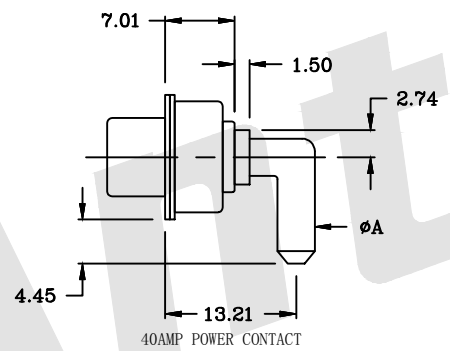
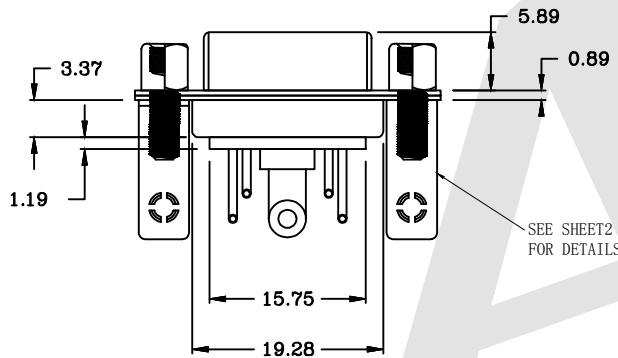
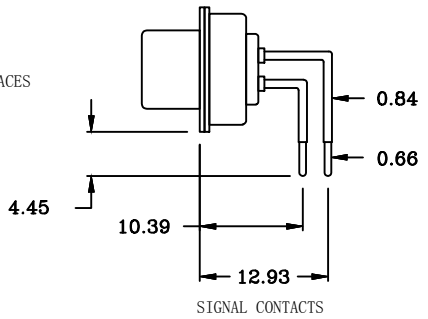
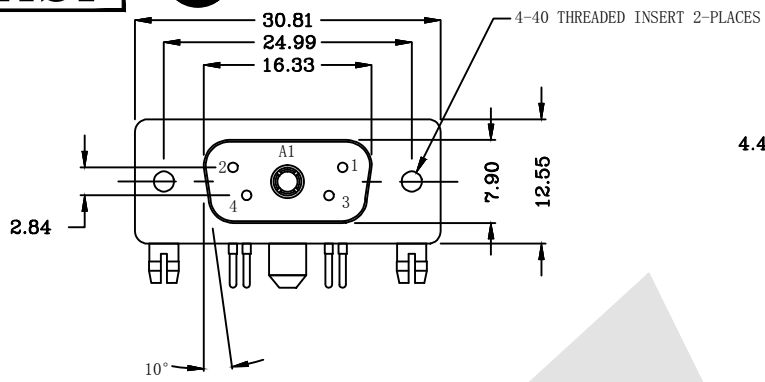


HSF

RoHS

Autodesk



**SPECIFICATIONS:**

**ELECTRICAL:**  
 INSULATOR RESISTANCE: 5,000 MegOHMS Min.  
 DIELECTRIC WITHSTANDING: 1,000 VAC r. m. s.  
 OPERATING TEMPERATURE: -55°C ~ +125°C  
 CONTACT RESISTANCE: 30 MILLIOHMS Max.  
 POWER PINS: SEE PART No. BELOW

**MECHANICAL:**  
 CONTACT INSERTION FORCE: 4.5kg Max  
 CONTACT SEPARATOR FORCE: 0.3kg Min

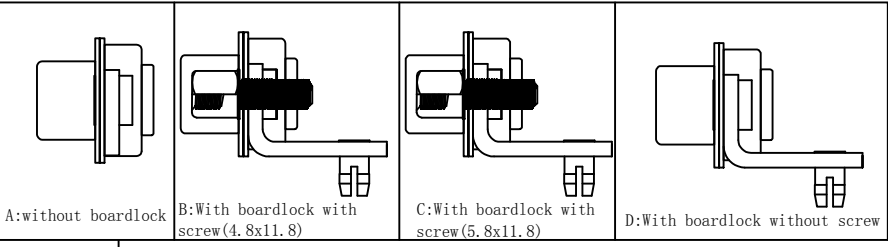
**MATERIALS:**  
 CONTACTS: BRASS  
 INSULATOR: PBT UL94V-0 RATED, 230°C PROCESS TEMP.

**SHELL Material:** STEEL  
**SHELL FINISH:** NICKEL

Ordering Code:

PDR5W1	-F	-G0	-B	-20	-X
①	②	③	④	⑤	⑥

- ① Series
- ② Contact Type:  
M: Male F: Female
- ③ Contact NO. :  
G0: Gold flash  
G1: 3u" Gold  
G2: 5u" Gold  
G3: 10u" Gold  
G4: 15u" Gold  
G5: 30u" Gold
- ④ Insulation Color Code:  
B: Black L: Blue  
W: White
- ⑤ Power AMP:  
10 = 10AMPS; 20 = 20AMPS;  
30 = 30AMPS; 40 = 40AMPS;
- ⑥ Contact No:  
A: without boardlock  
B: B: With boardlock with screw (4.8x11.8)  
C: With boardlock with screw (5.8x11.8)  
D: With boardlock without screw



Current Rating	Dimension	
	Ø A	Ø B
40 AMPS	Ø3.75	Ø4.20
30 AMPS	Ø3.20	Ø3.80
20 AMPS	Ø2.8	Ø3.28
10 AMPS	Ø1.7	Ø2.20

Unless Otherwise specified tolerance  
 X. ±0.35 X.XX: ±0.20  
 X.X: ±0.25 X.XXX: ±0.15

**Antenk**® ANTENK ELECTRONICS CO., LTD  
 Http://www.antenk.com  
 E-mail: sales@antenk.com

SCALE: As Shown UNIT: mm  
 DRAW: Lv Xun Hua DATE: 15/05/2019  
 CHECK: BobYang DATE: 15/05/2019

TITLE:  
 POWER D-SUB 5W1 Right Angle PCB-FEMALE TYPE



DRAWING NO: PDR5W1-FXXXX  
 PRODUCT NO: 7 PDR5W1-FXXXX 8

REV	DESCRIPTION	DATE
1		
2		
3		
4		

Autodesk

6

Autodesk

D