

HSF



40 AMPS	ø3.75	ø4.0
30 AMPS	ø3.2	ø3.5
20 AMPS	ø2.8	ø3.0
10 AMPS	ø1.7	ø2.0
Current Rating	øA	PCB(øB)
	Dimension	

SPECIFICATIONS:

ELECTRICAL:

INSULATOR RESISTANCE: 5,000 MegOHMS Min.
 DIELECTRIC WITHSTANDING: 1,000 VAC r.m.s.
 OPERATING TEMPERATURE: -55°C ~ +125°C
 CONTACT RESISTANCE: 30 MILLIOHMS Max.
 POWER PINS: SEE PART No. BELOW

MECHANICAL:

CONTACT INSERTION FORCE: 4.5kg Max
 CONTACT SEPARATOR FORCE: 0.3kg Min

MATERIALS:

CONTACTS: BRASS
 INSULATOR: PBT UL94V-0 RATED,
 230°C PROCESS TEMP.

SHELL:

STEEL

FINISH:

SHELL:

NICKEL

Ordering Code:

PDP3V3 - M - A - G0 - B - 20
 ① ② ③ ④ ⑤ ⑥

① Series

② Contact Type:
 M: Male F: Female

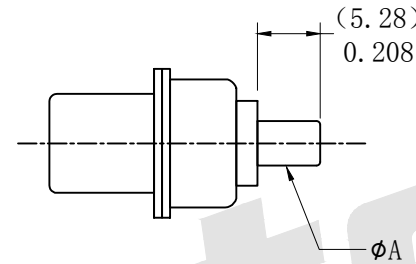
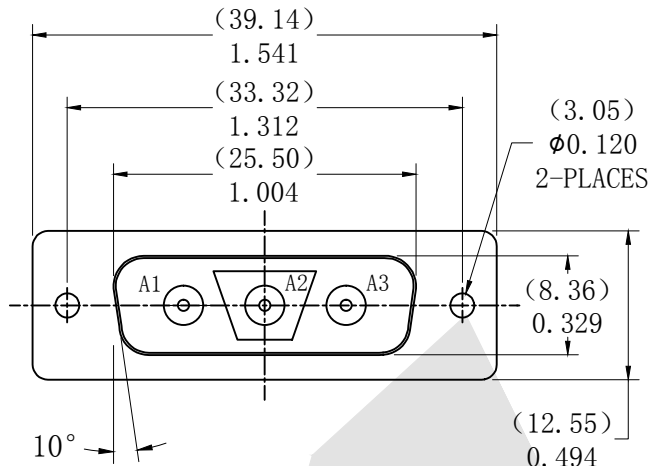
③ Mounting Option:
 A: No accessories
 B: Rear Rivet
 C: Front Rivet
 D: Groundstand-off on rear shell
 E: Front rivet+Groundstand-off
 on rear shell

④ Contact NO.:

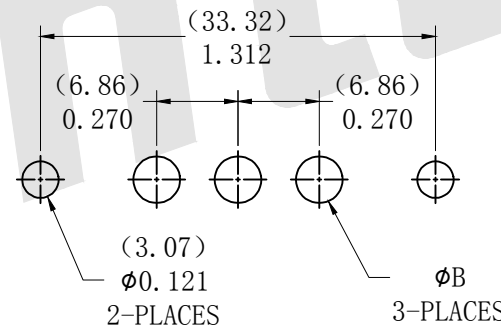
G0: Gold flash
 G1: 3u" Gold
 G2: 5u" Gold
 G3: 10u" Gold
 G4: 15u" Gold
 G5: 30u" Gold

⑤ Insulation Color Code:
 B: Black L: Blue
 W: White

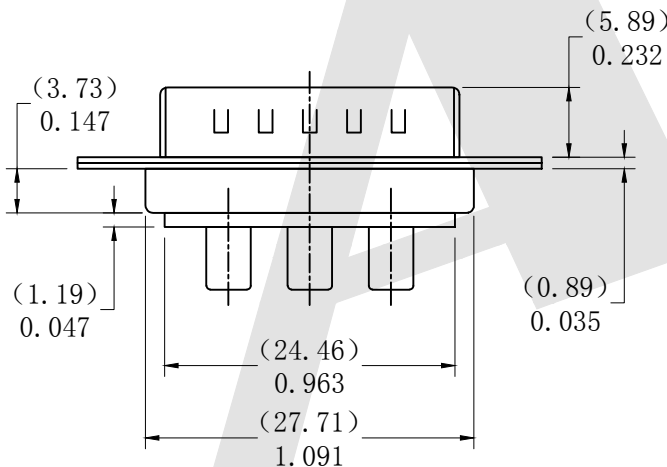
⑥ Power AMP:
 10 = 10AMPS;
 20 = 20AMPS;
 30 = 30AMPS;
 40 = 40AMPS;



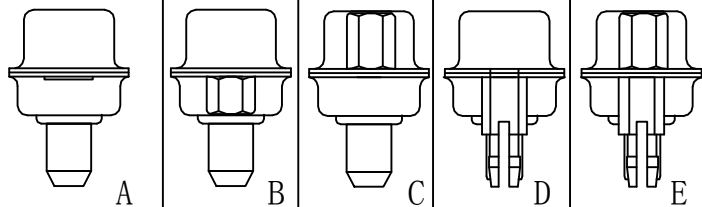
POWER CONTACTS



RECOMMENDED PCB LAYOUT



NOTE:
 POWER CONTACTS COME
 PRE-LOADED INTO INSULATORS



Unless Otherwise specified tolerance
 X. ±0.35 X.XX: ±0.20
 X.X: ±0.25 X.XXX: ±0.15

Antenk ANTENK ELECTRONICS CO., LTD
 Http://www.antenk.com
 E-mail:sales@antenk.com

SCALE: As Shown	UNIT: mm
DRAW Lv Xun Hua	DATE 07/05/2019
CHECK BobYang	DATE 07/05/2019

TITLE:
 POWER D-SUB 3V3 DIP STRAIGHT-MALE TYPE



DRAWING NO: PDP3V3-MXXXX
 PRODUCT NO: PDP3V3-MXXXX

REV	DESCRIPTION	DATE
1		
2		
3		