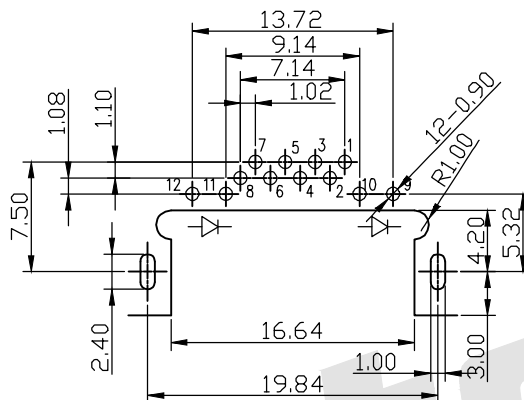
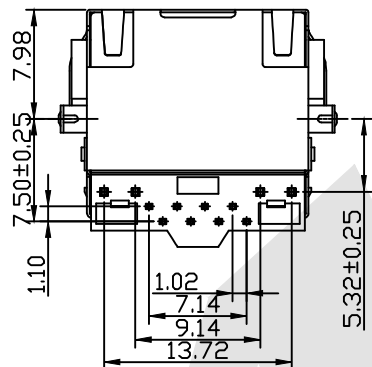
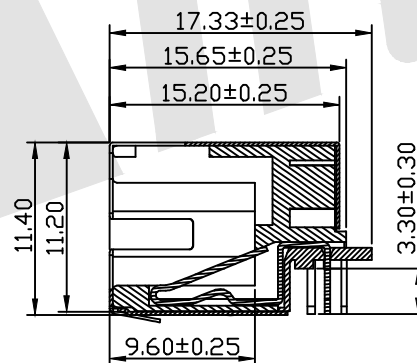
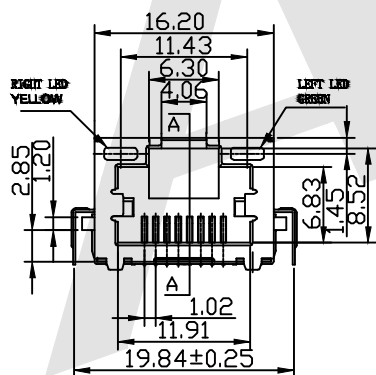


HSF



RECOMMENDED PCB LAYOUT (TOP VIEW)  
(ALL TOLERANCES ARE ±0.05)



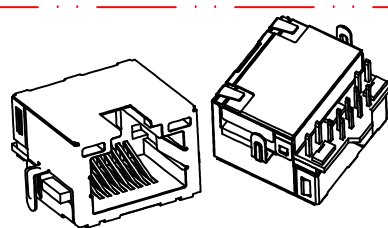
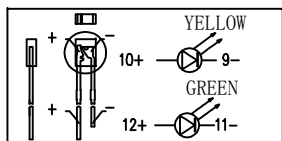
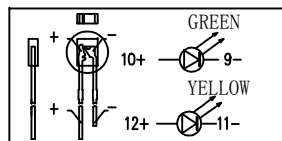
- 1. HOUSING MATERIAL: GLASS FILLED POLYESTER UL94V-0
  - 2. CONTACT MATERIAL: COPPER ALLOY 0.35mm THICKNESS
  - 3. PLATING: 1, 3, 5, 15, 30u" GOLD PLATED ON CONTACT AREA 100u" MIN MATIE TIN PLATED ON SOLDERING AREA 50u" MIN. NICKEL PLATED OVERALL
  - 4. L=GREEN R=YELLOW
- ELECTRICAL:
- 1. VOLTAGE RATING: 125V AC RMS
  - 2. CURRENT RATING: 1.5AMP
  - 3. CONTACT RESISTANCE: 30 MILLIOHMS MAX
  - 4. INSULATION RESISTANCE: 500 MEGOHMS MIN @500V DC
  - 5. DIELECTRIC WITHSTANDING STRSTSTANCE: 1000V AC RMS 50HZ or 60Hz 1MIN

- MECHANICAL:
- 1. DURRABILITY: 750 CYCLES MIN
  - 2. PCB RETENTION PER-SOLDER: 1LB MIN
- ENVIRONMENTAL:
- 1. STORAGE: -10°C ~ +85°C
  - 2. OPERATION: 0°C ~ +70°C

Order Code:

ATRJ5834B — 8P — 8C — X — A — X

- |                           |                                  |                                   |                           |                   |                             |
|---------------------------|----------------------------------|-----------------------------------|---------------------------|-------------------|-----------------------------|
| ①                         | ②                                | ③                                 | ④                         | ⑤                 | ⑥                           |
| ① SERIES NO:              | ② NUMBER OF POSITIONS (8P,6P,4P) | ③ NUMBER OF CONTACTS (8C, 6C, 4C) | ④ Contact Plating         | ⑤ Shield          | ⑥ LED STYLE:                |
| G0: Gold flash            | G1: 3U <sub>s</sub> Gold         | G2: 5U <sub>s</sub> Gold          | G3: 10U <sub>s</sub> Gold | A: W/O Shield     | A: LEFT YELLOW/RIGHT GREEN  |
| G4: 15U <sub>s</sub> Gold | G5: 30U <sub>s</sub> Gold        | SN: Tin                           |                           | B: Half Shield    | B: LEFT GREEN/RIGHT YELLOW  |
|                           |                                  |                                   |                           | C: Shield W/Eml   | C: LEFT RED/RIGHT GREEN     |
|                           |                                  |                                   |                           | D: Shield W/O Eml | D: LEFT GREEN/RIGHT RED     |
|                           |                                  |                                   |                           |                   | E: LEFT YELLOW/RIGHT YELLOW |
|                           |                                  |                                   |                           |                   | F: LEFT GREEN/RIGHT GREEN   |



Unless Otherwise specified tolerance  
X. ±0.35 X.XX: ±0.20  
X.X: ±0.25 X.XXX: ±0.15

**Antenk** ANTENK ELECTRONICS CO., LTD  
Http://www.antenk.com  
E-mail:sales@antenk.com

SCALE: As Shown UNIT: mm  
DRAW Wu Sai DATE 22/03/2018  
CHECK BobYang DATE 22/03/2018

TITLE: RJ45 8P8C Sink in Type

DRAWING NO: ATRJ5834B-8P8C-X-A-X  
PRODUCT NO: ATRJ5834B-8P8C-X-A-X



REV

DESCRIPTION

DATE

1 2 3 4 5 6 7 8