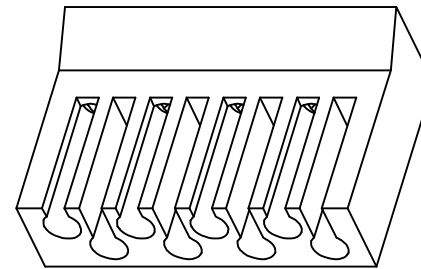
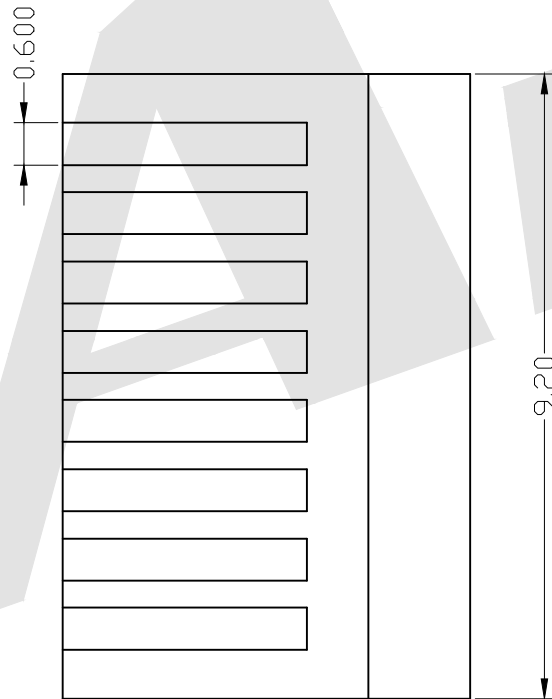
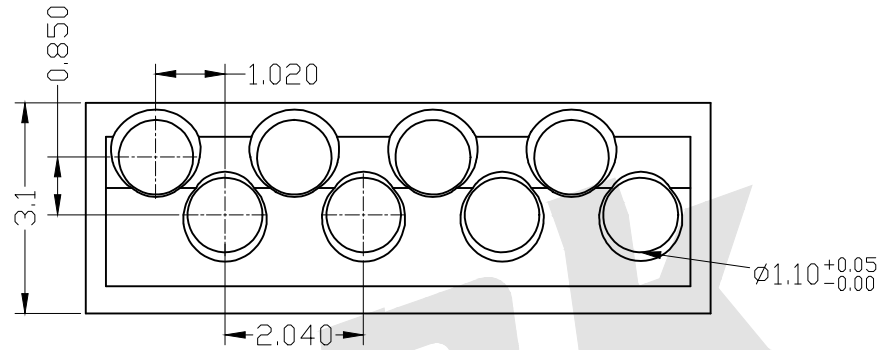
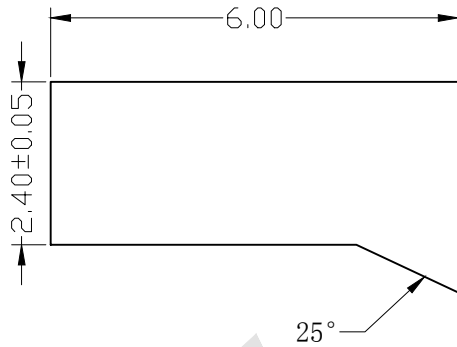


HSF

RoHS



SPECIFICATION:
1. Material:PC

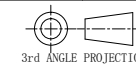
Unless Otherwise specified tolerance
X. ±0.35 X.XX: ±0.20
X.X: ±0.25 X.XXX: ±0.15

Antenk® ANTENK ELECTRONICS CO.,LTD
Http://www.antenk.com
E-mail:sales@antenk.com

SCALE: As Shown	UNIT: mm
DRAW Wu Feng Rong	DATE 04/06/2015
CHECK BobYang	DATE 04/06/2015

TITLE:
BOOT 4UP 4DOWN FOR CAT6

DRAWING NO: ATRP8P8C6TSR-001
PRODUCT NO: ATRP8P8C6TSR-001



REV	DESCRIPTION	DATE
1		