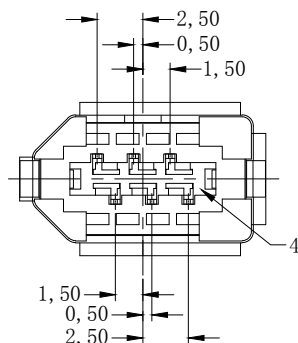
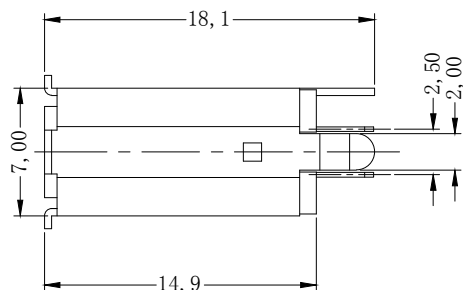
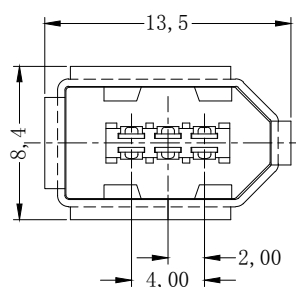


HSF



ROHS



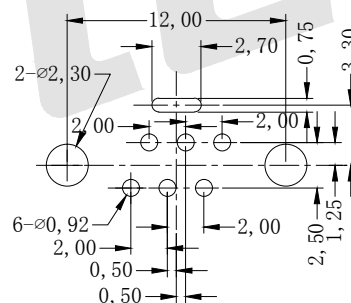
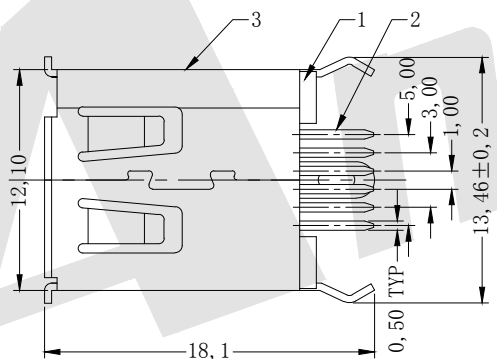
Specifications:

Current Rating: 1.5A Max  
 Contact Resistance: 50 milliohms MAX  
 Dielectric Withstanding Voltage: 500V AC AT Sea Level  
 Insulation Resistance: 500 Megohms MIN  
 Operating Temperature: -20° C to +85° C  
 Housing: Temperature Thermoplastics, LCP UL 94V-0  
 Contact: Copper Alloy T=0.20mm Plated Gold in Mating Area; Tin On Solder Talls  
 Shell: Copper Alloy/Steel T=0.40mm Nickel/Plating

Ordering Code:

IEFS02 - X - X - X - X - X  
 ① ② ③ ④ ⑤ ⑥

- ① Series No:
- ② Shell Material:  
B: Brass I: Iron  
S: stainless steel
- ③ Insulator Material:  
P: PBT+30%GF  
L: LCP
- ④ Contact Material:  
B: Brass  
P: phosphor copper
- ⑤ Contact Plating  
G0: Gold flash  
G1: 3u" Gold  
G2: 5u" Gold  
G3: 10u" Gold  
G4: 15u" Gold  
G5: 30u" Gold
- ⑥ Packing  
A: Tray  
B: Bag  
C: Tube  
D: Tape Reel



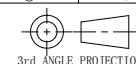
PCB EDGE COMPONENT SIDE (PCB LAYOUT)

NO.	NAME	MATERIAL	FINISH	Q' TY
1	HOUSING	PBT. 30%G. L	BLACK	1
2	CONTACT	BRASS	GOLD-TIN PLATED	6
3	SHELL	BRASS	NICLEL PLATED	1
4	B-HOUSING	PBT. 30%G. L	BLACK	1

REV	DESCRIPTION	DATE
1		
2		
3		
4		
5		

Unless Otherwise specified tolerance  
 X. ±0.35 X.XX: ±0.20  
 X.X: ±0.25 X.XXX: ±0.15

SCALE: As Shown UNIT: mm  
 DRAW: Wu Feng Rong DATE: 20/02/2020  
 CHECK: BobYang DATE: 28/06/2019



**Antenk** ANTENK ELECTRONICS CO.,LTD  
 Http://www.antenk.com  
 E-mail:sales@antenk.com

TITLE:  
 1394 6P Receptacle Straight Solder Type

DRAWING NO: IEFS02-XXXXX  
 PRODUCT NO: IEFS02-XXXXX