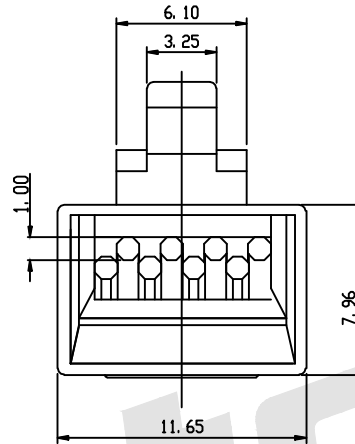
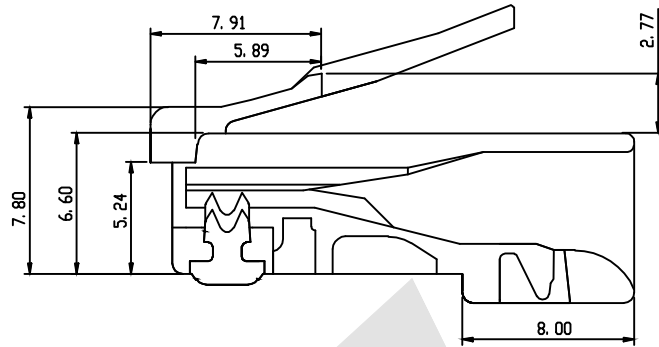


HSF



1. Electrical Test:

- A: 250V AC max at 2 Amps
- B: Dielectric with standing 500volts AC
- C: Insulation Resistance: 500 mega Ω
- D: Termination Resistance: 35 mega Ω

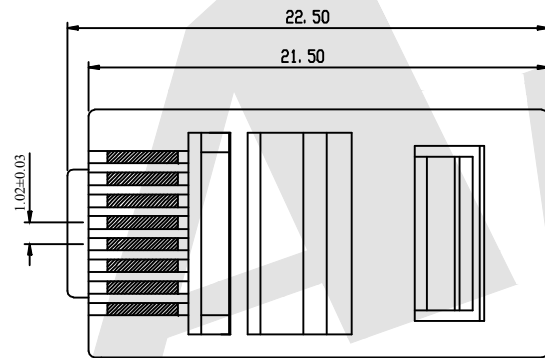
2. Mechanical:

- A: Cable to Plug tensile strength 20LBs (89N) min
- B: Durability: 1000 mating cycles

Ordering Code:

ATRP8P8C6T - X - X - X - 001

① ② ③ ④ ⑤



1. Series:

2. Housing Material:

- A: UL 94V-0
- B: UL 94V-2

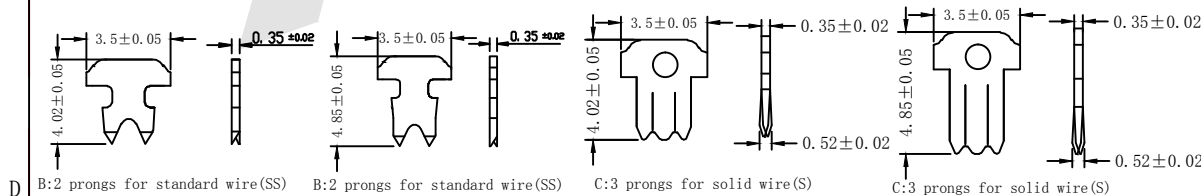
3. Contact Type:

- B: 2 Prongs for solid wire (SS)
- C: 3 prongs for solid wire (S)

4. Gold plating :

- A: 1u" B: 3u"
- C: 6u" D: 15u"
- E: 30u" F: 50u"

5. Serial number:



Unless Otherwise specified tolerance
 X. ± 0.35 X.XX: ± 0.20
 X.X: ± 0.25 X.XXX: ± 0.15

Antenk ANTENK ELECTRONICS CO.,LTD
[Http://www.antenk.com](http://www.antenk.com)
 E-mail:sales@antenk.com

SCALE: As Shown UNIT: mm
 DRAW: Wu Sai DATE: 22/03/2018
 CHECK: BobYang DATE: 22/03/2018

TITLE:
 Plug 8P8C Serial shielded Type(CAT.6)

DRAWING NO: ATRP8P8C6T-XXX-001
 PRODUCT NO: ATRP8P8C6T-XXX-001



REV	DESCRIPTION	DATE

1 2 3 4 5 6 7 8