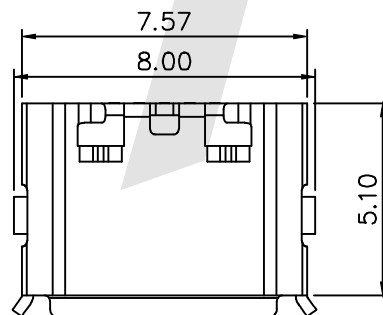
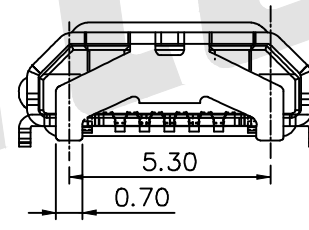
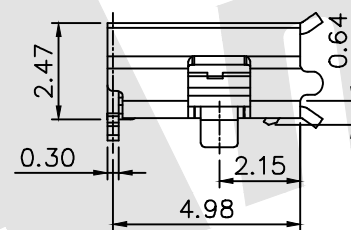
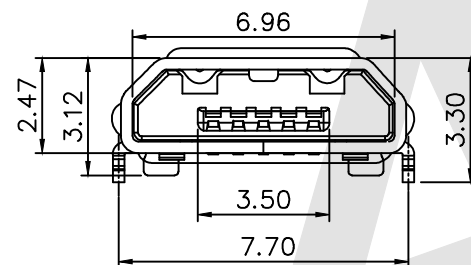
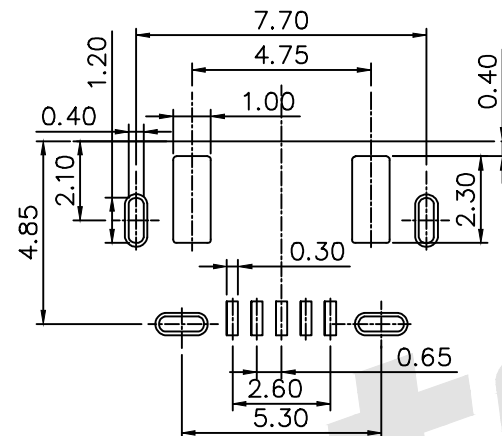
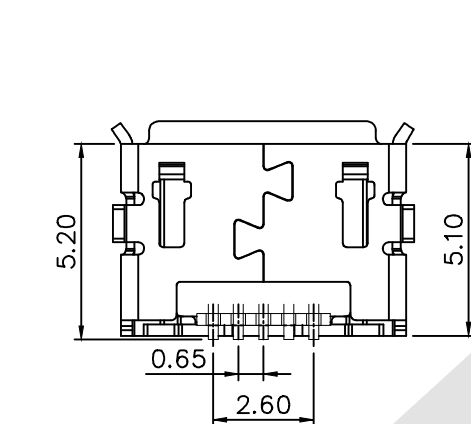


HSF



Note:

1. Material:

- 1.1 Housing: LCP High Temperature Plastic
- 1.2 Contact: Bronze
- 1.3 Shell: Spcc-SD
- 1.4 Plating: Half Metallic Tin On Contact Area  
Shell: Tin-Plated High-temperature

2. Specification:

- 2.1 Current rating: 1 A Max.
- 2.2 Dielectric withstanding voltage: 500 V(ac) at sea level
- 2.3 Contact resistance: 30Milliohms Max.
- 2.4 Insulation resistance: 1000MEGA ohms Min.
- 2.5 Temperature range: -30° C~80° C

Ordering Code:

MUFM30 - X - L - X - X - X  
 ① ② ③ ④ ⑤ ⑥

- ① Series No:
- ② Shell Material:  
B:Brass I:Iron  
S:stainless steel
- ③ Insulator Material:  
P:PBT+30%GF  
L:LCP
- ④ Contact Material:  
B:Brass  
P:phosphor copper
- ⑤ Contact Plating  
G0: Gold flash  
G1: 3u" Gold  
G2: 5u" Gold  
G3: 10u" Gold  
G4: 15u" Gold  
G5: 30u" Gold
- ⑥ Packing  
A:Tray  
B:Bag  
C:Tube  
D:Tape & Reel

Unless Otherwise specified tolerance  
 X. ±0.35 X.XX: ±0.20  
 X.X: ±0.25 X.XXX: ±0.15

**Antenk**® ANTENK ELECTRONICS CO., LTD  
 Http://www.antenk.com  
 E-mail:sales@antenk.com

SCALE: As Shown UNIT: mm  
 DRAW Lv Xun Hua DATE 01/06/2019  
 CHECK BobYang DATE 01/06/2019

TITLE: MICRO USB Receptacle B Type 5Pin, With Ejector Type, DIP (7.7mm+5.3mm), Reverse Type



DRAWING NO: MUFM30-XLXXX  
 PRODUCT NO: MUFM30-XLXXX

REV	DESCRIPTION	DATE