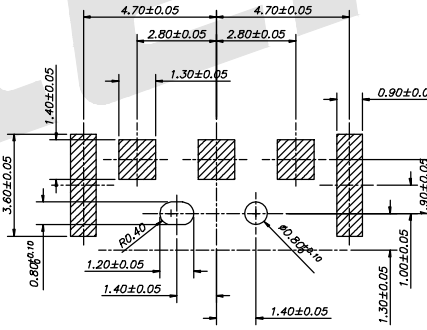
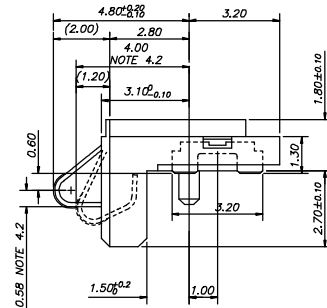
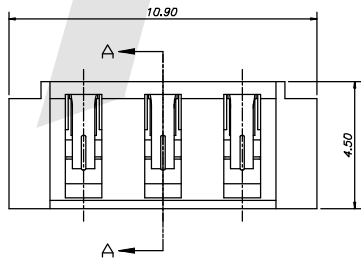


剖视图 A-A



推荐PCB板布司



NOTES

- MATERIAL:
  - PIN:BERYLLIUM COPPER
  - INSULATOR: 30% GLASS-FILLED THERMOPLASTIC LCP OR EQUIVALENT UL94V-0, BLACK.
- FINISH: CONTACT:GOLD FLASH(1° MIN.)ALL OVER, 50-100 MICROINCH (1.27-2.54 MICRON) NICKEL UNDERPLATED ALL OVER SOLER TAB:50-100(1.27-2.54 MICRON) MICROINCH MATTE TIN, 10-100 MICROINCH(1.27-2.54 MICRON) NICK UDERPLATED
- ELECTRICAL SPECIFICATIONS:
  - VOLTAGE RATING:250 VAC MIN
  - CURRENT RATING:2.0 A MIN
  - DIELECTRIC STRENGTH:1000 VEG OHM MIN
  - INSULATION RESISTANCE:1000 MEG OHM MIN
  - CONTACT RESISTANCE:30 MILL. OHM MAX
  - OPERATION TEMPERATURE:-55° C TO +125° C
  - PRODUCT WITHSTANDING REFLOW SOLDERING 260° FOR 10S
- MECHANICAL SPECIFICATIONS:
  - DURABILIRY:5,000 CYCLES
  - NORMAL FORCE AT MATED POSITION:60g MIN
  - NORMAL FORCE AT FULL STROKE:100g MIN
- PARTS TO BT PACKAGED IN ANTI-STATIC TAPE AND REEL FOR AUTOMATIC PLACEMENT.
- THE CAVITY## IS 0.8±0.10mm HIGH WITH 0.10±0.10mm RECESSED FROM SURFACE.

Ordering Code:

ABT15 - 03 - L - H - X - D  
① ② ③ ④ ⑤ ⑥

- |                       |                    |
|-----------------------|--------------------|
| ① Series No:          | ⑤ Contact Plating: |
| ②                     | G0:Gold flash      |
|                       | G1:3u" gold        |
| ③ Insulator Material: | G2:5u" gold        |
| P:PBT+30%GF           | G3:10u" gold       |
| L:LCP                 | G4:15u" gold       |
| ④ Pitch               | G5:30u" gold       |
| H:2.8mm Pitch         | ⑥ Packing:         |
|                       | A:Tray             |
|                       | B:Bag              |
|                       | C:Tube             |
|                       | D:Tape Reel        |

Unless Otherwise specified tolerance  
 X. ±0.35 X.XX: ±0.20  
 X.X: ±0.25 X.XXX: ±0.15



ANTENK ELECTRONICS CO., LTD  
[Http://www.antenk.com](http://www.antenk.com)  
 E-mail:sales@antenk.com

SCALE: As Shown	UNIT: mm
DRAW Wu Feng Rong	DATE 22/03/2018
CHECK BobYang	DATE 22/03/2018



TITLE:	2.8mm Pitch 3P Battery Connector
DRAWING NO:	ABT15-03LHXD
PRODUCT NO:	ABT15-03LHXD

REV	DESCRIPTION	DATE
1		
2		
3		
4		
5		
6		