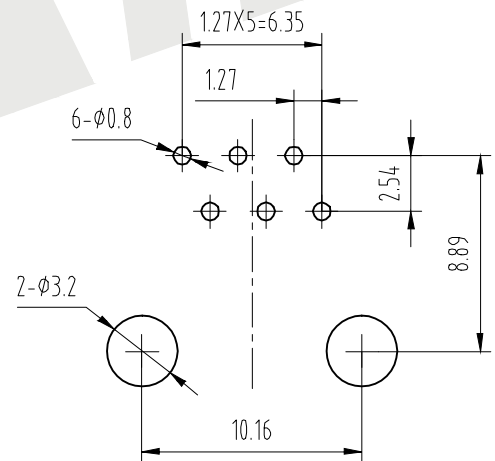
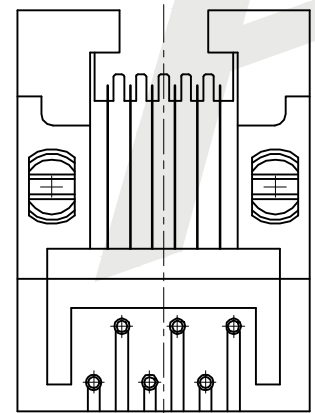
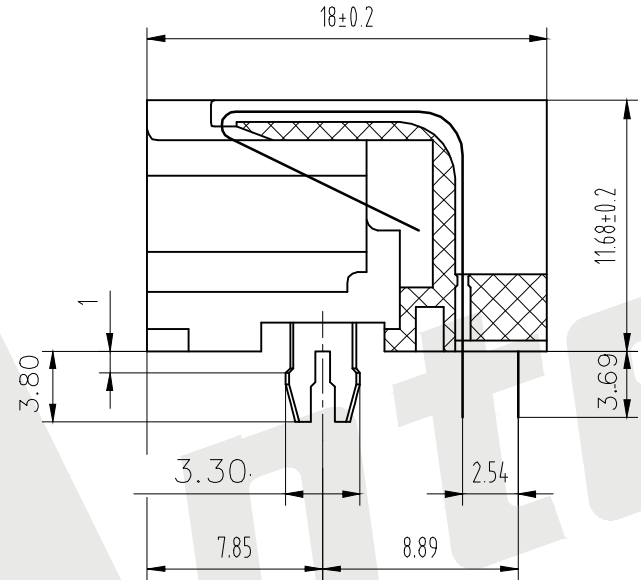
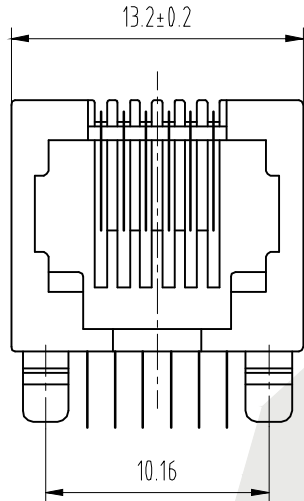


HSF



PC Board Layout
Component Side Shown

NOTES:

MATERIAL:

- 1. HOUSING MATERIAL :GLASS FILLED POYESTER UL94V-0.
- 2. CONTACT MATERIAL :PHOSPHOR BRONZE t=0.3mm
- 3. PLATING :SELECTING GOLD PLATING

TIN

- 1 μ~50 μ "OVER
- NICKEL IN CONTACT AREA. 150 μ "
- PLATIN. OVER NICKEL IN SOLDER AREA

SHIELD

- 4. SHIELD :0.2mm THICKNESS COPPER WITH NICKEL PLATE

ELECTRICAL

- 1. VOLTAGE RATING :125VAC RMS
- 2. CURRENT RATING :1.5AMP
- 3. CONTACT RESISTANCE:30MILLIOHMS MAX
- 4. INSULATION RESISTANCE 500MEGOHMS MIN @500V DC
- 5. DIELECTRIC WITHSTANDING RESISTANCE :1000V AC RMS 50Hz. 1MIN

MECHANICAL

- 1. DURRABILITY :750 CYCLES MIN
- 2. PCB RETENTTON PRB-SOLDER :1 LB MIN

REVRONMENTAL

- 1. STORAGE :-40° C TO 85° C
- 2. OPERATION :0° C TO 70° C

Order code:

ATRJ5321 — 6P — 6C — X — A
 ① ② ③ ④ ⑤

- ① SERIES NO:
- ② NUMBER OF POSITIONS (8P, 6P, 4P)
- ③ NUMBER OF CONTACTS (8C, 6C, 4C)
- ④ Contact Plating
 G0:Gold flash
 G1: 3U" Gold
 G2: 5U" Gold
 G3:10U" Gold
 G4:15U" Gold
 G5:30U" Gold
- ⑤ Shield
 A:W/O Shield
 B:Half Shield
 C:Shield W/Eml
 D:Shield W/O Eml

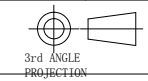
SN:tin

Unless Otherwise specified tolerance
 X. ±0.35 X.XX: ±0.20
 X.X: ±0.25 X.XXX: ±0.15

Antenk® ANTENK ELECTRONICS CO.,LTD
[Http://www.antenk.com](http://www.antenk.com)
 E-mail:sales@antenk.com

SCALE: As Shown UNIT: mm
 DRAW Wu Feng Rong DATE 31/08/2019
 CHECK BobYang DATE 31/08/2019

TITLE: RJ11 Jack 6P6C side entry 1X1port, Full plastic



DRAWING NO: ATRJ5321-6P6C-X-A
 PRODUCT NO: ATRJ5321-6P6C-X-A

REV	DESCRIPTION	DATE
1		
2		
3		
4		
5		