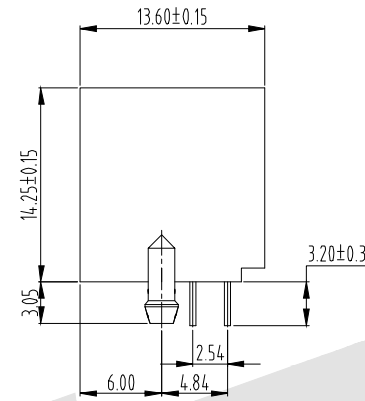
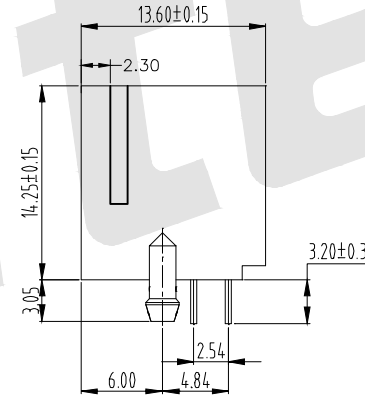


PCB LAYOUT/TOP VIEW



A: without panel stop



B: with panel stop

**MATERIAL:**

- 1).Housing :glass filled polyeter UL94V-0
- 2).Contact :phosphor bronze with gold plating over nickel

**ELECTRICAL:**

- 1).Voltage rating:125V AC
- 2).Current rating:1.5 AMP
- 3).Contact resistance:30 milliohms max
- 4).Insulation resistance:500 megohms min @500V DC
- 5).Dielectric withstanding voltage :1000V AC RMS  
50Hz or 60Hz 1MIN

**MECHANICAL:**

- 1).Insetion force:2.2kg max
- 2).Retention strength:7.7kg between jack and plug
- 3).Durabilith:750 cycles min

**ENVIRONMENTAL:**

- 1).Storage:-40℃ ~85℃
- 2).Operation:-40℃ ~+85℃

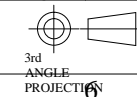
**Ordering Code:**

ATRJ5521 - 8P - 8C - X - X - C  
① ② ③ ④ ⑤ ⑥

- ① SERIES NO:
- ② NUMBER OF POSITIONS (8P, 6P, 4P)
- ③ NUMBER OF CONTACTS (8C,6C,4C)
- ④ Contact Plating  
GO:Gold flash  
G1: 3U" Gold  
G2: 5U" Gold  
G3:10U" Gold  
G4:15U" Gold  
G5:30U" Gold  
SN:Tin
- ⑤ Shield  
A:W/O Shield  
B:Half Shield  
C:Shield W/Eml  
D:Shield W/O Eml
- ⑥ Ports  
A:1X1P  
B:1X2P  
C:1X4P  
D:1X5P  
E:1X6P  
F:1X8P

Unless Otherwise specified tolerance  
X.±0.35 X.XX:±0.20  
X.X:±0.25 X.XXX:±0.15

SCALE: As Shown UNIT: mm  
DRAW Wu Feng Rong DATE 06/09/2019  
CHECK BobYang DATE 06/09/2019



**Antenk** ANTENK ELECTRONICS CO.,LTD  
Http://www.antenk.com  
E-mail:sales@antenk.com

TITLE:  
RJ11 Jack side entry, Full plastic

DRAWING NO: ATRJ5521-8P8C-X-X-C-X  
PRODUCT NO: ATRJ5521-8P8C-X-X-C-X

REV	DESCRIPTION	DATE
1		
2		
3		
4		
5		