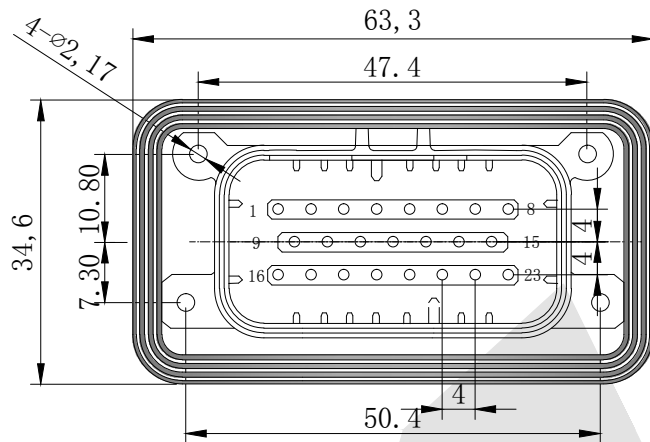
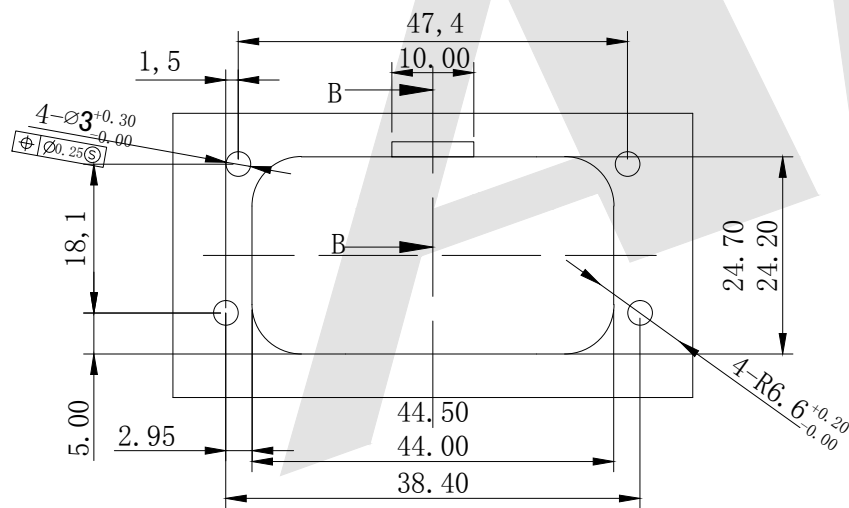




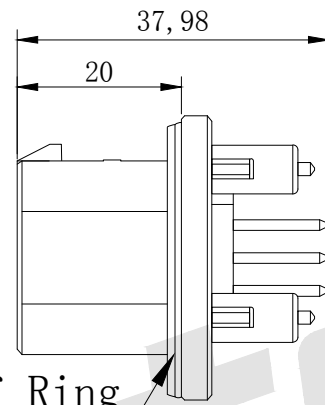
Product Structure Dimension



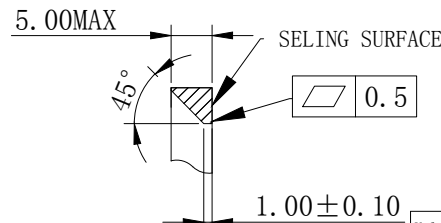
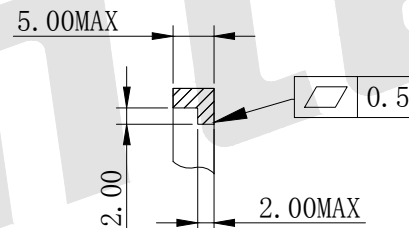
Panel Cutout



RECOMMENDED MOUNTING HOLE LAYOUT FOR 5.0 MAX THICK PANEL



Waterproof Ring



Specifications:

Material:

Housing Material: PA66. GF30 Black

Terminal Material: Brass Tin Plated

Current Rating: 8A

Voltage Rating: 250V DC

Withstand Voltage: 1000V AC

Contact Resistance: 10mΩ MAX

Insulation Resistance: 100MΩ MIN

Sealed Material: Silicone Rubber Salt

Spray resistance: 48H

Air Leakage: No Leakage At 49KPa Air

Pressure Mated Condition

Vibration Resistance: 20Gs, 50-300Hz, No

Instant Fracture In 3 Directions

Mounting Type: Rear Mounting

Operating Temperature: -40° C-105° C

Unless Otherwise specified tolerance
 X. ±0.35 X.XX: ±0.20
 X.X: ±0.25 X.XXX: ±0.15

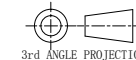
Antenk® ANTENK ELECTRONICS CO., LTD
[Http://www.antenk.com](http://www.antenk.com)
 E-mail: sales@antenk.com

SCALE: As Shown UNIT: mm
 DRAW: Wu Feng Rong DATE: 23/03/2020
 CHECK: BobYang DATE: 23/03/2020

TITLE:
 4.00MM ECU 23PIN Header Waterproof Connector

DRAWING NO: ECU-23PIN

PRODUCT NO: ECU-14PIN



REV	DESCRIPTION	DATE
1		
2		
3		
4		
5		