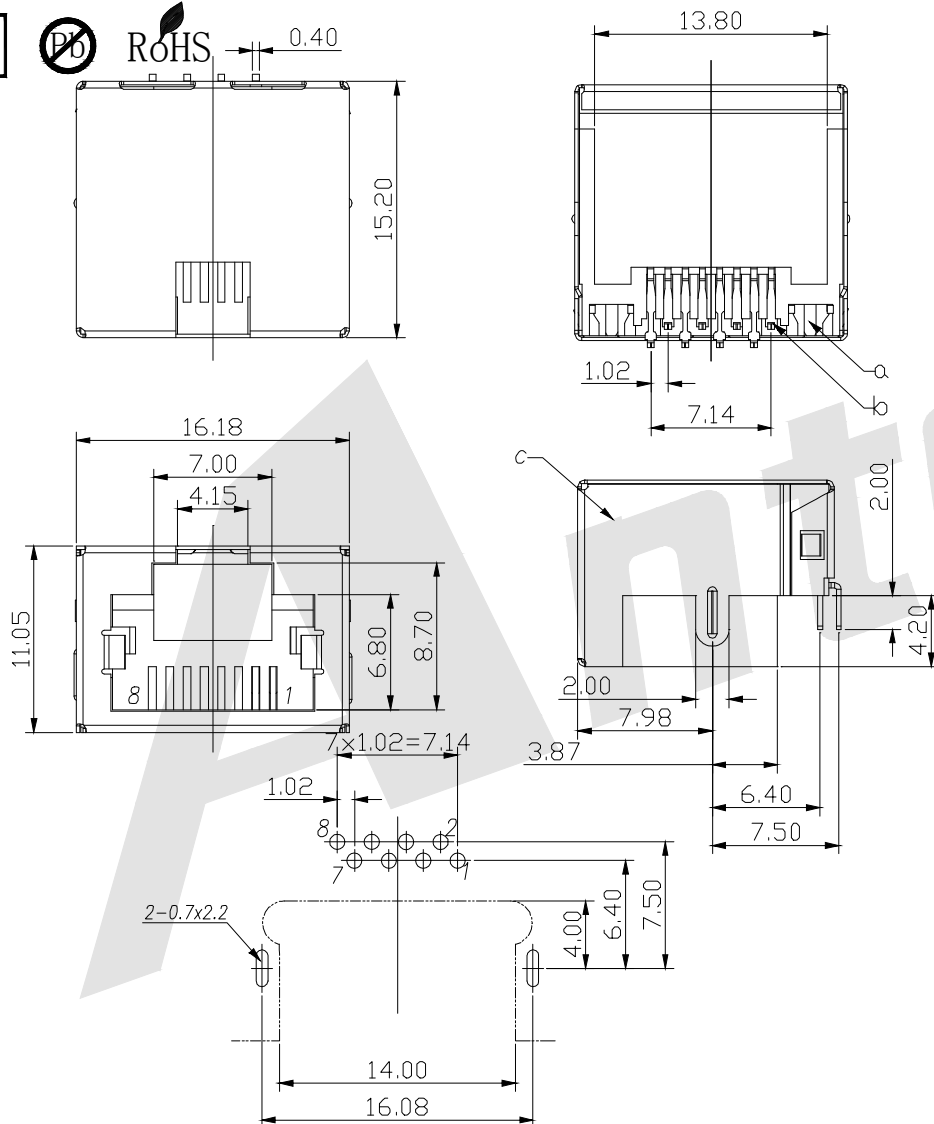


HSF



ROHS

0.40



- 1. HOUSING MATERIAL: GLASS FILLED POLYESTER UL94V-0
- 2. CONTACT MATERIAL: COPPER ALLOY 0.35mm MIN THICKNESS
- 3. PLATING: 1, 3, 5, 15, 30u" GOLD PLATED ON CONTACT AREA 100u" MIN MATIE TIN PLATED ON SOLDERING AREA 50u" MIN. NICKEL PLATED OVERALL
- 4. SHELL: COPPER ALLOY 0.25MM THICKNESS 30u" MIN . NICKEL PLATED OVERALL

ELECTRICAL:

- 1. VOLTAGE RATING: 125V AC RMS
- 2. CURRENT RAIING: 1.5AMP
- 3. CONTACT RESISTANCE: 30 MILLIOHMS MAX
- 4. INSULATION RESISTANCE: 500 MEGOHMS MIN @500V DC
- 5. DIELECTRIC WITHSTANDING RESISTANCE: 1000V AC RMS 50HZ 1MIN

MECHANICAL:

- 1. DURRABILITY: 750 CYCLES MIN
- 2. PCB RETENTION PER-SOLDER: 1LB MIN

ENVIRONMENAL:

- 1. STORAGE : -40°C ~ +85°C
- 2. OPERATION: 0°C ~ +70°C

Order Code:

ATRJ5838 - 8P - 8C - X - A

① ② ③ ④ ⑤

- ① SERIES NO:
- ② NUMBER OF POSITIONS (8P, 6P, 4P)
- ③ NUMBER OF CONTACTS (8C, 6C, 4C)
- ④ Contact Plating
G0: Gold flash
G1: 30u" Gold
G2: 50u" Gold
- ⑤ Shield
A: W/O Shield
B: Half Shield
C: Shield W/Eml
D: Shield W/O Eml

Unless Otherwise specified tolerance
 X. ±0.35 X.XX: ±0.20
 X.X: ±0.25 X.XXX: ±0.15



ANTENK ELECTRONICS CO., LTD
[Http://www.antenk.com](http://www.antenk.com)
 E-mail: sales@antenk.com

SCALE: As Shown

UNIT: mm

DRAW Wu Feng Rong

DATE 22/03/2018

CHECK BobYang

DATE 22/03/2018

TITLE:

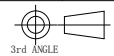
RJ45 8P8C SINK IN Type , NO LED

DRAWING NO:

ATRJ5838-8P8C-X-A

PRODUCT NO:

ATRJ5838-8P8C-X-A



REV	DESCRIPTION	DATE
1		