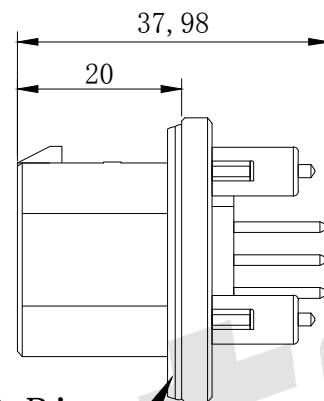
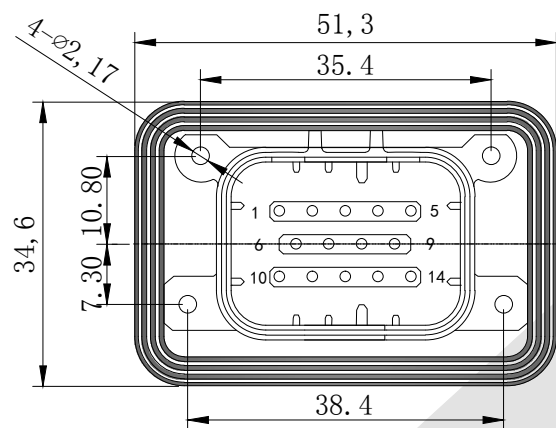


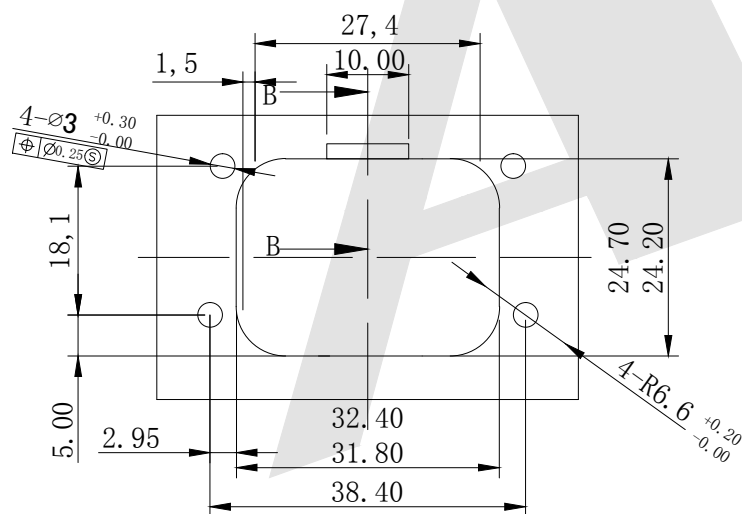


Product Structure Dimension

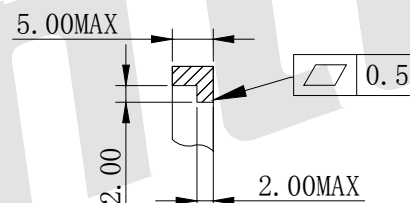


Waterproof Ring

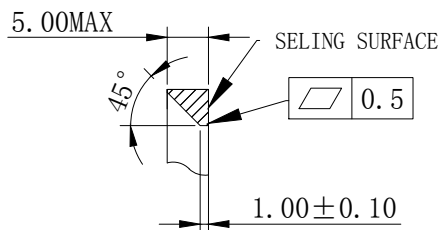
Panel Cutout



RECOMMENDED MOUNTING HOLE LAYOUT FOR 5.0 MAX THICK PANEL



SECTION B-B
OPTIONAL CONSTRUCTION IF PANEL THICKNESS IS GREATER THAN 2.0



SECTION B-B
OPTIONAL CONSTRUCTION IF PANEL THICKNESS IS GREATER THAN 2.0

Specifications:

Material:

Housing Material: PA66.GF30 Black

Terminal Material: Brass Tin Plated

Current Rating: 8A

Voltage Rating: 250V DC

Withstand Voltage: 1000V AC

Contact Resistance: 10mΩ MAX

Insulation Resistance: 100MΩ MIN

Sealed Material: Silicone Rubber Salt

Spray resistance: 48H

Air Leakage: No Leakage At 49KPa Air

Pressure Mated Condition

Vibration Resistance: 20Gs, 50-300Hz, No

Instant Fracture In 3 Directions

Mounting Type: Rear Mounting

Operating Temperature: -40° C-105° C

Unless Otherwise specified tolerance
X. ±0.35 X.XX: ±0.20
X.X: ±0.25 X.XXX: ±0.15

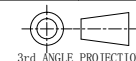
Antenk® ANTENK ELECTRONICS CO., LTD
Http://www.antenk.com
E-mail:sales@antenk.com

SCALE: As Shown	UNIT: mm
DRAW Wu Feng Rong	DATE 23/03/2020
CHECK BobYang	DATE 23/03/2020

TITLE:
4.00MM ECU 14PIN Header Waterproof Connector

DRAWING NO: ECU-14PIN

PRODUCT NO: ECU-14PIN



REV	DESCRIPTION	DATE
1		
2		
3		
4		
5		