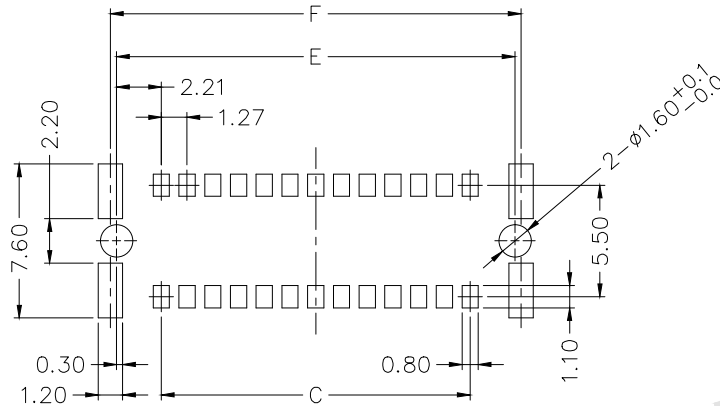
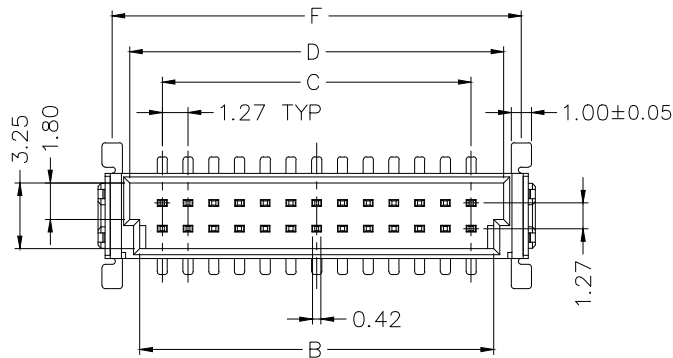


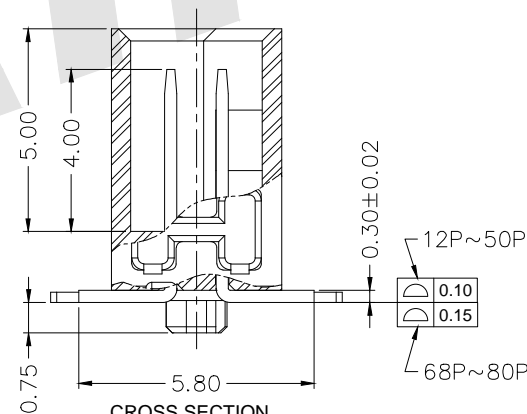
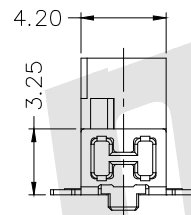
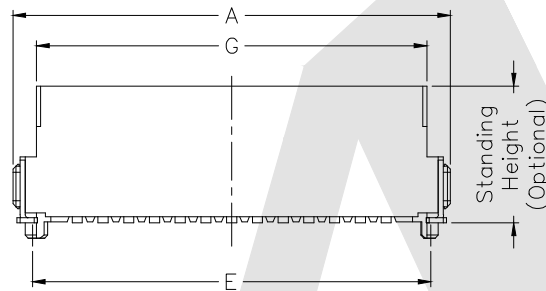
HSF



RECOMENDED PCB LAYOUT  
TOLERANCE:±0.05

ORDERING CODE:

ATK-SMC04 XX XX X X  
 Series NO. 1.27 SMC Female Connector  
 Vertical SMT Type  
 CONTACT POSITION See DIM-TABLE.  
 Packing Standing Height:  
 A:Tray A: 6.75  
 B:Bag B: 8.25  
 T:Tube C: 9.85  
 U:Tube+CAP  
 R:Tape&Reel  
 W:Tape&Reel+CAP  
 Contact Plating:  
 G0:Gold flash S0:Selective  
 G1:3u" Gold S1:Selective 3u"  
 G2:5u" Gold S2:Selective 5u"  
 G3:10u" Gold S3:Selective 10u"  
 G4:15u" Gold S4:Selective 15u"  
 G5:30u" Gold S5:Selective 30u"  
 SN:Tin



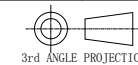
CROSS SECTION  
SCALE 2/1

DIM-TABLE

PIN NO.	DIM A	DIM B	DIM C	DIM D	DIM E	DIM F	DIM G
12	12.70	8.57	6.35	9.57	10.77	11.34	10.37
16	15.24	11.11	8.89	12.11	13.31	13.88	12.91
20	17.78	13.65	11.43	14.65	15.85	16.42	15.45
24	20.32	16.19	13.97	17.19	18.39	18.96	17.99
26	21.59	17.46	15.24	18.46	19.66	20.23	19.26
30	24.13	20.00	17.78	21.00	22.20	22.77	21.80
32	25.40	21.27	19.05	22.27	23.47	24.04	23.07
40	30.48	26.35	24.13	27.35	28.55	29.12	28.15
50	36.83	32.70	30.48	33.70	34.90	35.47	34.50
68	48.26	44.13	41.91	45.13	46.33	46.90	45.93
80	55.88	51.75	49.53	52.75	53.95	54.52	53.55

Unless Otherwise specified tolerance  
 X. ±0.35 X.XX: ±0.20  
 X.X: ±0.25 X.XXX: ±0.15

SCALE: As Shown UNIT: mm  
 DRAW Wu Feng Rong DATE 24/03/2020  
 CHECK BobYang DATE 24/03/2020



Antenk® ANTENK ELECTRONICS CO., LTD  
 Http://www.antenk.com  
 E-mail:sales@antenk.com

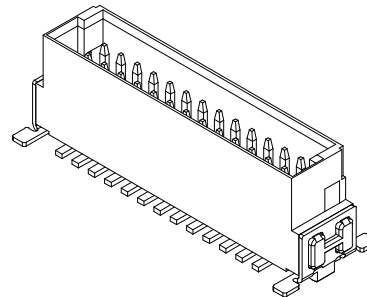
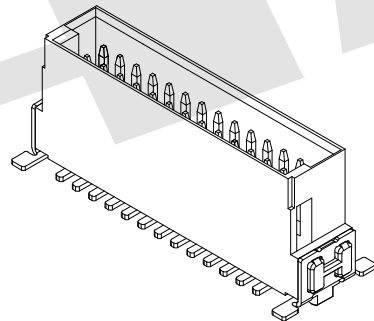
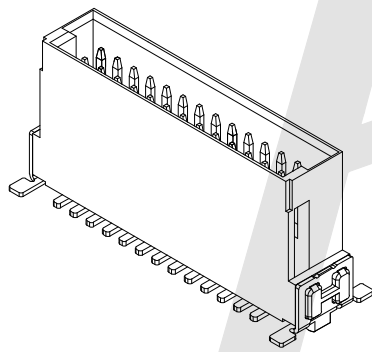
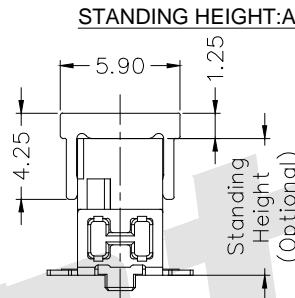
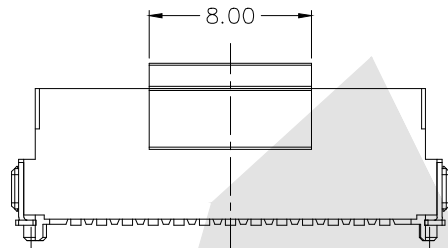
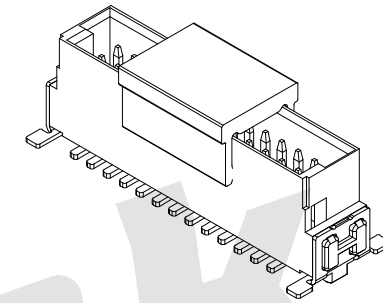
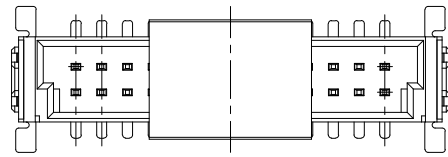
TITLE:  
 1.27 SMC Male Connector Vertical SMT Type

DRAWING NO: ATK-SMC04XXXXXX

PRODUCT NO: ATK-SMC04XXXXXX

REV	DESCRIPTION	DATE

HSF



**Specifications:**

Insulator Material: High Temp, Thermoplastic, UL94V-0 Board Lock Material: Brass  
 Contact Material: Phosphor Bronze  
 Contact Plating: Au (1 μ"/ 5 μ"/ 30 μ" Min.) on Contact Area.  
 Au (1 μ" Min.) or Sn (100 μ" Min.) on Solder tail.  
 Nickle (Contact - 80 μ" Min. / Solder tail - 50 μ" Min.)  
 Board Lock Plating: Sn(100 μ" Min.) over Nickel (40 μ" Min.)  
 Current Resistance: 1.2A Max. Volage-Withstand: 500V AC For 1 Minute  
 Conductor Resistance: Max: 25mΩ Insulation Resistance: Min: 1000MΩ Min  
 Operating Temp.: -55° C ~ +125° C  
 Max. Processing Temp.: 230° C for 30~60 seconds. 260° C for 10 seconds.  
 Durability Test: 500 mating cycles Insertion Force: 0.8N Max. (Per Contact)  
 Withdrawal Force: 0.4N Min. (Per Contact)

STANDING HEIGHT: C (9.85)

STANDING HEIGHT: B (8.25)

STANDING HEIGHT: A (6.75)

Unless Otherwise specified tolerance  
 X. ±0.35 X.XX: ±0.20  
 X.X: ±0.25 X.XXX: ±0.15

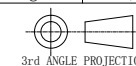
**Antenk**® ANTENK ELECTRONICS CO., LTD  
 Http://www.antenk.com  
 E-mail:sales@antenk.com

SCALE: As Shown	UNIT: mm
DRAW Wu Feng Rong	DATE 24/03/2020
CHECK BobYang	DATE 24/03/2020

TITLE:  
1.27 SMC Male Connector Vertical SMT Type

DRAWING NO: ATK-SMC04XXXXXX

PRODUCT NO: ATK-SMC04XXXXXX



REV	DESCRIPTION	DATE