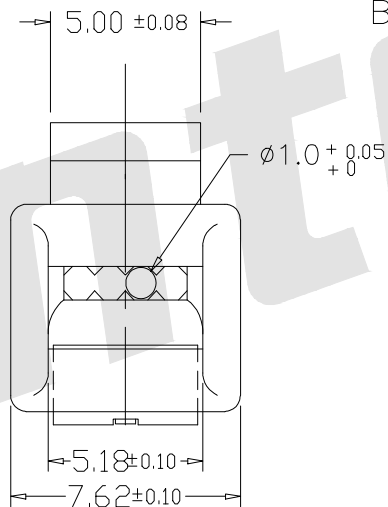
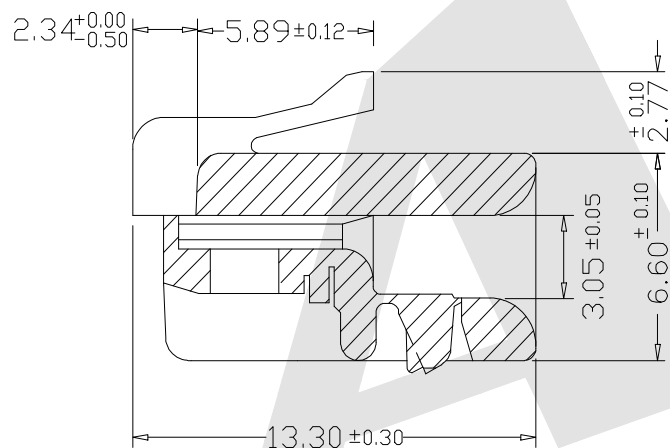
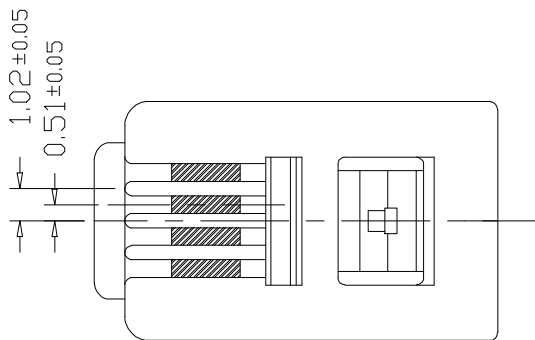


ROHS COMPLIANT



FEATURES:

1 Electrical Test:

- A.250V AC max at 2 amps.
- B.Dielectric with standing 500volts AC.
- C.Insulation Resistance:500 megaohms.
- D.Termination Resistance: 35megaohms.

2 Mechanical:

- A.Cable-to-Plug tensile strength-20LBs(89N)min.
 - B.Durability:500 mating cycles.
- Available for 24 or 26 AWG Wire

Ordering Code:

ATRP4P4C - X - X - X - 003

① ② ③ ④ ⑤

1. Series:

2. Housing Material:

- A:UL 94V-0
- B:UL 94V-2

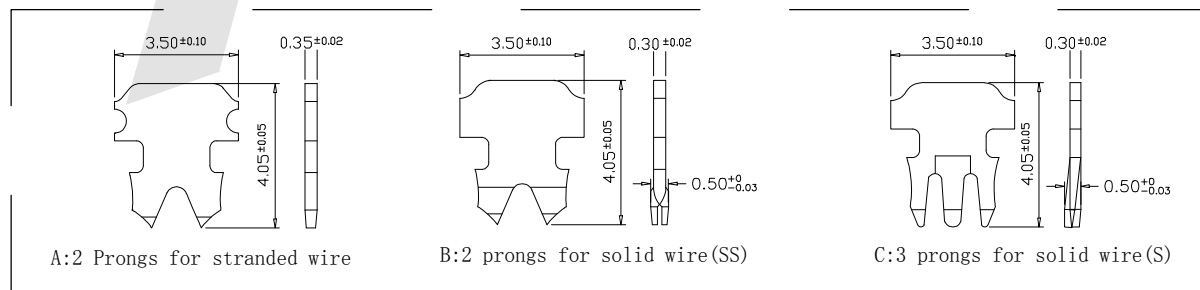
3. Contact Type:

- A:2 prongs for stranded wire
- B:2 prongs for solid wire(SS)
- C:3 prongs for solid wire(S)

4. Gold plating :

- A:1u" B:3u"
- C:6u" D:15u"
- E:30u" F:50u"

5. Serial number:



Unless Otherwise specified tolerance
 X.±0.35
 X.X:±0.25
 X.XX:±0.20
 X.XXX:±0.15

SCALE: As Shown

UNIT: mm

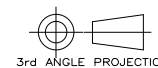
Antenk ANTENK ELECTRONICS CO.,LTD
[Http://www.antenk.com](http://www.antenk.com)
 E-mail:sales@antenk.com

Wu Feng Rong

TITLE:
Plug 4P4C Serial unshielded Type

CHECKED: YANG

DRAWING NO: ATRP4P4C-XXX-003



PRODUCT NO: ATRP4P4C-XXX-003

REV	DESCRIPTION	DATE
	Add option of plating	13/12/6