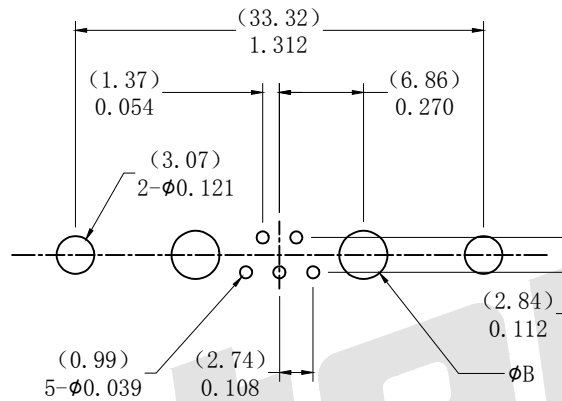
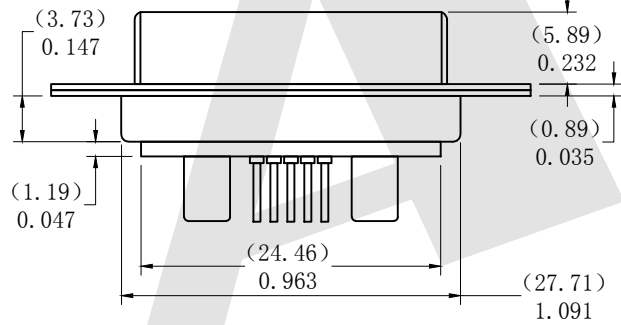
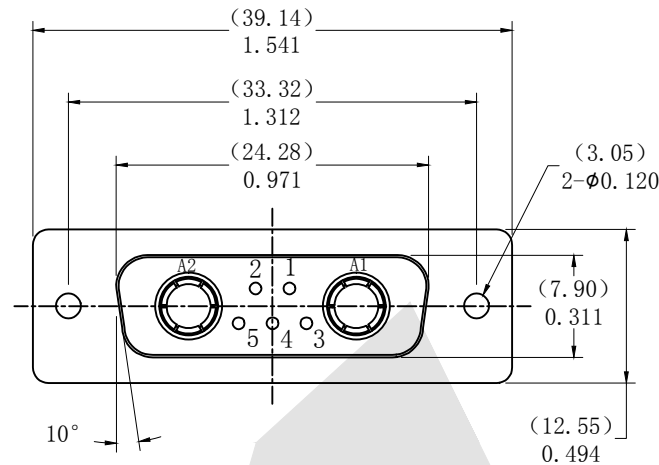


HSF

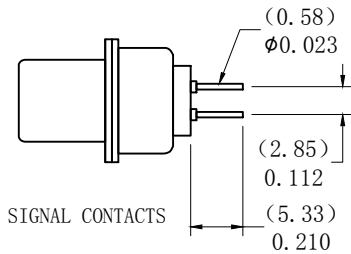
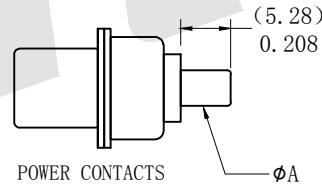


ROHS



RECOMMENDED PCB LAYOUT

NOTE:
SIGNAL AND POWER CONTACTS
SOME PRE-LOADED INTO INSULATORS



SPECIFICATIONS:

ELECTRICAL:
 INSULATOR RESISTANCE: 5,000 MegOHMS Min.
 DIELECTRIC WITHSTANDING: 1,000 VAC r.m.s.
 OPERATING TEMPERATURE: -55°C ~ +125°C
 CONTACT RESISTANCE: 30 MILLIOHMS Max.
 POWER PINS: SEE PART No. BELOW

MECHANICAL:
 CONTACT INSERTION FORCE: 4.5kg Max
 CONTACT SEPARATOR FORCE: 0.3kg Min

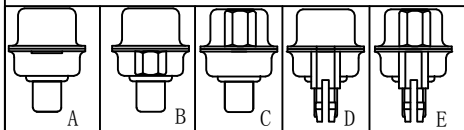
MATERIALS:
 CONTACTS: BRASS
 INSULATOR: PBT UL94V-0 RATED, 230°C PROCESS TEMP.

SHELL: STEEL
FINISH:
SHELL: NICKEL

Ordering Code:

PDB7W2 -F -A -G0 -B -20
 ① ② ③ ④ ⑤ ⑥

- ① Series
- ② Contact Type:
M: Male F: Female
- ③ Mounting Option:
A: No accessories
B: Rear Rivet
C: Front Rivet
D: Groundstand-off on rear shell
E: Front rivet+Groundstand-off on rear shell
- ④ Contact NO. :
G0: Gold flash
G1: 3u" Gold
G2: 5u" Gold
G3: 10u" Gold
G4: 15u" Gold
G5: 30u" Gold
- ⑤ Power AMP:
10 = 10AMPS;
20 = 20AMPS;
30 = 30AMPS;
40 = 40AMPS;
- ⑥ Insulation Color Code:
B: Black L: Blue
W: White



40 AMPS	φ3.75	φ4.0
30 AMPS	φ3.2	φ3.5
20 AMPS	φ2.8	φ3.0
10 AMPS	φ1.7	φ2.0
Current Rating	φA	PCB(φB)
	Dimension	

Unless Otherwise specified tolerance
 X. XX: ±0.20
 X. X: ±0.25 X. XXX: ±0.15

SCALE: As Shown UNIT: mm
 DRAW: Lv Xun Hua DATE: 05/05/2019
 CHECK: BobYang DATE: 05/05/2019



Antenk ANTENK ELECTRONICS CO., LTD
 Http://www.antenk.com
 E-mail:sales@antenk.com

TITLE:
 POWER D-SUB 7W2 DIP STRAIGHT-FEMALE TYPE

DRAWING NO: PDP7W2-FXXXX

PRODUCT NO: PDP7W2-FXXXX

REV	DESCRIPTION	DATE

Autodesk

Autodesk