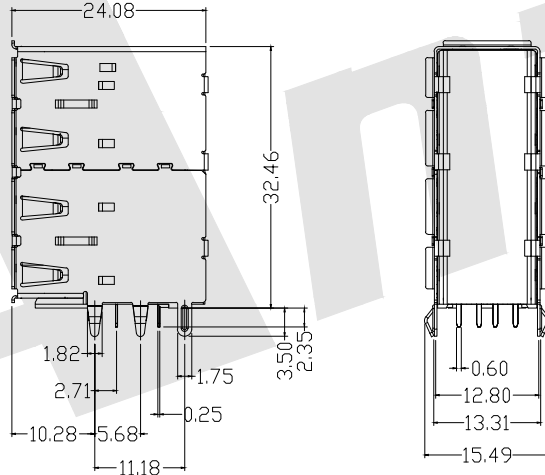
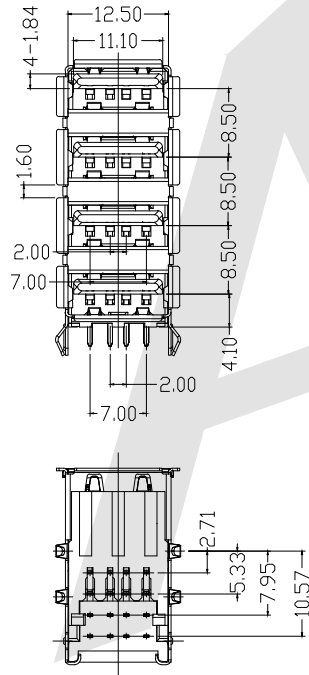
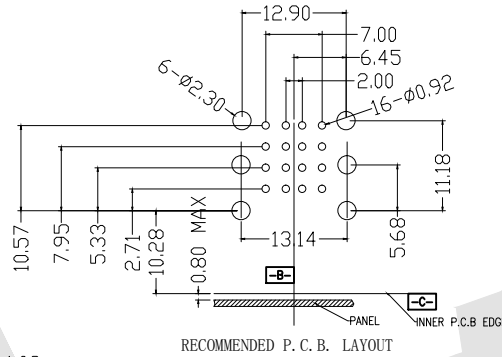
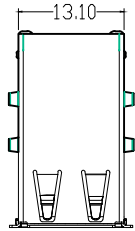


HSF



SPECIFICATIONS:

1. MATERIAL:

- 1.1 HOUSING: PBT WITH 30% GF, UL 94V-0, COLOR: BLACK.
- 1.2 CONTACTS: BRASS.
- 1.3 SHELL: SK7.
- 1.4 MIDDLE BULLET: SK7.

2. FINISH:

- 2.1 CONTACTS: GOLD FLASH PLATED ON CONTACT AREA, 100u"MIN. BRIGHT-TIN PLATED ON SOLDER TAIL, 50u"MIN. NICKEL UNDERPLATED OVERALL.
- 2.2 SHELL: 80u"MIN. BRIGHT-TIN OVER 50u" MIN. NICKEL ENTIRE ISOLATED.
- 2.3 MIDDLE BULLET: 50u" MIN. NICKEL PLATED OVERALL.

Ordering Code:

UAFR20 - X - X - X - X - X - X
 ① ② ③ ④ ⑤ ⑥ ⑦

① Series No:

② Shell Material:

- B: Brass
- I: Iron
- S: stainless steel

③ Insulator Material:

- P: PBT+30%GF
- L: LCP

④ Contact Material:

- B: Brass
- P: phosphor copper

⑤ Contact Plating

- G0: Gold flash
- G1: 3u" Gold
- G2: 5u" Gold
- G3: 10u" Gold
- G4: 15u" Gold
- G5: 30u" Gold

⑥ Color Insulator

- A: White B: Black

⑦ Packing

- A: Tray
- B: Bag

Unless Otherwise specified tolerance
 X. ±0.35 X.XX: ±0.20
 X.X: ±0.25 X.XXX: ±0.15



ANTENK ELECTRONICS CO., LTD
 Http://www.antenk.com
 E-mail: sales@antenk.com

SCALE: As Shown UNIT: mm

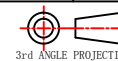
DRAW Lv Xun Hua DATE 17/06/2019

CHECK BobYang DATE 17/06/2019

TITLE: USB A Female Connector QUAD
 Port Right Angle Type

DRAWING NO: UAFR20-XXXXXX

PRODUCT NO: UAFR20-XXXXXX



3rd ANGLE PROJECTION

REV	DESCRIPTION	DATE
1		
2		
3		
4		
5		

DATE

1 2 3 4 5 6 7 8