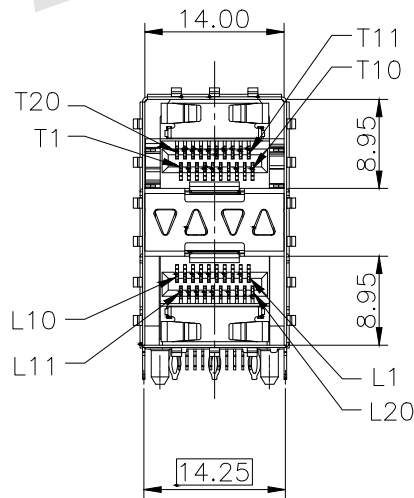
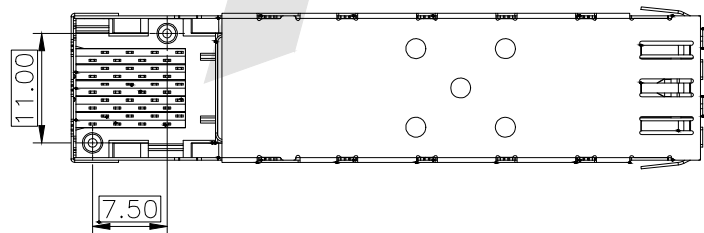
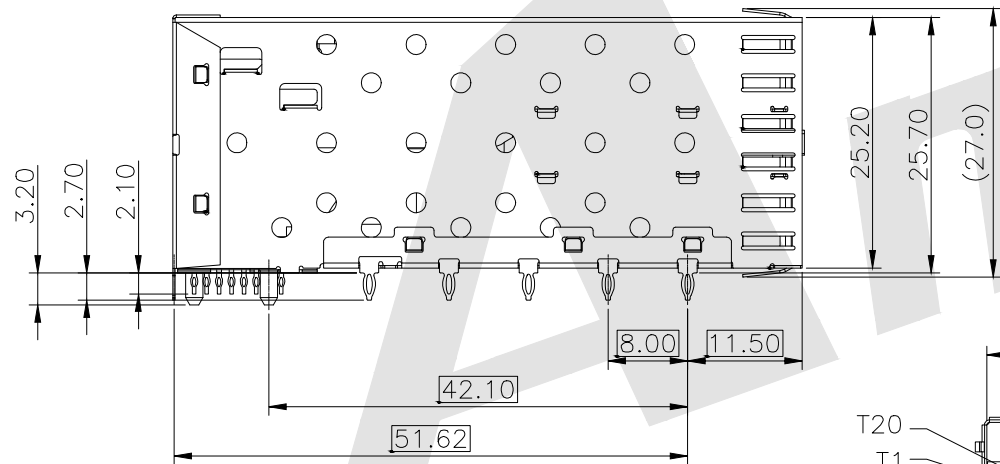
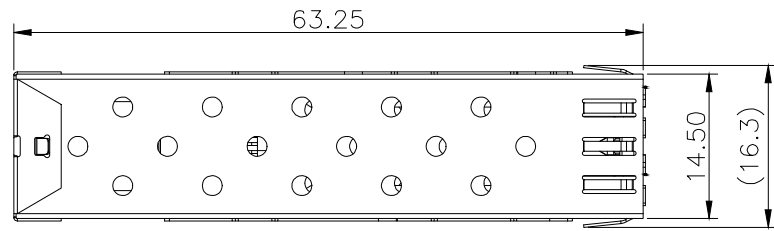


HSF



NOTES:
 MATERIAL:
 CAGE: NICKEL SILVER, THICKNESS 0.25mm
 CONNECTOR:
 PLASTIC HOUSING: HIGH TEMPERATURE LCP, UL94V-0.
 SPRING: STAINLESS STEEL, THICKNESS 0.20MM
 PLATING: 15u" MIN. GOLD ON MATING AREA, 150u" MIN. MATE TIN ON SOLDER TAILS.
 PACKAGING: TRAY PACKAGING.
 TEMPERATURE RANGE: -40°C TO +85°C

ORDER CODE:

ATSFP - IN32002-04B

① ②

① SFP CAGE

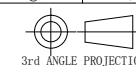
② Series number

Unless Otherwise specified tolerance
 X. ±0.35 X.XX: ±0.20
 X.X: ±0.25 X.XXX: ±0.15

Antenk® ANTENK ELECTRONICS CO., LTD
 Http://www.antenk.com
 E-mail:sales@antenk.com

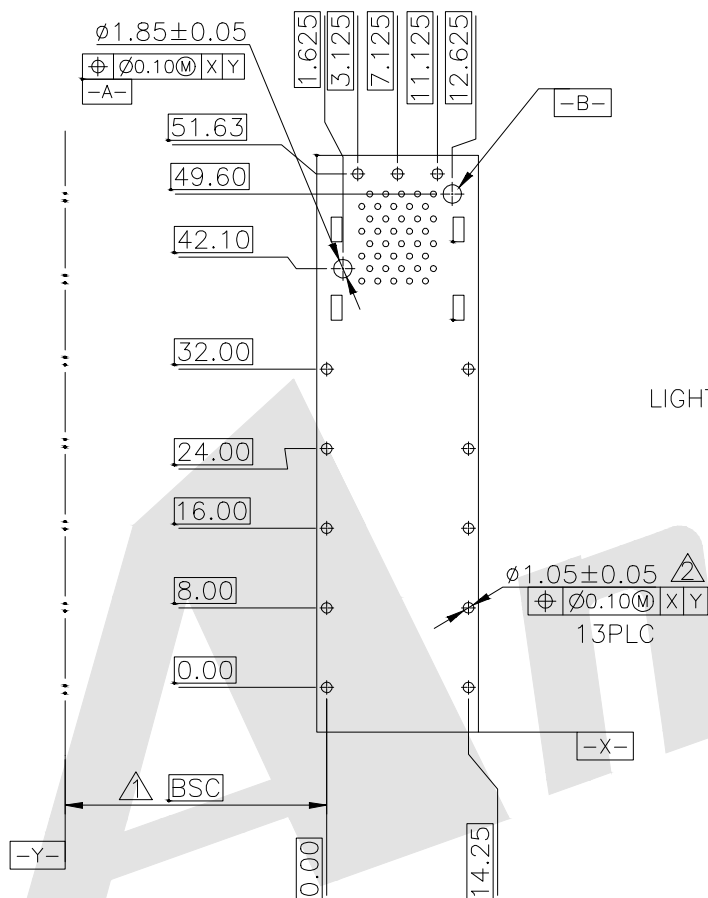
SCALE: As Shown UNIT: mm
 DRAW Lv Xun Hua DATE 27/07/2019
 CHECK BobYang DATE 27/07/2019

TITLE:
 SFP 2*1 CAGE+CONNECTOR WITH 4 LIGHT PIP

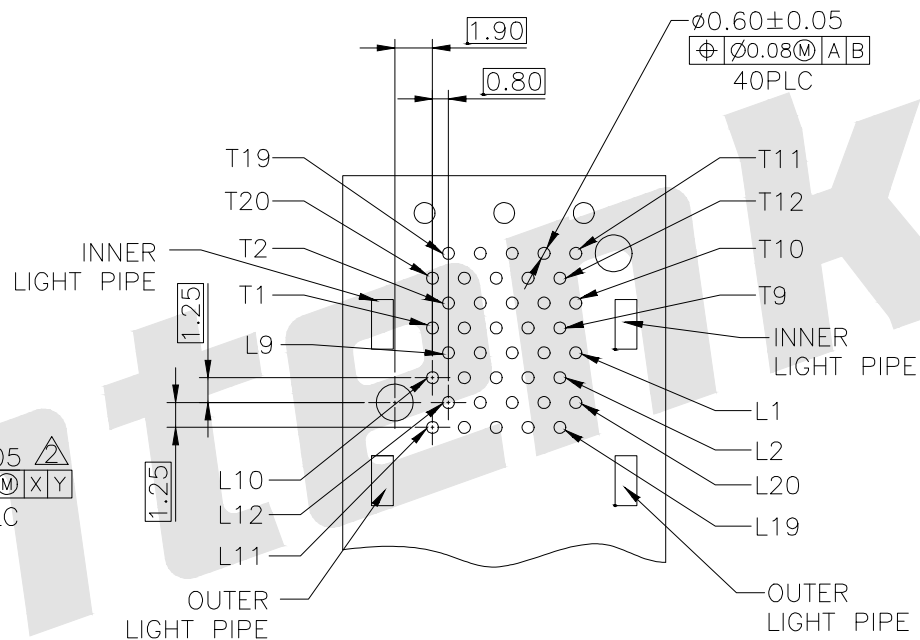


DRAWING NO: ATSFP - IN3A002-04B
 PRODUCT NO: ATSFP - IN3A002-04B

REV	DESCRIPTION	DATE
1		
2		
3		
4		
5		



ECOMMENDED PCB CONFIGURATION



NOTES:

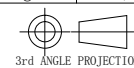
1. DATUM AND BASIC DIMENSIONS ESTABLISHED BY CUSTOMER.
2. 1.05 mm DIAMETER HOLES ARE CHASSIS GROUND .

Unless Otherwise specified tolerance
 X. ±0.35 X.XX: ±0.20
 X.X: ±0.25 X.XXX: ±0.15

Antenk® ANTENK ELECTRONICS CO.,LTD
[Http://www.antenk.com](http://www.antenk.com)
 E-mail:sales@antenk.com

SCALE: As Shown UNIT: mm
 DRAW Lv Xun Hua DATE 27/07/2019
 CHECK BobYang DATE 27/07/2019

TITLE:
 SFP 2*1 CAGE+CONNECTOR WITH 4 LIGHT PIP



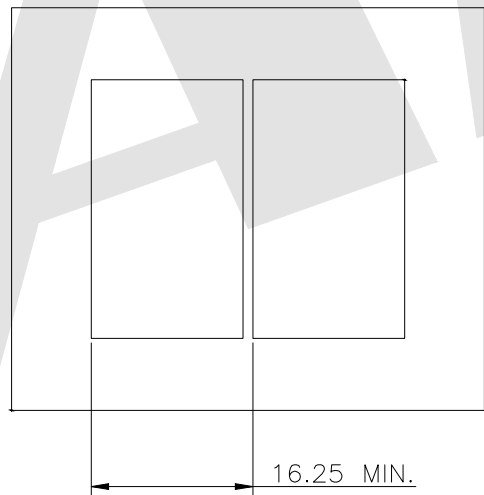
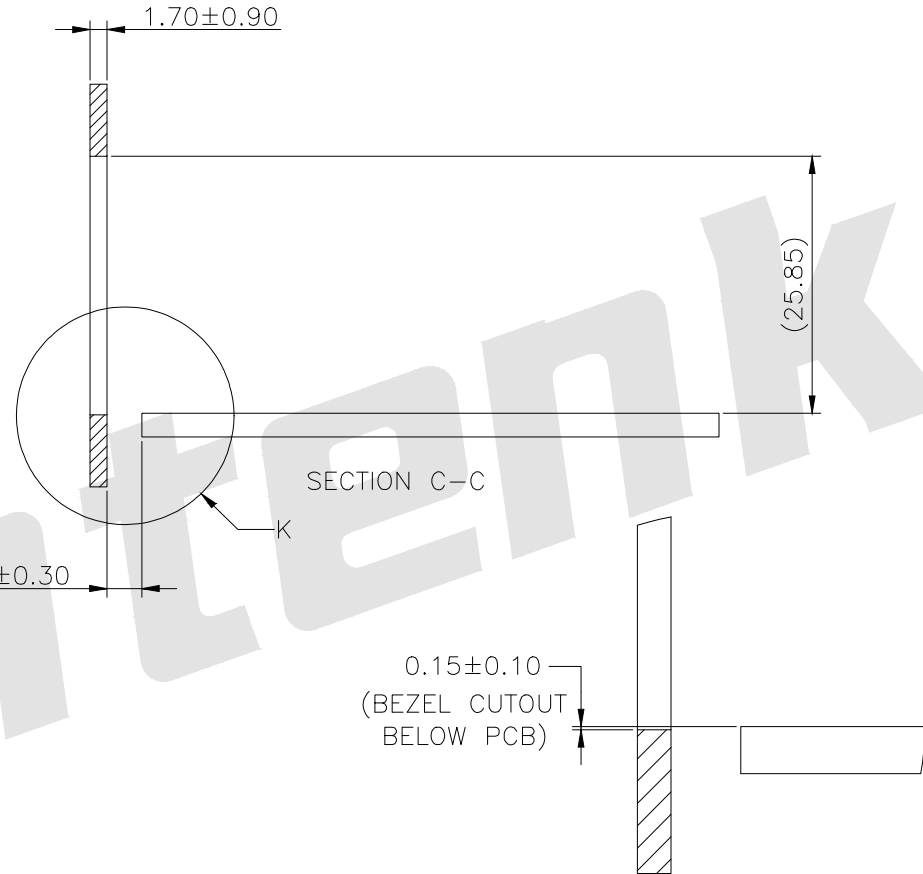
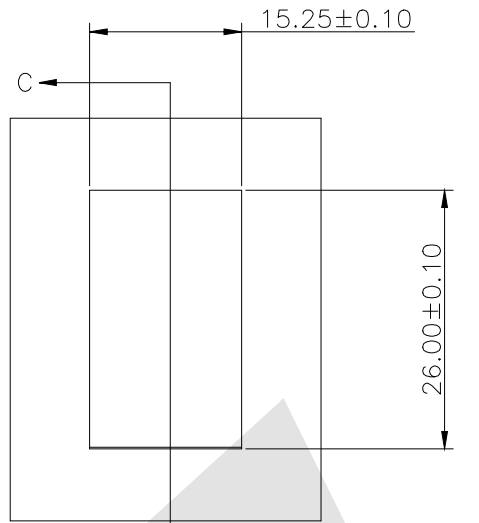
DRAWING NO: ATSFP - 1N3A002-04B
 PRODUCT NO: ATSFP - 1N3A002-04B

REV	DESCRIPTION	DATE
1		
2		
3		
4		
5		

HSF



ROHS



RECOMMENDED BEZEL DESIGN

DETAIL K
2:1

Unless Otherwise specified tolerance
 X. ±0.35 X.XX: ±0.20
 X.X: ±0.25 X.XXX: ±0.15



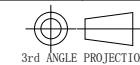
ANTENK ELECTRONICS CO., LTD
[Http://www.antenk.com](http://www.antenk.com)
 E-mail:sales@antenk.com

SCALE: As Shown	UNIT: mm
DRAW Lv Xun Hua	DATE 27/07/2019
CHECK BobYang	DATE 27/07/2019

TITLE:
SFP 2*1 CAGE+CONNECTOR WITH 4 LIGHT PIP

DRAWING NO: ATSFP - 1N3A002-04B

PRODUCT NO: ATSFP - 1N3A002-04B



REV	DESCRIPTION	DATE
1		
2		
3		
4		
5		