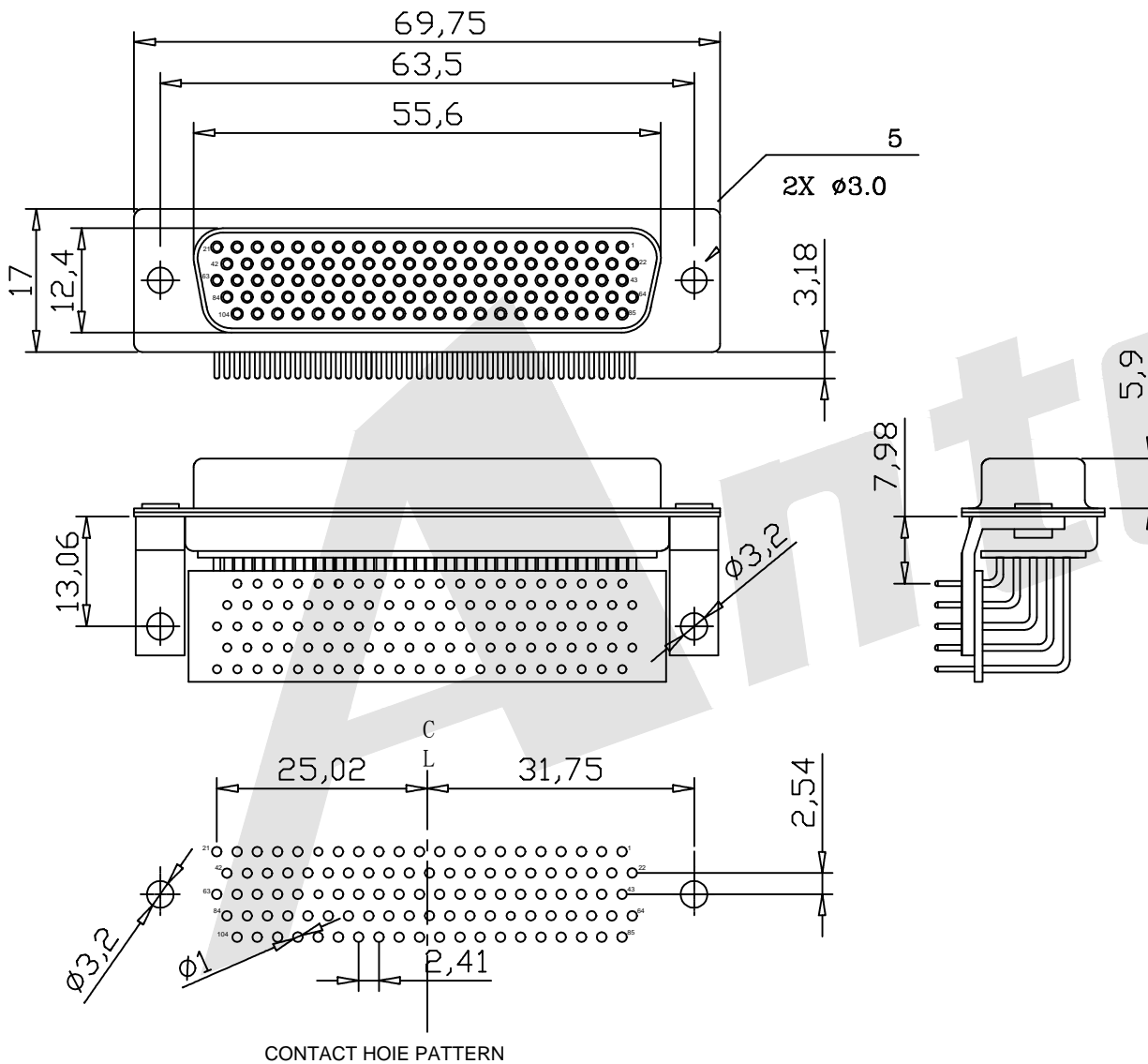


HSF



RoHS



**MATERIALS AND FINISH**

SHELL:STEEL MATERIAL, FRONT SHELL NICKEL FINISHED  
BACK SHELL NICKEL FINISHED

INSULATOR:PBT THERMOPLASTIC, 30% GLASS  
FILLED, UL 94V-0 RATED, WHITE COLOR

CONTACT MATERIAL:BRASS

CONTACT FINISH:FULL 2u" GOLD

**ELECTRICAL CHARACTERISTICS**

CONTACT CURRENT RATING : 5.0 AMPS

CONTACT RESISTANCE : 30 MILLIOHMS MAX.

DIELECTRIC WITHSTANDING VOLTAGE : 1000 V AC MIN

INSULATION RESISTANCE : 5000 MEGAOHMS MIN

TEMPERATURE RATING : -55°C ~ +105°C

Ordering Code:

**MHDR03 - F - X - X - X - X**

- ①
- ②
- ③
- ④
- ⑤
- ⑥

① MHDR Series

② Contact Type:  
F:Female

③ Contact NO. :  
104=104pin

④ Mounting Option:  
A: No accessories  
B:BRACKET WITH #4-40 INSERT,  
BOARD LOCK AND LOCATOR PLATE

⑤ Insulation Color Code:  
B:Black G:Grey  
W:White L:Blue

⑥ Contact Plating

- S: Selective Gold
- S1:Selective 3u" Gold
- S2:Selective 5u" Gold
- S3:Selective 10u" Gold
- S4:Selective 15u" Gold
- S5:Selective30u" Gold
- G0: Gold flash
- G1: 3u" Gold over
- G2: 5u" Gold over
- G3: 10u" Gold over
- G4: 15u" Gold over
- G5: 30u" Gold over

Unless Otherwise specified tolerance  
X. ±0.35 X.XX:±0.20  
X.X:±0.25 X.XXX:±0.15

SCALE: As Shown	UNIT: mm
DRAW Lv Xun Hua	DATE 04/03/2019
CHECK BobYang	DATE 04/03/2019



ANTENK ELECTRONICS CO., LTD  
Http://www.antenk.com  
E-mail:sales@antenk.com

TITLE:  
104PINS HIGH DENSITY FEMALE RIGHT ANGLE,  
MACHINE PIN

DRAWING NO: MHDR03-FXXXX

PRODUCT NO: MHDR03-FXXXX

REV	DESCRIPTION	DATE