

SPECIFICATIONS:

- Voltage rating: 250V AC/DC
- Current rating: 3A AC/DC
- Withstanding Voltage: 1000V AC/minute
- Insulation resistance: 1000MΩ Min.
- Temperature range: -25°C To +85°C
- Contact resistance: 20mΩ Max.

Standards

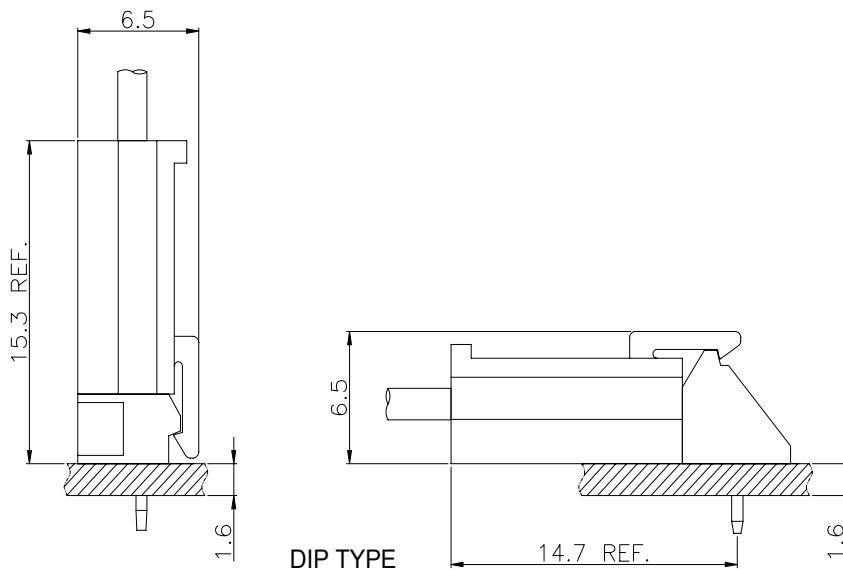
HSF



RoHS

Wire to Board

Assembly Layout

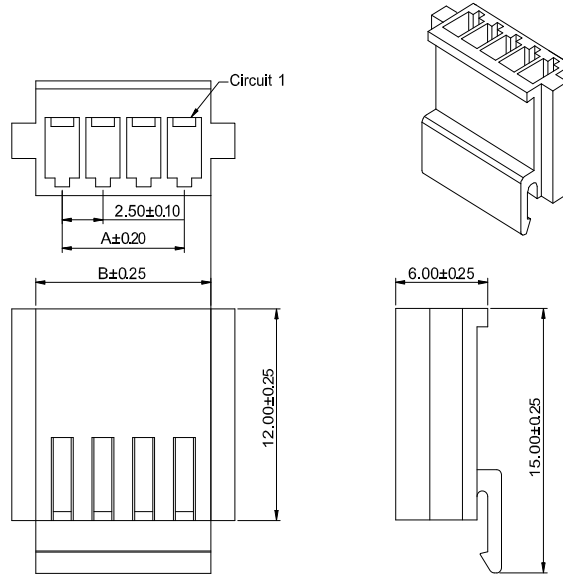


Connectors Expert Around You

2.50mm Pitch housing connector

HOUSING

- Part NO.: AH2504-xP
- Suitable: AT2504T series Terminal
- Mates with: AW2504 series Wafer
- Material: Nylon 66, UL94V-0
- Color: White



Ordering Information & Dimensions

| PART NO. | Dimensions | |
|------------|------------|-------|
| | A | B |
| AH2504-2P | 2.50 | 5.70 |
| AH2504-3P | 5.00 | 8.20 |
| AH2504-4P | 7.50 | 10.70 |
| AH2504-5P | 10.00 | 13.20 |
| AH2504-6P | 12.50 | 15.70 |
| AH2504-7P | 15.00 | 18.20 |
| AH2504-8P | 17.50 | 20.70 |
| AH2504-9P | 20.00 | 23.20 |
| AH2504-10P | 22.50 | 25.70 |
| AH2504-11P | 25.00 | 28.20 |
| AH2504-12P | 27.50 | 30.70 |
| AH2504-13P | 30.00 | 33.20 |
| AH2504-14P | 32.50 | 35.70 |
| AH2504-15P | 35.00 | 38.20 |
| AH2504-16P | 37.50 | 40.70 |
| AH2504-17P | 40.00 | 43.20 |
| AH2504-18P | 42.50 | 45.70 |
| AH2504-19P | 45.00 | 48.20 |
| AH2504-20P | 47.50 | 50.70 |
| AH2504-21P | 50.00 | 53.20 |
| AH2504-22P | 52.50 | 55.70 |
| AH2504-23P | 55.00 | 58.20 |
| AH2504-24P | 57.50 | 60.70 |
| AH2504-25P | 60.00 | 63.20 |

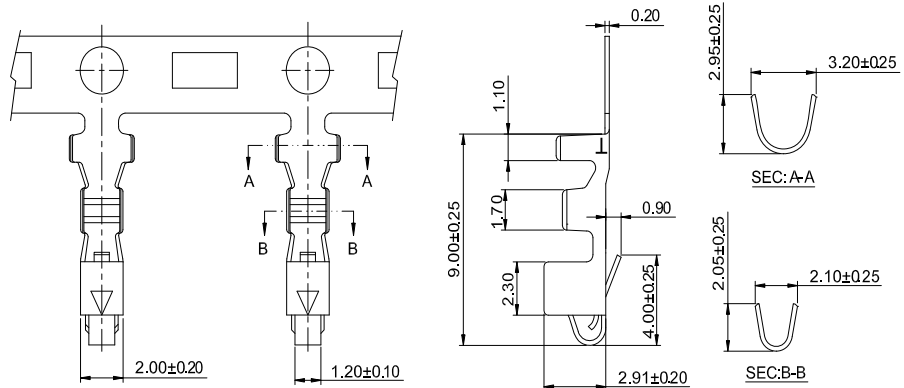
Unit: mm

Wire to Board

2.50mm Pitch crimp terminal connector

TERMINAL

- Part NO.: AT2504T-xP
- Applicable wire: AWG#22-#28
- Material: Phosphor Bronze
- Finish: Tin Plated or Gold
- Used in AH2504 series Housing



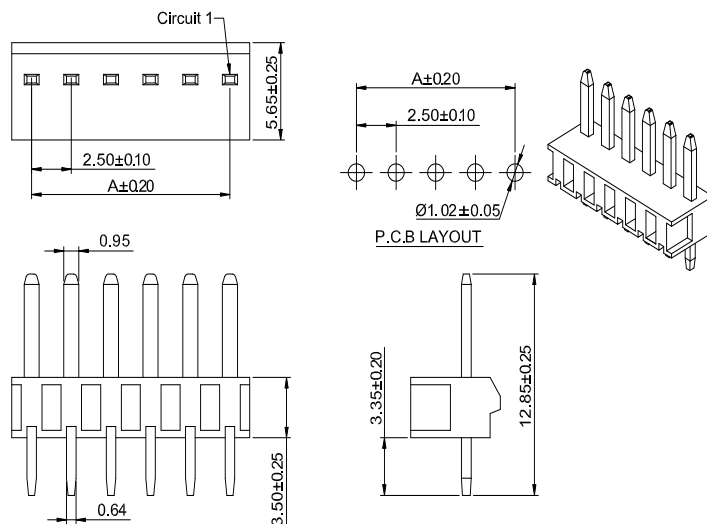
Ordering information & Specifications:

| Part NO. | Wire Range | Insulation O.D. | Material | Finish | Qty/reel |
|------------|-------------|-----------------|-----------------|------------------|-----------|
| AT2504T-TB | AWG #22-#28 | 1.80mm(max) | Brass | Tin over Nickel | 7,000 PCS |
| AT2504T-TP | AWG #22-#28 | 1.80mm(max) | Phosphor Bronze | Tin over Nickel | 7,000 PCS |
| AT2504T-GB | AWG #22-#28 | 1.80mm(max) | Brass | Gold over Nickel | 7,000 PCS |
| AT2504T-GP | AWG #22-#28 | 1.80mm(max) | Phosphor Bronze | Gold over Nickel | 7,000 PCS |

2.50mm Pitch 180° wafer connector

WAFER

- Part NO.: AW2504V-xP
- Material: Pin: Brass/Tin over Nickel
Insulator: Nylon 66, UL94V-0
- Mates with: AH2504 series Housing
- Color: White



Ordering Information & Dimensions

| PART NO. | Dimensions |
|-------------|------------|
| | A |
| AW2504V-2P | 2.50 |
| AW2504V-3P | 5.00 |
| AW2504V-4P | 7.50 |
| AW2504V-5P | 10.00 |
| AW2504V-6P | 12.50 |
| AW2504V-7P | 15.00 |
| AW2504V-8P | 17.50 |
| AW2504V-9P | 20.00 |
| AW2504V-10P | 22.50 |
| AW2504V-11P | 25.00 |
| AW2504V-12P | 27.50 |
| AW2504V-13P | 30.00 |
| AW2504V-14P | 32.50 |
| AW2504V-15P | 35.00 |
| AW2504V-16P | 37.50 |
| AW2504V-17P | 40.00 |
| AW2504V-18P | 42.50 |
| AW2504V-19P | 45.00 |
| AW2504V-20P | 47.50 |
| AW2504V-21P | 50.00 |
| AW2504V-22P | 52.50 |
| AW2504V-23P | 55.00 |
| AW2504V-24P | 57.50 |
| AW2504V-25P | 60.00 |

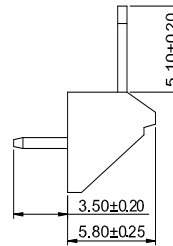
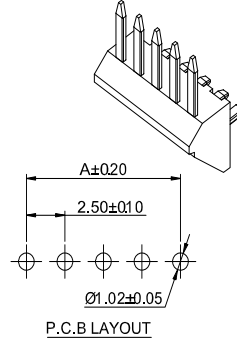
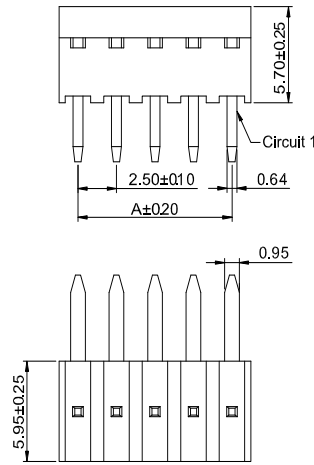
Unit: mm

Connectors Expert Around You

2.50mm Pitch 90° wafer connector

WAFER

- Part NO.:AW2504R-xP
- Material:Pin:Brass/Tin over Nickel
- Insulator:Nylon 66,UL94V-0
- Mates with:AH2504 series Housing
- Color:White



Ordering Information & Dimensions

| PART NO. | Dimensions | |
|-------------|------------|--|
| | A | |
| AW2504R-2P | 2.50 | |
| AW2504R-3P | 5.00 | |
| AW2504R-4P | 7.50 | |
| AW2504R-5P | 10.00 | |
| AW2504R-6P | 12.50 | |
| AW2504R-7P | 15.00 | |
| AW2504R-8P | 17.50 | |
| AW2504R-9P | 20.00 | |
| AW2504R-10P | 22.50 | |
| AW2504R-11P | 25.00 | |
| AW2504R-12P | 27.50 | |
| AW2504R-13P | 30.00 | |
| AW2504R-14P | 32.50 | |
| AW2504R-15P | 35.00 | |
| AW2504R-16P | 37.50 | |
| AW2504R-17P | 40.00 | |
| AW2504R-18P | 42.50 | |
| AW2504R-19P | 45.00 | |
| AW2504R-20P | 47.50 | |
| AW2504R-21P | 50.00 | |
| AW2504R-22P | 52.50 | |
| AW2504R-23P | 55.00 | |
| AW2504R-24P | 57.50 | |
| AW2504R-25P | 60.00 | |

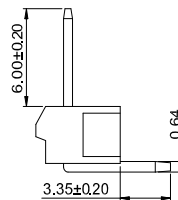
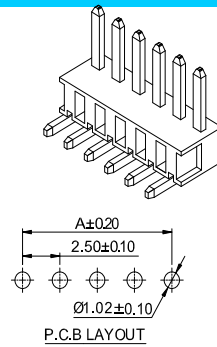
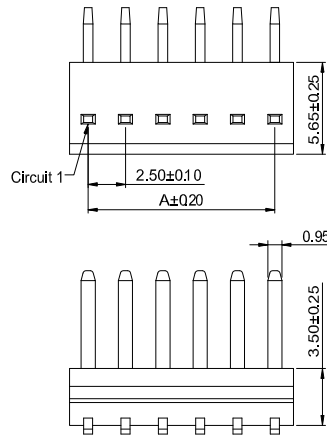
Unit: mm

Wire to Board

2.50mm Pitch 180° wafer connector

WAFER

- Part NO.:AW2504RA-xP
- Material:Pin:Brass/Tin over Nickel
- Insulator:Nylon 66,UL94V-0
- Mates with:AH2504 series Housing
- Color:White



Ordering Information & Dimensions

| PART NO. | Dimensions | |
|--------------|------------|--|
| | A | |
| AW2504RA-2P | 2.50 | |
| AW2504RA-3P | 5.00 | |
| AW2504RA-4P | 7.50 | |
| AW2504RA-5P | 10.00 | |
| AW2504RA-6P | 12.50 | |
| AW2504RA-7P | 15.00 | |
| AW2504RA-8P | 17.50 | |
| AW2504RA-9P | 20.00 | |
| AW2504RA-10P | 22.50 | |
| AW2504RA-11P | 25.00 | |
| AW2504RA-12P | 27.50 | |
| AW2504RA-13P | 30.00 | |
| AW2504RA-14P | 32.50 | |
| AW2504RA-15P | 35.00 | |
| AW2504RA-16P | 37.50 | |
| AW2504RA-17P | 40.00 | |
| AW2504RA-18P | 42.50 | |
| AW2504RA-19P | 45.00 | |
| AW2504RA-20P | 47.50 | |
| AW2504RA-21P | 50.00 | |
| AW2504RA-22P | 52.50 | |
| AW2504RA-23P | 55.00 | |
| AW2504RA-24P | 57.50 | |
| AW2504RA-25P | 60.00 | |

Unit: mm