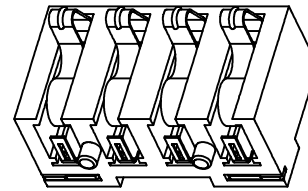
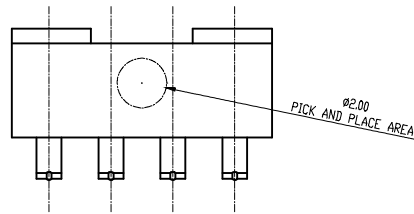


HSF

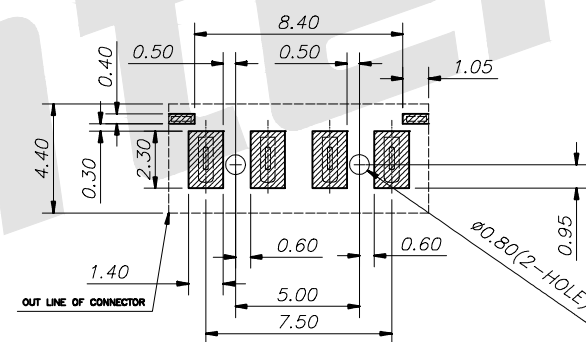
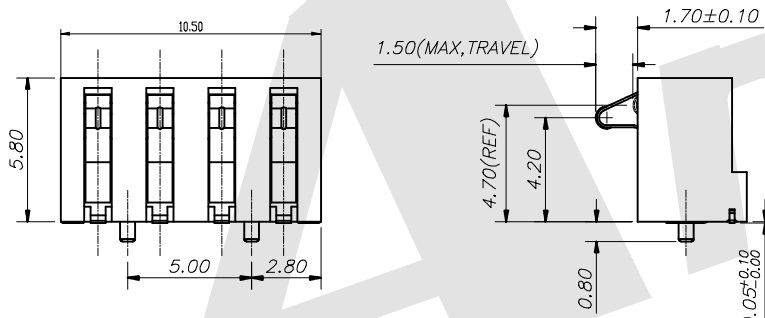


ROHS



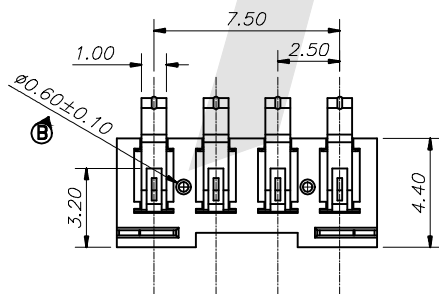
NOTES

- MATERIAL:
  - PIN: BERYLLIUM COPPER
  - INSULATOR: 30% GLASS-FILLED THERMOPLASTIC LCP OR EQUIVALENT UL94V-0, BLACK.
- FINISH: CONTACT: GOLD FLASH (1° MIN.) ALL OVER, 50-100 MICRINCH (1.27-2.54 MICRON) NICKEL UNDERPLATED ALL OVER  
SOLDER TAB: 50-100 (1.27-2.54 MICRON) MICRINCH MATTE TIN, 10-100 MICRINCH (1.27-2.54 MICRON) NICKEL UNDERPLATED
- ELECTRICAL SPECIFICATIONS:
  - VOLTAGE RATING: 250 VAC MIN
  - CURRENT RATING: 2.0 A MIN
  - DIELECTRIC STRENGTH: 1000 VAC FOR 1 MINUTE MIN
  - INSULATION RESISTANCE: 1000 MEG OHM MIN
  - CONTACT RESISTANCE: 30 MILLI OHM MAX
  - OPERATION TEMPERATURE: -55° C TO +125° C
  - PRODUCT WITHSTANDING REFLOW SOLDERING 260° FOR 10S
- MECHANICAL SPECIFICATIONS:
  - DURABILITY: 5,000 CYCLES
  - NORMAL FORCE AT MATED POSITION: 60g MIN
  - NORMAL FORCE AT FULL STROKE: 100g MIN
- PARTS TO BE PACKAGED IN ANTI-STATIC TAPE AND REEL FOR AUTOMATIC PLACEMENT.
- THE CAVITY IS 0.8 ± 0.10mm HIGH WITH 0.10 ± 0.10mm RECESSED FROM SURFACE.



General Tolerance: ±0.05mm

Recommended PCB layout



Ordering Code:

ABT08 - 04 - L - B - X - D  
① ② ③ ④ ⑤ ⑥

- |                       |                    |
|-----------------------|--------------------|
| ① Series No:          | ⑤ Contact Plating: |
| ② No. of Contacts     | G0: Gold flash     |
| 04: 04Pin             | G1: 3u" gold       |
| ③ Insulator Material: | G2: 5u" gold       |
| P: PBT+30%GF          | G3: 10u" gold      |
| L: LCP                | G4: 15u" gold      |
| ④ Pitch               | G5: 30u" gold      |
| B: 2.5mm Pitch        | ⑥ Packing:         |
|                       | A: Tray            |
|                       | B: Bag             |
|                       | C: Tube            |
|                       | D: Tape Reel       |

Unless Otherwise specified tolerance  
X. ±0.35 X.XX: ±0.20  
X.X: ±0.25 X.XXX: ±0.15

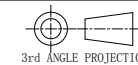
SCALE: As Shown	UNIT: mm
DRAW Wu Feng Rong	DATE 22/03/2018
CHECK BobYang	DATE 22/03/2018

**Antenk** ANTENK ELECTRONICS CO., LTD  
Http://www.antenk.com  
E-mail:sales@antenk.com

TITLE:  
2.5mm Pitch 4P Battery SMT Connector

DRAWING NO: ABT08-04LBXD

PRODUCT NO: ABT08-04LBXD



REV	DESCRIPTION	DATE
1		
2		