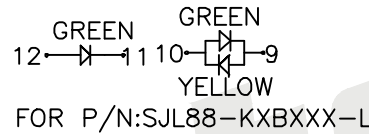
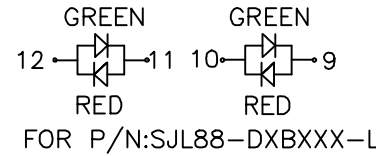
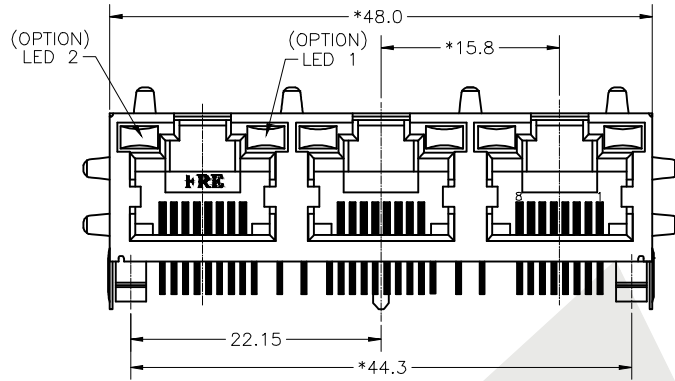


HSF



ROHS



NOTES:

MATERIAL:

- HOUSING MATERIAL: GLASS FILLED POYESTER UL94V-0.
 - CONTACT MATERIAL: PHOSPHOR BRONZE $t=0.3\text{mm}$
 - PLATING: SELECTING GOLD PLATING $1\mu\sim 50\mu$ OVER NICKEL IN CONTACT AREA. 150μ TIN PLATIN. OVER NICKEL IN SOLDER AREA
 - SHIELD: 0.2mm THICKNESS COPPER WITH NICKEL PLATE ELECTRICAL
- ELECTRICAL
- VOLTAGE RATING: 125VAC RMS
 - CURRENT RATING: 1.5AMP
 - CONTACT RESISTANCE: 30MILLIOHMS MAX
 - INSULATION RESISTANCE 500MEGOHMS MIN @500V DC
 - DIELECTRIC WITHSTANDING RESISTANCE : 1000V AC RMS 50Hz. 1MIN

MECHANICAL

- DURRABILITY: 750 CYCLES MIN
 - PCB RETENTION PRB-SOLDER: 1 LB MIN ENVIRONMENTAL
1. STORAGE: -40°C TO 85°C
2. OPERATION: 0°C TO 70°C

Order code:

ATRJ5622 - 8P - 8C - X - C - C - B

① ② ③ ④ ⑤ ⑥ ⑦

① SERIES NO:

② NUMBER OF POSITIONS (10P, 8P, 6P, 4P)

③ NUMBER OF CONTACTS (10C, 8C, 6C, 4C)

④ Contact Plating

- G0: Gold flash
- G1: 3U" Gold
- G2: 5U" Gold
- G3: 10U" Gold
- G4: 15U" Gold
- G5: 30U" Gold
- SN: Tin

⑥ Ports

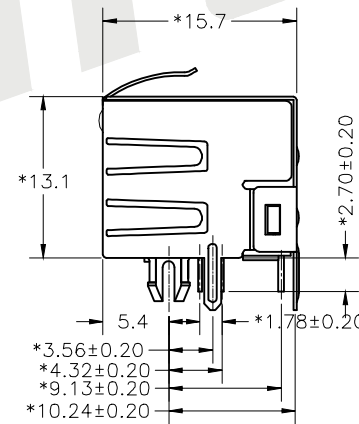
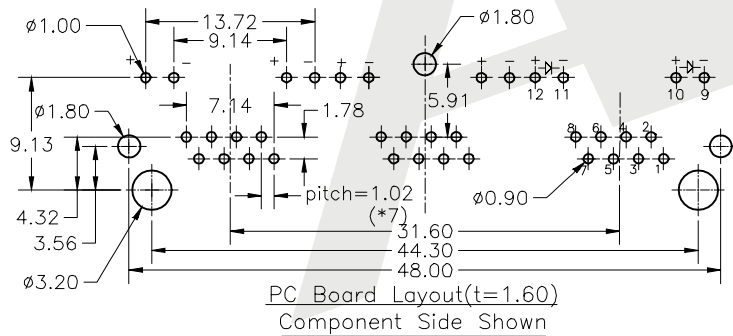
- A: 1X1P G: 2X1P
- B: 1X2P H: 2X2P
- C: 1X4P I: 2X3P
- D: 1X5P J: 2X4P
- E: 1X6P K: 2X6P
- F: 1X8P L: 2X8P

⑤ Shield

- A: W/O Shield
- B: Half Shield
- C: Shield W/Eml
- D: Shield W/O Eml

⑦ LED STYLE:

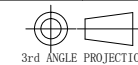
- A: W/O LED
- B: LEFT YELLOW/RIGHT GREEN
- C: LEFT GREEN/RIGHT YELLOW
- D: LEFT RED/RIGHT GREEN
- E: LEFT GREEN/RIGHT RED
- F: LEFT YELLOW/RIGHT YELLOW
- G: LEFT GREEN/RIGHT GREEN



Unless Otherwise specified tolerance

X. ±0.35 X.XX: ±0.20
X.X: ±0.25 X.XXX: ±0.15

SCALE: As Shown UNIT: mm
DRAW Wu Feng Rong DATE 22/03/2018
CHECK BobYang DATE 22/03/2018



Antenk® ANTENK ELECTRONICS CO., LTD
Http://www.antenk.com
E-mail: sales@antenk.com

TITLE: RJ45 Jack side entry, Full shielded with LED, with EMI 1X3P

DRAWING NO: ATRJ5622-8P8C-X-C-C-B

PRODUCT NO: ATRJ5622-8P8C-X-C-C-B

REV DESCRIPTION DATE

1 2 3 4 5 6 7 8