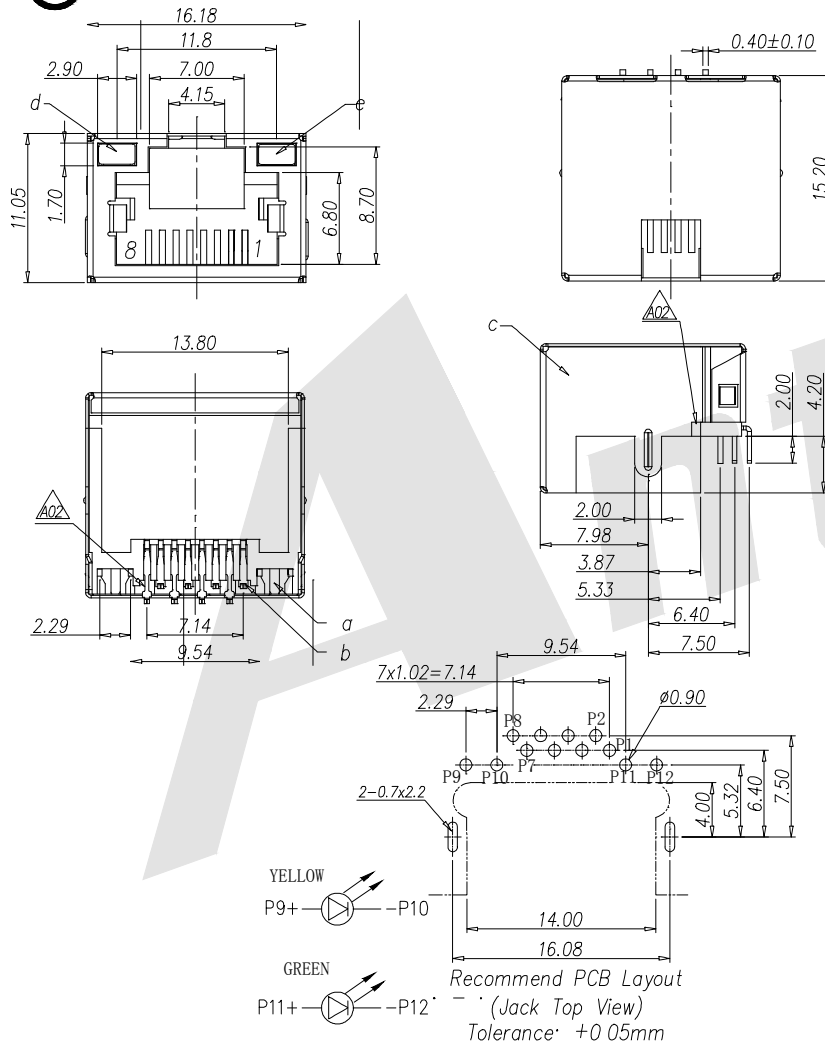


HSF

ROHS



1. HOUSING MATERIAL: GLASS FILLED POLYESTER UL94V-0
 2. CONTACT MATERIAL: COPPER ALLOY 0.35mm MIN THICKNESS
 3. PLATING: 1, 3, 5, 15, 30u" GOLD PLATED ON CONTACT AREA 100u" MIN MATIE TIN PLATED ON SOLDERING AREA 50u" MIN. NICKEL PLATED OVERALL
 4. SHELL: COPPER ALLOY 0.25MM THICKNESS 30u" MIN .NICKEL PLATED OVERALL
- ELECTRICAL:
- VOLTAGE RATING: 125V AC RMS
 - CURRENT RAIING: 1.5AMP
 - CONTACT RESISTANCE: 30 MILLIOHMS MAX
 - INSULATION RESISTANCE: 500 MEGOHMS MIN @500V DC
 - DIELECTRIC WITHSTANDING RESISTANCE: 1000V AC RMS 50HZ 1MIN
- MECHANICAL:
- DURRABILITY: 750 CYCLES MIN
 - PCB RETENTION PER-SOLDER: 1LB MIN
- ENVIRONMENTAL:
- STORAGE: -40°C ~ +85°C
 - OPERATION: 0°C ~ +70°C

Order Code:

ATRJ5836 - 8P - 8C - X - A - X

- | | | | | | |
|--------------|------------------------------------|-----------------------------------|---------------------------|-------------------|-----------------------------|
| ① | ② | ③ | ④ | ⑤ | ⑥ |
| ① SERIES NO: | ② NUMBER OF POSITIONS (8P, 6P, 4P) | ③ NUMBER OF CONTACTS (8C, 6C, 4C) | ④ Contact Plating | ⑤ Shield | ⑥ LED STYLE: |
| | | | G0: Gold flash | A: W/O Shield | A: LEFT YELLOW/RIGHT GREEN |
| | | | G1: 3U _s Gold | B: Half Shield | B: LEFT GREEN/RIGHT YELLOW |
| | | | G2: 5U _s Gold | C: Shield W/Eml | C: LEFT RED/RIGHT GREEN |
| | | | G3: 10U _s Gold | D: Shield W/O Eml | D: LEFT GREEN/RIGHT RED |
| | | | G4: 15U _s Gold | | E: LEFT YELLOW/RIGHT YELLOW |
| | | | G5: 30U _s Gold | | F: LEFT GREEN/RIGHT GREEN |
| | | | SN: Tin | | |

Unless Otherwise specified tolerance
 X. ±0.35 X.XX: ±0.20
 X.X: ±0.25 X.XXX: ±0.15



ANTENK ELECTRONICS CO., LTD
 Http://www.antenk.com
 E-mail:sales@antenk.com

SCALE: As Shown UNIT: mm

DRAW Wu Feng Rong DATE 22/03/2018

CHECK BobYang DATE 22/03/2018

TITLE: RJ45 8P8C Sink In EMI Type

DRAWING NO: ATRJ5836-8P8C-X-A-X

PRODUCT NO: ATRJ5836-8P8C-X-A-X



REV	DESCRIPTION	DATE
1		
2		
3		
4		
5		
6		
7		
8		