

HSF



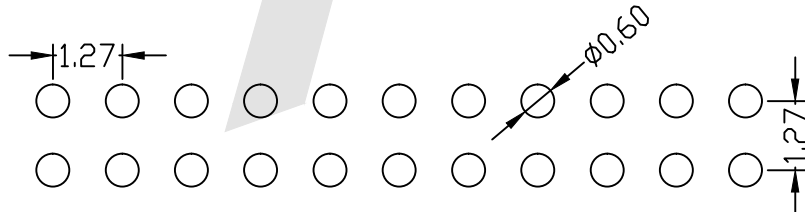
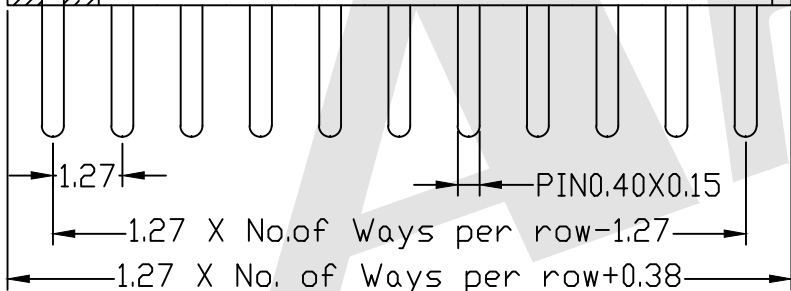
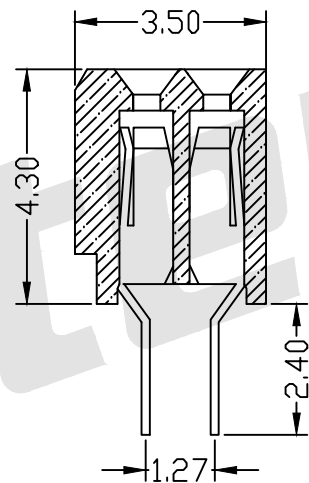
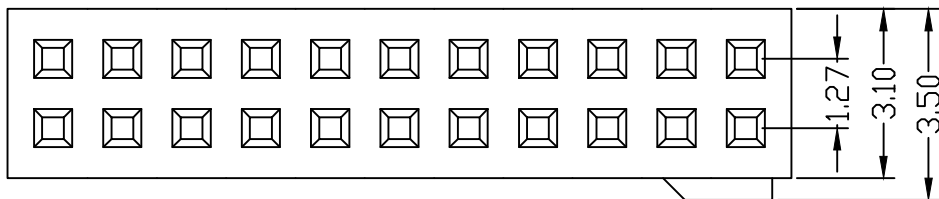
SPECIFICATION

Current Rating: 1Amp
 Insulation Resistance: 1000M ohms min
 Contact Resistance: 20M ohms max
 Dielectric Withstanding: AC500V
 Operating Temperature: -65°C to +125°C
 Contact Material: Brass
 Insulator Material: PA6T UL 94V-0 Black

Ordering Code:

FHCS09 - X - X - D - X - X - X
 ① ② ③ ④ ⑤ ⑥ ⑦

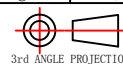
- ① Series No:
- ② No. of Contacts: 02 To 100
- ③ Contact Plating:
 - G0: Gold flash S0: Selective
 - G1: 3u" Gold S1: Selective 3u"
 - G2: 5u" Gold S2: Selective 5u"
 - G3: 10u" Gold S3: Selective 10u"
 - G4: 15u" Gold S4: Selective 15u"
 - G5: 30u" Gold S5: Selective 30u"
 - SN: Tin
- ④ Connector Type: D: Dual
- ⑤ Plastic High: H: 4.3
Please mark the desired length in the H
- ⑥ Insulator Material:
 - B: PA6T
 - C: LCP
 - E: PA9T
- ⑦ Packing:
 - A: Tray
 - B: Bag
 - T: Tube
 - U: Tube+CAP
 - R: Tape&Reel
 - W: Tape&Reel+CAP



PCB LAYOUT

Unless Otherwise specified tolerance
 X. ±0.35 X.XX: ±0.20
 X.X: ±0.25 X.XXX: ±0.15

SCALE: As Shown UNIT: mm
 DRAW: YG ZHONG DATE: 01/05/2016
 CHECK: BobYang DATE: 01/05/2016



Antenk ANTENK ELECTRONICS CO., LTD
 Http://www.antenk.com
 E-mail: sales@antenk.com

TITLE:
 1.27mm Female Header Dual Row Straight Type

DRAWING NO: FHCS09-XXDXXX
 PRODUCT NO: FHCS09-XXDXXX

REV	DESCRIPTION	DATE