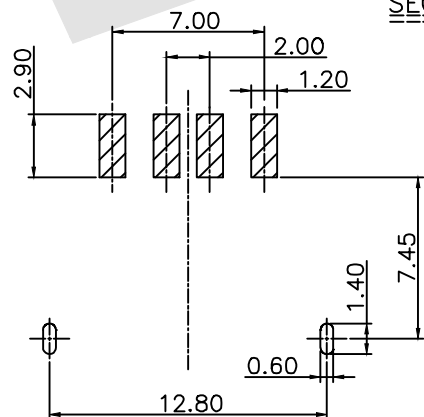
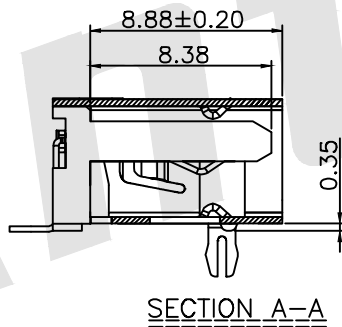
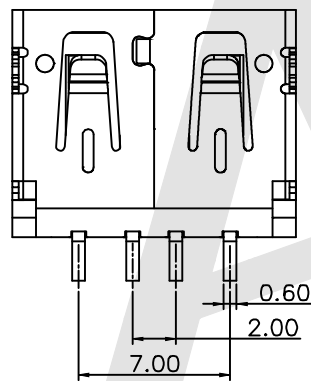
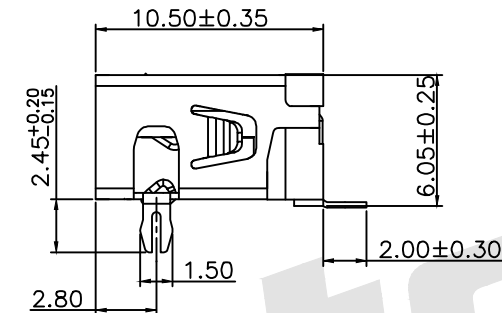
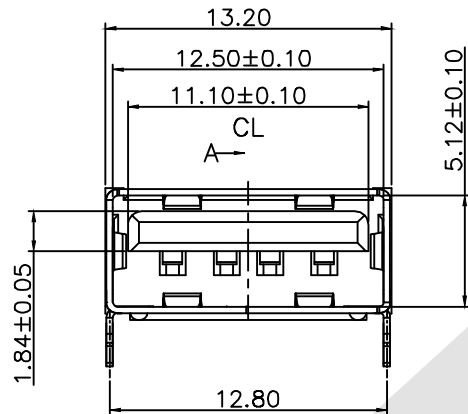


HSF



Specifications:

Current Rating: 1.5A Max  
 Contact Resistance: 30 milliohms MAX  
 Dielectric Withstanding Voltage: 500V AC AT Sea Level  
 Insulation Resistance: 1000 Megohms MIN  
 Housing: Temperature Thermoplastics, LCP UL 94V-0  
 Contact: Copper Alloy T=0.25mm Plated Gold in Mating Area; Tin On Solder Tails  
 Shell: Iron T=0.30mm Nickel/Plating

Ordering Code:

UAFM03 - X - X - X - X - X - X  
 ① ② ③ ④ ⑤ ⑥ ⑦

- ① Series No:
- ② Shell Material:  
B:Brass I:Iron S:stainless steel
- ③ Insulator Material:  
P:PBT+30%GF L:LCP
- ④ Contact Material:  
B:Brass P:phosphor copper
- ⑤ Contact Plating:  
G0: Gold flash  
G1: 3u" Gold  
G2: 5u" Gold  
G3: 10u" Gold  
G4: 15u" Gold  
G5: 30u" Gold
- ⑥ Color Insulator:  
A:White B:Black
- ⑦ Packing:  
A:Tray B:Bag C:Tube D:Tape & Reel

Unless Otherwise specified tolerance  
 X. ±0.35 X.XX: ±0.20  
 X.X: ±0.25 X.XXX: ±0.15

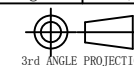
**Antenk** ANTENK ELECTRONICS CO.,LTD  
 Http://www.antenk.com  
 E-mail:sales@antenk.com

SCALE: As Shown UNIT: mm  
 DRAW: Lv Xun Hua DATE: 17/06/2019  
 CHECK: BobYang DATE: 17/06/2019

TITLE: USB A Type Receptacle SMT

DRAWING NO: UAFM03-XXXXXX

PRODUCT NO: UAFM03-XXXXXX



REV	DESCRIPTION	DATE
1		
2		
3		
4		
5		