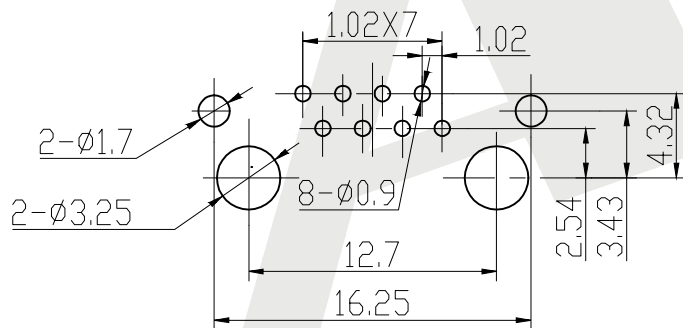
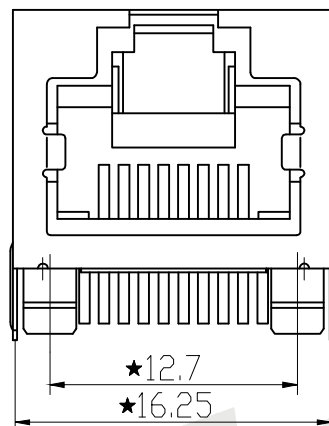
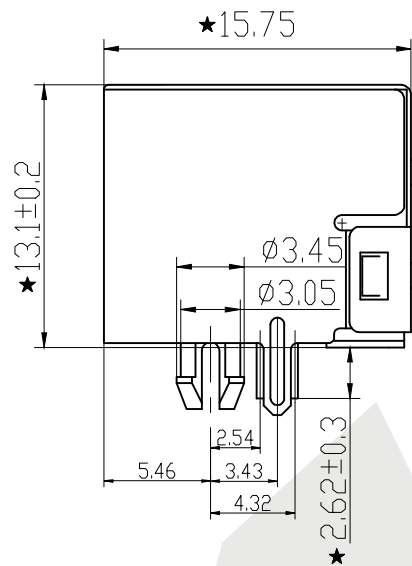


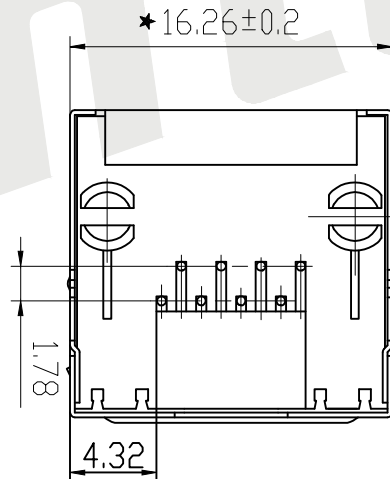
HSF



ROHS



PC BOARD LAYOUT



PCB JACK Specification

1. Insulation Resistance: 500MΩ Min @ 500VDC
2. Withstanding Voltage: AC1000V 50Hz OR 60 Hz 1min
3. Durability: 600 Mating Circle: MIN
4. Gold Plating: (3;5;10;15;30)u MM

Remark:

1. The mark with ★ is the key insertion dimension for QC

Order code:

ATRJ5621 - 8P - 8C - X - D - A - A
 ① ② ③ ④ ⑤ ⑥ ⑦

- ① SERIES NO:
- ② NUMBER OF POSITIONS (10P, 8P, 6P, 4P)
- ③ NUMBER OF CONTACTS (10C, 8C, 6C, 4C)
- ④ Contact Plating
 G0: Gold flash
 G1: 3U" Gold
 G2: 5U" Gold
 G3: 10U" Gold
 G4: 15U" Gold
 G5: 30U" Gold
 SN: Tin
- ⑤ Shield
 A: W/O Shield
 B: Half Shield
 C: Shield W/Eml
 D: Shield W/O Eml
- ⑥ Ports
 A: 1X1P G: 2X1P
 B: 1X2P H: 2X2P
 C: 1X4P I: 2X3P
 D: 1X5P J: 2X4P
 E: 1X6P K: 2X6P
 F: 1X8P L: 2X8P
- ⑦ LED STYLE:
 A: W/O LED
 B: LEFT YELLOW/RIGHT GREEN
 C: LEFT GREEN/RIGHT YELLOW
 D: LEFT RED/RIGHT GREEN
 E: LEFT GREEN/RIGHT RED
 F: LEFT YELLOW/RIGHT YELLOW
 G: LEFT GREEN/RIGHT GREEN

Unless Otherwise specified tolerance
 X. ±0.35 X.XX: ±0.20
 X.X: ±0.25 X.XXX: ±0.15

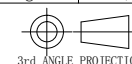
Antenk® ANTENK ELECTRONICS CO., LTD
 Http://www.antenk.com
 E-mail:sales@antenk.com

SCALE: As Shown UNIT: mm
 DRAW Wu Feng Rong DATE 22/03/2018
 CHECK BobYang DATE 22/03/2018

TITLE: RJ45 JACK side entry, 1X1Port shielded without EMI&LED

DRAWING NO: ATRJ5621-8P8C-X-D-A-A

PRODUCT NO: ATRJ5621-8P8C-X-D-A-A



| REV | DESCRIPTION | DATE |
|-----|-------------|------|
| 1 | | |
| 2 | | |
| 3 | | |
| 4 | | |
| 5 | | |