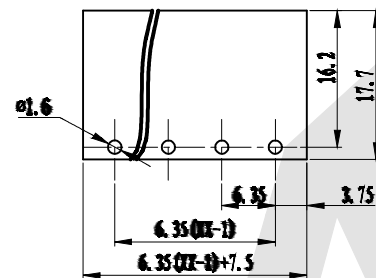


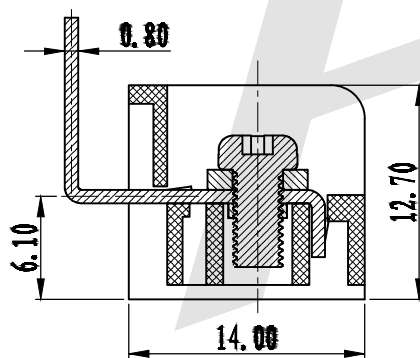
HSF



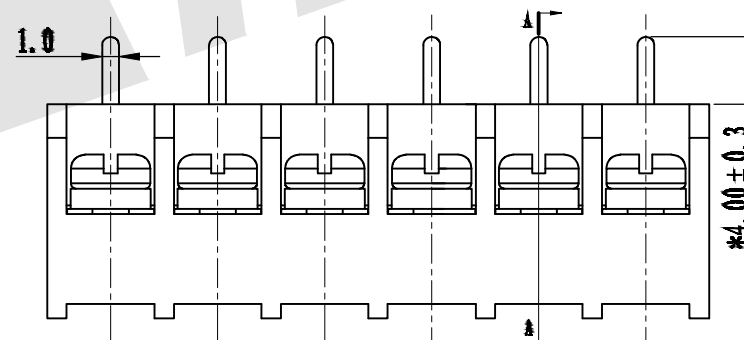
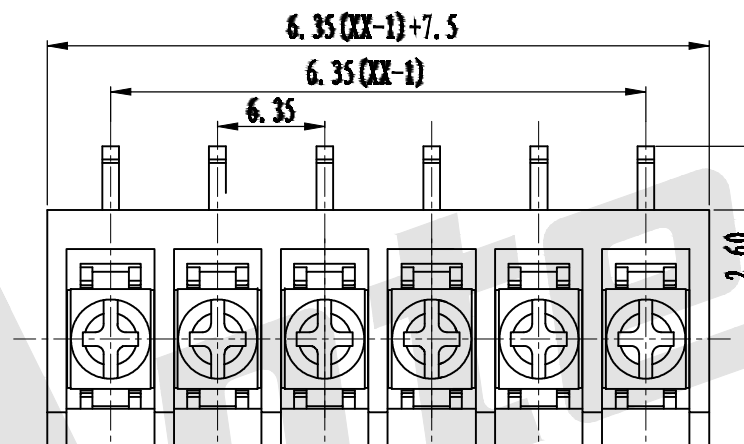
ROHS



P.C.B. LAYOUT



SECTION A-A



SPECIFICATION

Standard(参考标准): UL IEC  
 Voltage Rating (额定电压): 300V 450V  
 Current Rating(额定电流): 10A 13.5A  
 Wire range(使用线径): 22-16AWG 1.0mm<sup>2</sup>  
 Withstanding voltage(耐电压): AC2000V/1Min  
 Insulation resistance(绝缘电阻): 500MΩ/DC500V  
 Temp Rang(温度范围): -40° C ~ +105° C  
 Max Torque(最大锁紧力矩): 0.5Nm(4.5lb. in)  
 Housing(塑件): PA66, UL94V-0  
 Screw(螺丝): Steel, M3.0 Ni-Plated  
 Terminal(端子): Brass.0.8t, Tin Plated  
 Pitch(间距): 6.35mm  
 Poles(极数): 2P-30P

Ordering Code:

AT816 - 6.35 - XX - X - R

Pitch: 6.35:6.35mm  
 Series No.

Poles:  
 02: 2 Contacts  
 03: 3 Contacts  
 ... ..  
 22: 22 Contacts

Insulator color:  
 A:Green B:Blue  
 C:Black G:Gray  
 O:Orange T:Transparent  
 R:Red Y:Yellow  
 W:White

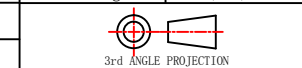
R:Series number.

Unless Otherwise specified tolerance  
 X. ±0.35 X.XX: ±0.20  
 X.X: ±0.25 X.XXX: ±0.15

**Antenk**® ANTENK ELECTRONICS CO., LTD  
 Http://www.antenk.com  
 E-mail:sales@antenk.com

SCALE: As Shown UNIT: mm  
 DRAW Wu Sai DATE 22/03/2018  
 CHECK BobYang DATE 22/03/2018

TITLE: Barrier Terminal Block Pitch:6.35mm



DRAWING NO: AT816-6.35XXX-R  
 PRODUCT NO: AT816-6.35XXX-R

REV	DESCRIPTION	DATE
1		
2		
3		
4		
5		