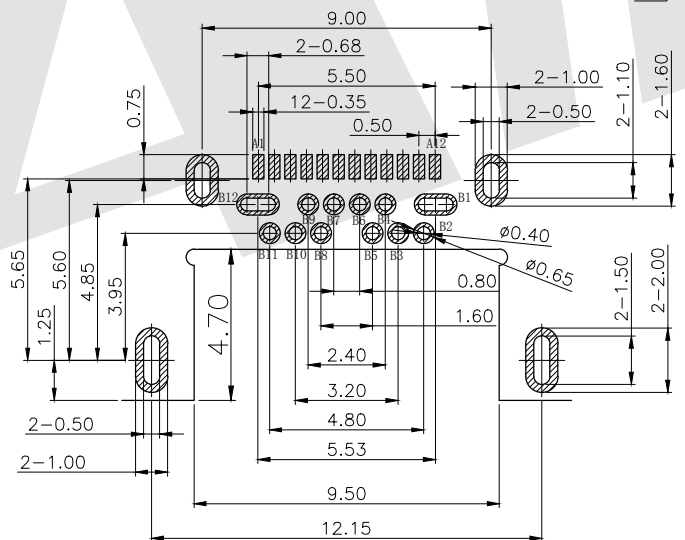
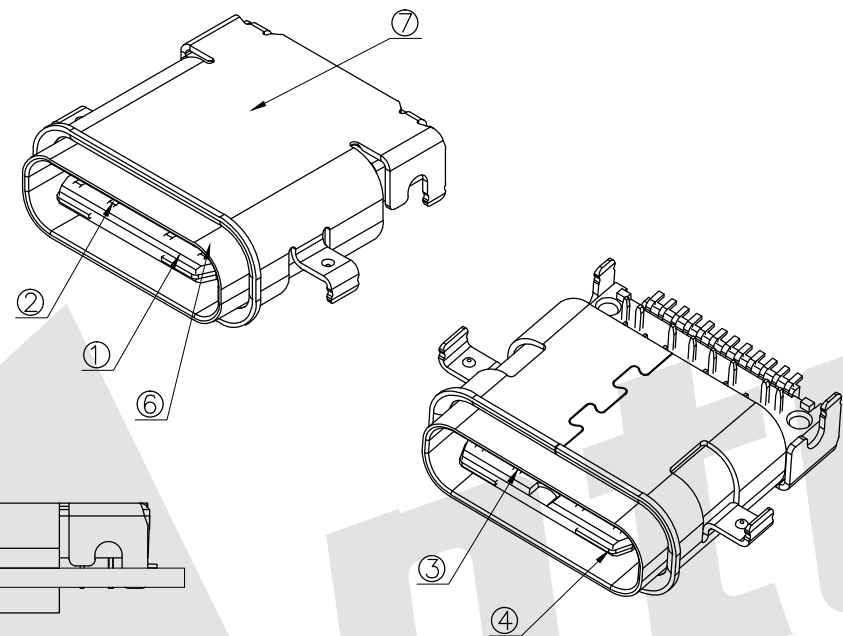


HSF



1.40 (BOTTOM SHELL OF SHELL)
0.30 ((CENTER HEIGHT))



RECOMMENDED P.C.B LAYOUT (Both sides are sample)
Tolerance: ±0.05, Thickness=0.60mm

- NOTE:
- MATERIAL:
MOLDING: LCP UL94V-0
PLATED GOLD ON CONTACT AREA.
G/F GOLD ON SOLDER AREA.
50u" NICKEL PLATING OVER ALL.
SHELL: SUS304-H, T=0.30±0.03MM
50u" NICKEL PLATING OVER ALL.
LATCH: SUS301-H, T=0.15±0.03MM
 - MECHANICAL:
INSERTION: 5-20N
EXTRACTION: 8-20N
DURABILITY: 10000 CYCLES
ELECTRICAL CHARACTERISTICS:
 - ELECTRICAL:
CURRENT: 5A MIN FOR VBUS;
0.25A MIN FOR OTHER.
VOLTAGE: 5VAC MAX
WITHSTANDING VOLTAGE: 100V AC.
CONTACT RESISTANCE: 40MΩ MIN
 - ENVIRONMENTAL
TEMPERATURE RANGE -25° C ~ +85° C

WU3.1FM02 - X - L - X - X - X
① ② ③ ④ ⑤ ⑥

- ① Series No:
- ② Shell Material:
B: Brass
S: Stainless steel
- ③ Insulator Material:
L: LCP
- ④ Contact Material:
P: Phosphor Copper
- ⑤ Contact Plating:
G0: Gold flash
G1: 3u" Gold
G2: 5u" Gold
G3: 10u" Gold
G4: 15u" Gold
G5: 30u" Gold
- ⑥ Packing:
A: Tray
B: Bag
C: Tube
D: Tape & Reel

Unless Otherwise specified tolerance
X. ±0.35 X.XX: ±0.20
X.X: ±0.25 X.XXX: ±0.15

Antenk® ANTENK ELECTRONICS CO., LTD
Http://www.antenk.com
E-mail: sales@antenk.com

SCALE: As Shown UNIT: mm
DRAW Lv Xun Hua DATE 08/07/2019
CHECK BobYang DATE 08/07/2019

TITLE: IP67 RATE USB TYPE DOUBLE-CASE DIP+SMT BASE WITH SINK PLATE WATERPROOF



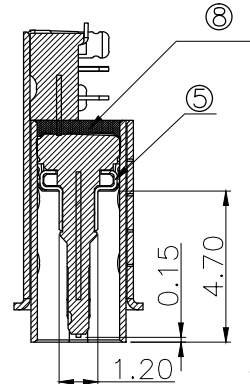
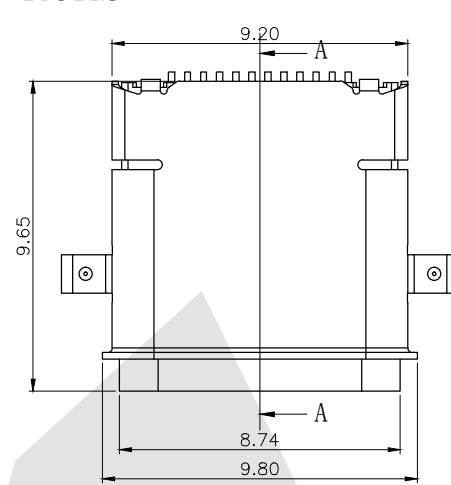
DRAWING NO:
PRODUCT NO: WU3.1FM02-XLXX

REV	DESCRIPTION	DATE
1		
2		
3		
4		
5		

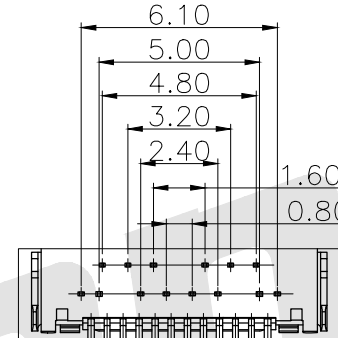
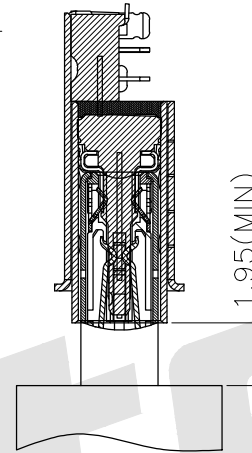
HSF



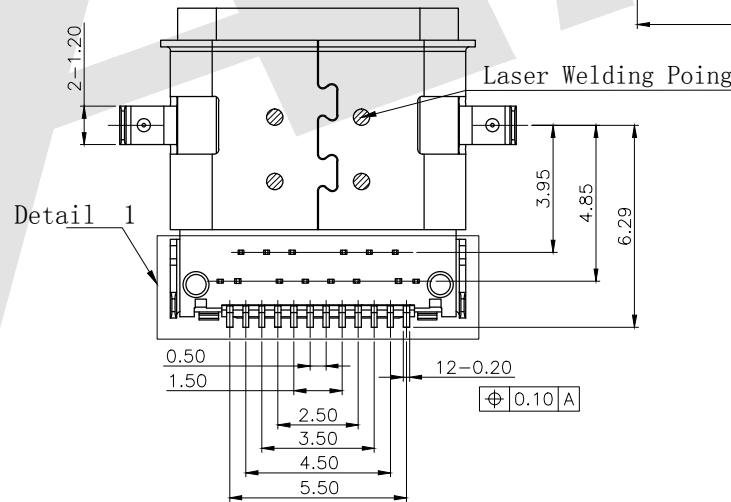
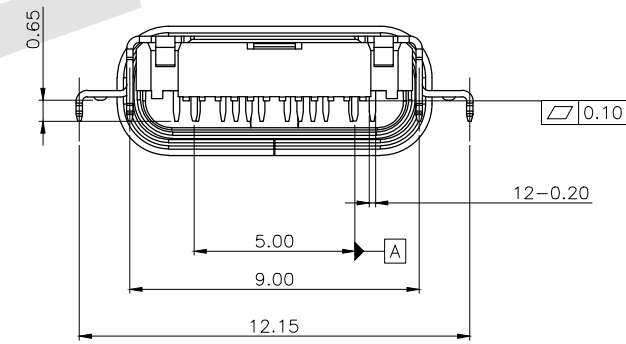
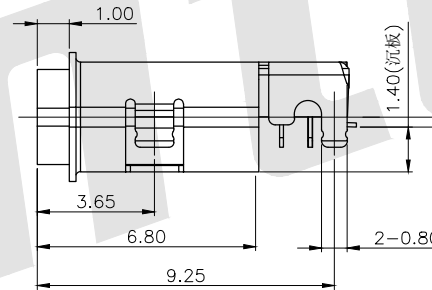
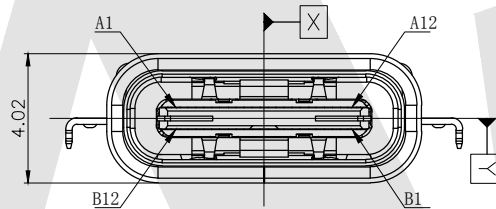
ROHS



SECTION A-A



Detail 1

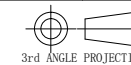


Unless Otherwise specified tolerance
 X. ±0.35 X.XX: ±0.20
 X.X: ±0.25 X.XXX: ±0.15

Antenk® ANTENK ELECTRONICS CO., LTD
[Http://www.antenk.com](http://www.antenk.com)
 E-mail:sales@antenk.com

SCALE: As Shown	UNIT: mm
DRAW Wu Feng Rong	DATE 19/08/2019
CHECK BobYang	DATE 19/08/2019

TITLE:
IP67 RATE USB TYPE DOUBLE-CASE DIP+SMT BASE
WITH SINK PLATE WATERPROOF



DRAWING NO: WU3.1FM02-XLXX
 PRODUCT NO: WU3.1FM02-XLXX

REV	DESCRIPTION	DATE

1 2 3 4 5 6 7 8

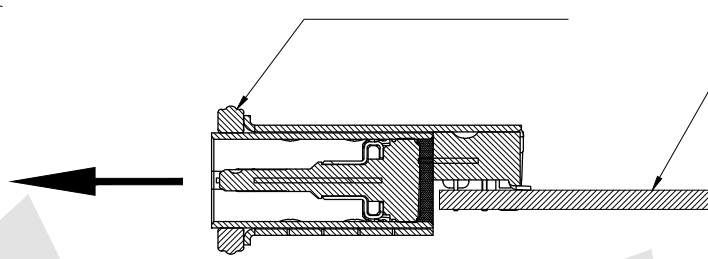


Suggested sealing method

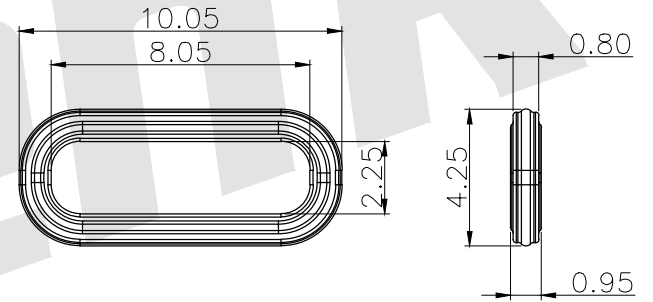
Housing panel

Sealing Ring

PCB board



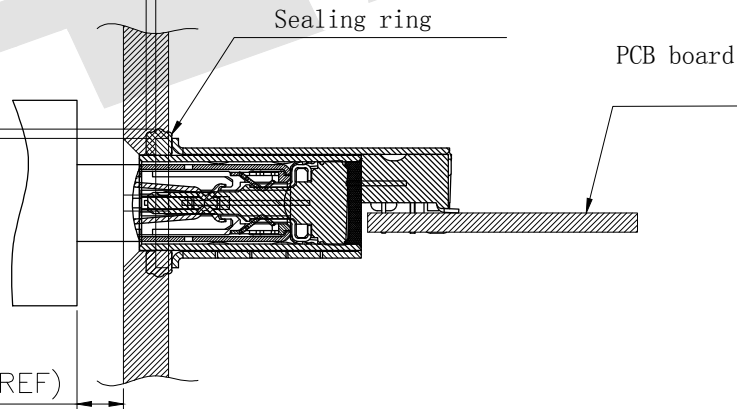
Front and rear assembly mode



Suggested specification of waterproof ring (material silicone rubber)

Sealing Ring and Shrinkage of Casing Panel Are 0.30Min. (The Recommended Compression is 40-50% of The Seal Ring Diameter)

Sealing ring and shrinkage of casing panel are 0.30Min. (The recommended compression is 40-50% of the seal ring diameter)



Unless Otherwise specified tolerance
X. ±0.35 X.XX: ±0.20
X.X: ±0.25 X.XXX: ±0.15

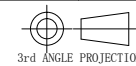
Antenk® ANTENK ELECTRONICS CO.,LTD
Http://www.antenk.com
E-mail:sales@antenk.com

SCALE: As Shown UNIT: mm
DRAW Wu Feng Rong DATE 19/08/2019
CHECK BobYang DATE 19/08/2019

TITLE: IP67 RATE USB TYPE DOUBLE-CASE DIP+SMT BASE WITH SINK PLATE WATERPROOF

DRAWING NO: WU3.1FM02-XLXX

PRODUCT NO: WU3.1FM02-XLXX

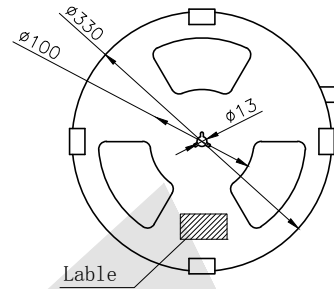
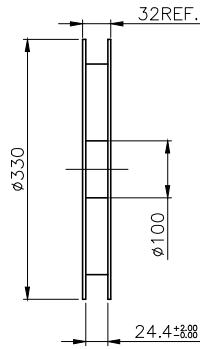


REV DESCRIPTION DATE

1 2 3 4 5 6 7 8

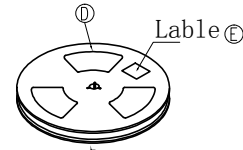


COVER TAPE PEELING ANGLE: 165~180°
PEELING FORCE: 20~130g



Tape Pulling Direction
Pull Out Direction

COVER TAPE



1 Reel/Vacuum Bag

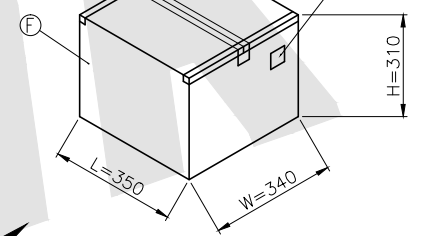
Desiccant

1 Bag/Vacuum Bag

10 Reel/ (Carton Box
Place Direction

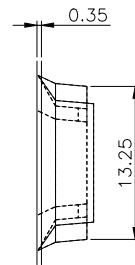
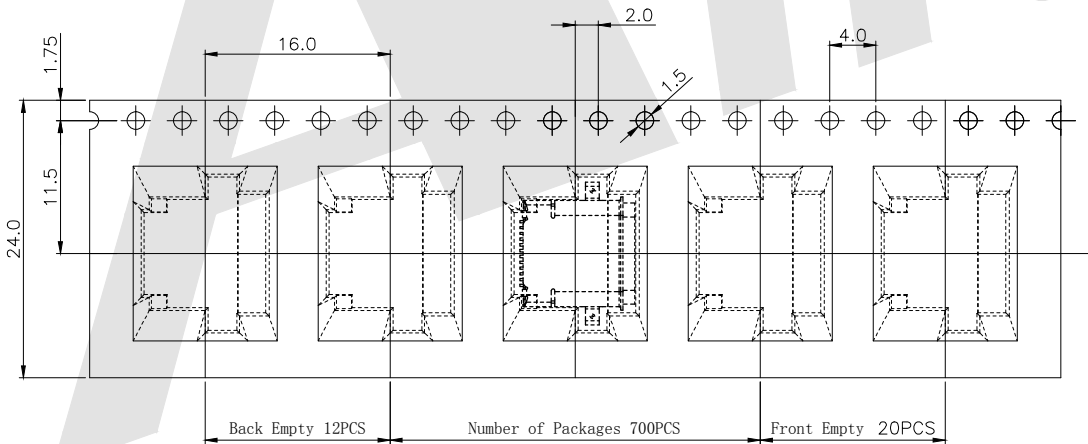
Scotch Tape

Side Lable



Waterproof Rubber Ring Packaging
(Both Packaged Separately)

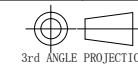
5000	6	30000
PCS/ BAG	BAG/ CASE	PCS/ CASE



J	PE Bag	1	630L*620W
I	Triangular Pillar	4	
H	Desiccant	10	
G	Vacuum Bag	10	500L*450W
F	Carton	1	350L*340W*310H
E	Label	10	
D	REEL	10	
C	Cover Tape	10	21.3m/m (1R/300M)
B	Carrier Tape	10	12511(L)*24(W)*0.4(T)
A	Phone Jack	7000	U501T24J4FZL2

Unless Otherwise specified tolerance
X. ±0.35 X.XX: ±0.20
X.X: ±0.25 X.XXX: ±0.15

SCALE: As Shown UNIT: mm
DRAW Wu Feng Rong DATE 19/08/2019
CHECK BobYang DATE 19/08/2019



Antenk® ANTENK ELECTRONICS CO., LTD
Http://www.antenk.com
E-mail:sales@antenk.com

TITLE: IP67 RATE USB TYPE DOUBLE-CASE DIP+SMT
BASE WITH SINK PLATE WATERPROOF

DRAWING NO: WU3.1FM02-XLXX

PRODUCT NO: WU3.1FM02-XLXX

REV DESCRIPTION DATE

1 2 3 4 5 6 7 8