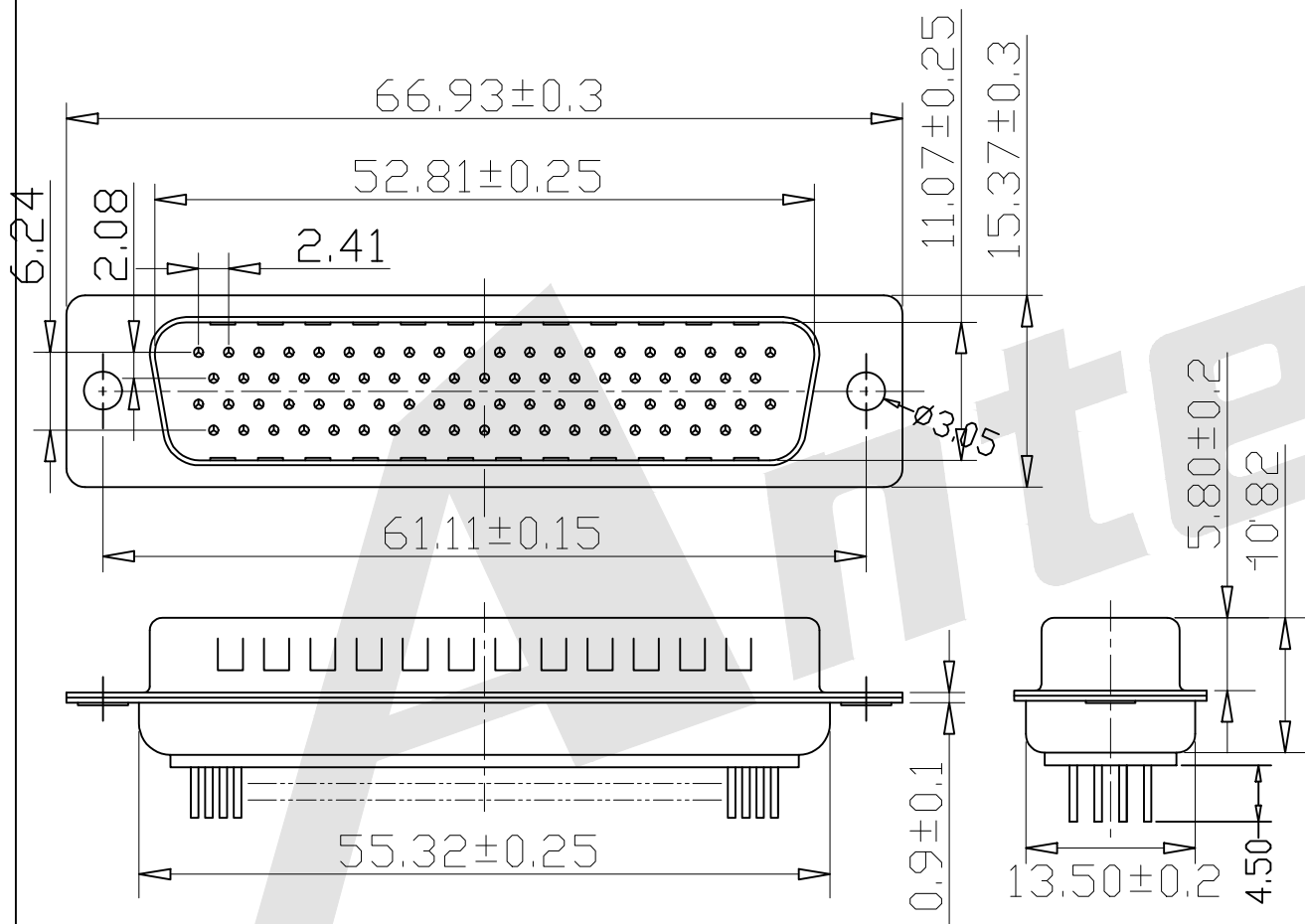


HSF



Material:

Housing: Temperature Thermoplastics, PBT+G. F UL 94V-0

Contact: Brass or Bronze

Shell: 0.35T Steel Nickel Plating All Area

Electical Characteristics:

Current Rating: 5A

Contact Resistance: 20 milliohms Max

Withstanding Voltage: 500V AC For 1 Minute

Insulation Resistance: 1000 Megohms Min

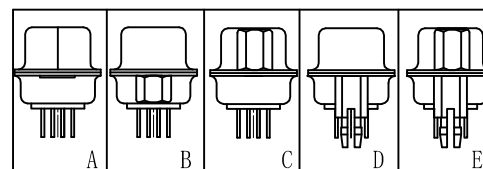
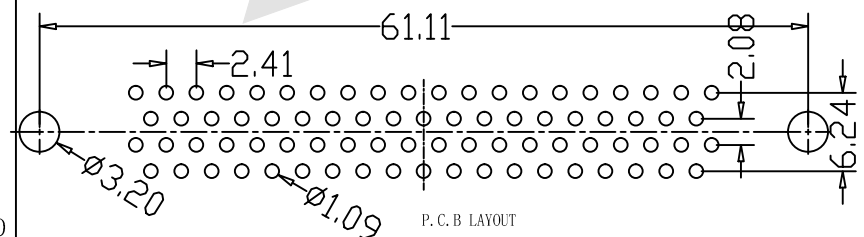
Operating Temperature: $-55^{\circ}C$ to $+105^{\circ}C$

Ordering Code:

HDP02 - M - 78 - A - 0 - B - S

① ② ③ ④ ⑤ ⑥ ⑦

- ① Four Row Straight DIP (Pitch=2.41mm)
- ② Contact Type:
M: Male
- ③ Contact NO.:
78=78pin
- ④ Mounting Option:
A: No accessories
B: Rear Rivet
C: Front Rivet
D: Groundstand-off on real shell
E: Front rivet+Groundstand-off on real shell
- ⑤ Accessories:
O: Non Accessories
A: Zinc alloy 4.8mm Nickel
A1: Zinc alloy 5.8mm Nickel
B: Iron 4.8mm Nickel
B1: Iron 5.8mm Nickel
C: Copper alloy 4.8mm Nickel
C1: Copper alloy 5.8mm Nickel
D: Copper screw 4.8mm Nickel
D1: Copper screw 5.8mm Nickel
- ⑥ Color Code:
W: White L: Blue
B: Black G: Grey
- ⑦ Contact Plating
S: Selective Gold
S1: Selective 3u" Gold
S2: Selective 5u" Gold
S3: Selective 10u" Gold
S4: Selective 15u" Gold
S5: Selective 30u" Gold
G0: Gold flash
G1: 3u" Gold over
G2: 5u" Gold over
G3: 10u" Gold over
G4: 15u" Gold over
G5: 30u" Gold over



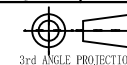
Unless Otherwise specified tolerance

X. ± 0.35 X.XX: ± 0.20
 X.X: ± 0.25 X.XXX: ± 0.15

SCALE: As Shown UNIT: mm

DRAW Lv Xun Hua DATE 20/03/2019

CHECK BobYang DATE 20/03/2019



Antenk ANTENK ELECTRONICS CO., LTD
[Http://www.antenk.com](http://www.antenk.com)
 E-mail: sales@antenk.com

TITLE: D-SUB PCB Male Four Row 78
 Pin (Pitch=2.41mm) Straight (stamped Pin)

DRAWING NO: HDP02-M78XXXX

PRODUCT NO: HDP02-M78XXXX

REV	DESCRIPTION	DATE