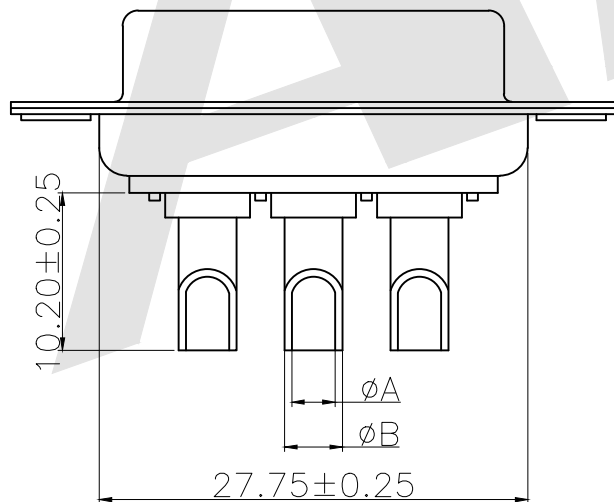
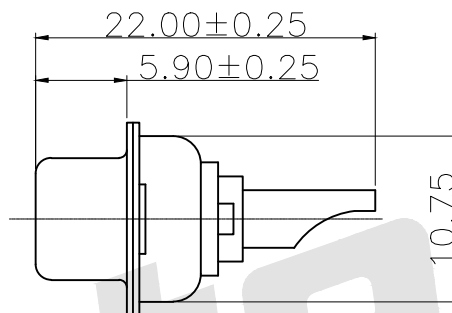
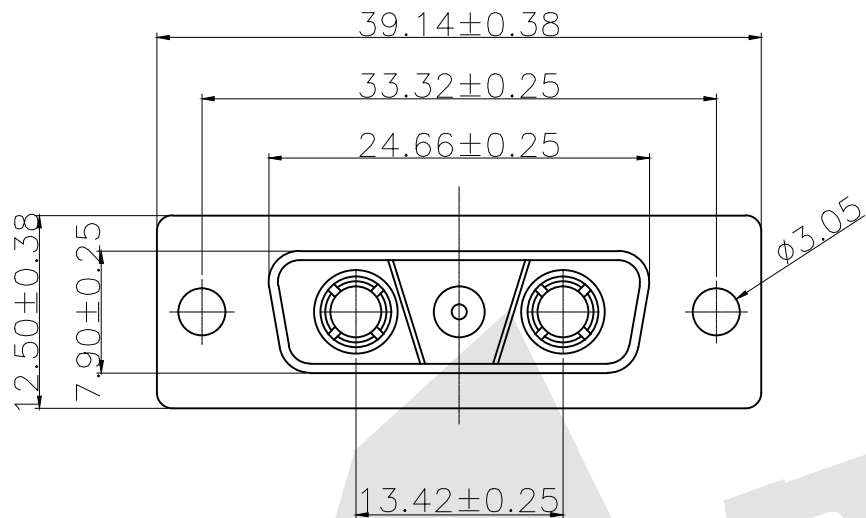


HSF



40 AMPS	4.6	5.5
30 AMPS	3.4	4.4
20 AMPS	2.6	3.6
10 AMPS	1.75	2.54
Current Rating	A	B

**SPECIFICATIONS:**

**ELECTRICAL:**

INSULATOR RESISTANCE: 5,000 MegOHMS Min.  
 DIELECTRIC WITHSTANDING: 1,000 VAC r. m. s.  
 OPERATING TEMPERATURE: -55°C ~ +125°C  
 CONTACT RESISTANCE: 30 MILLIOHMS Max.  
 POWER PINS: SEE PART No. BELOW

**MECHANICAL:**

CONTACT INSERTION FORCE: 4.5kg Max  
 CONTACT SEPARATOR FORCE: 0.3kg Min

**MATERIALS:**

CONTACTS: BRASS  
 INSULATOR: PBT UL94V-0 RATED,  
 230°C PROCESS TEMP.

**SHELL:**

STEEL

**FINISH:**

**SHELL:**

NICKEL

**Ordering Code:**

PDB3V3	-F	-G0	-B	-20
①	②	③	④	⑤

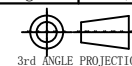
- ① Series
- ② Contact Type:  
M:Male F:Female
- ③ Contact NO. :  
G0: Gold flash  
G1: 3u" Gold  
G2: 5u" Gold  
G3: 10u" Gold  
G4: 15u" Gold  
G5: 30u" Gold
- ④ Insulation Color Code:  
B:Black L:Blue  
W:White
- ⑤ Power AMP:  
10 = 10AMPS;  
20 = 20AMPS;  
30 = 30AMPS;  
40 = 40AMPS;

Unless Otherwise specified tolerance  
 X. ±0.35 X.XX: ±0.20  
 X.X: ±0.25 X.XXX: ±0.15

**Antenk**® ANTENK ELECTRONICS CO., LTD  
 Http://www.antenk.com  
 E-mail:sales@antenk.com

SCALE: As Shown	UNIT: mm
DRAW Lv Xun Hua	DATE 05/05/2019
CHECK BobYang	DATE 05/05/2019

TITLE:  
POWER D-SUB 3V3 SOLDER CUP-FEMALE



DRAWING NO: PDB3V3-FXXX  
 PRODUCT NO: PDB3V3-FXXX

REV	DESCRIPTION	DATE
1		
2		
3		
4		
5		