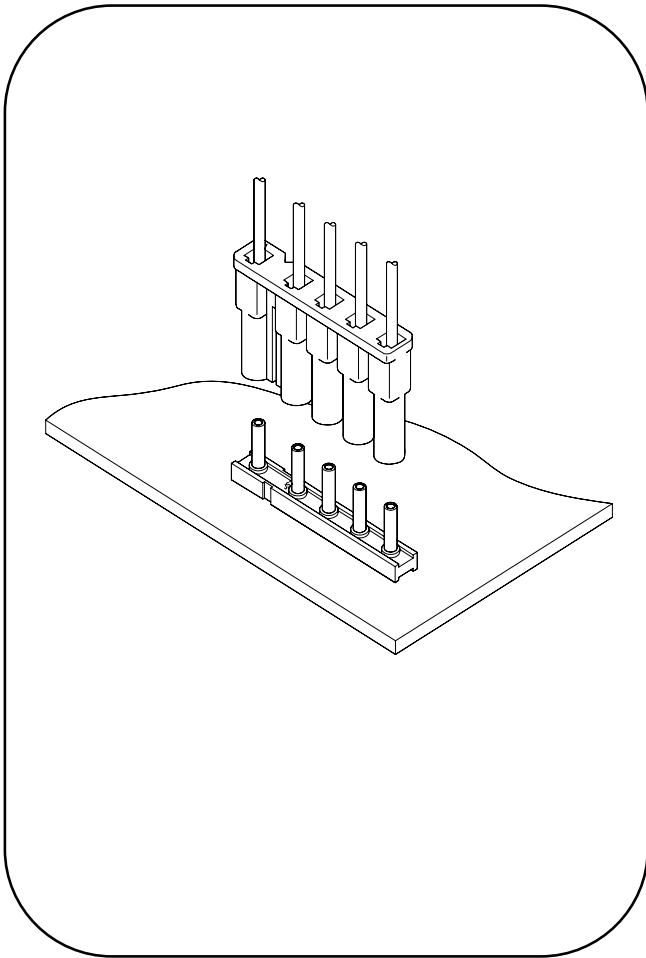


SPECIFICATIONS:

Voltage rating: 250V AC/DC
 Current rating: 7A AC/DC
 Withstanding Voltage: 1500V AC/minute
 Insulation resistance: 1000MΩ Min.
 Temperature range: -25°C To +85°C
 Contact resistance: 20mΩ Max.



Standards

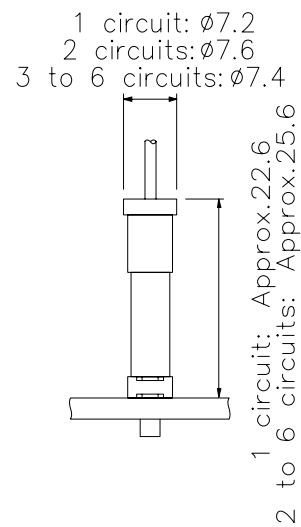
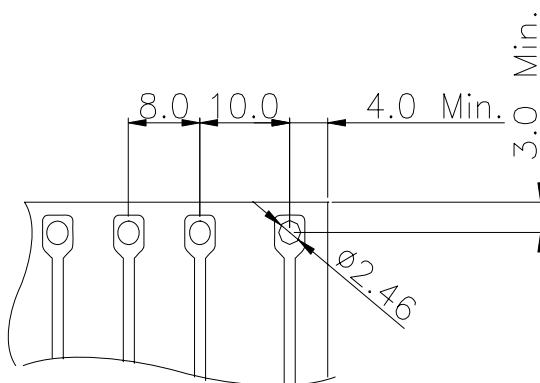
HSF



RoHS

Wire to Board

Assembly Layout

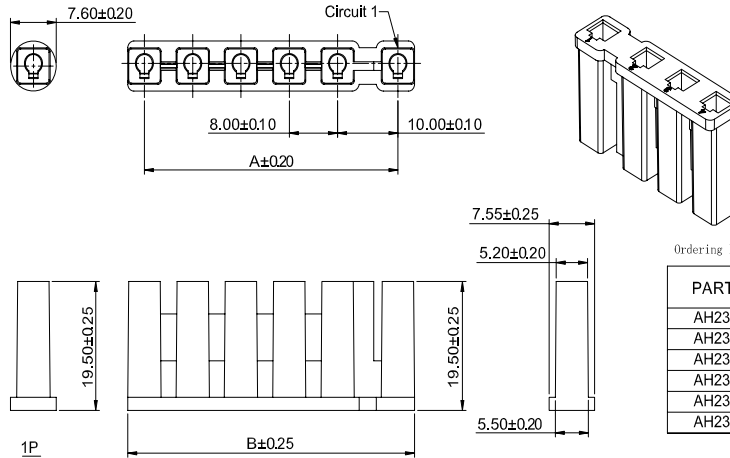


Connectors Expert Around You

10.00mm-8.00mm Pitch housing connector

HOUSING

- Part NO.: AH2361-xP
- Suitable: AT2361T series Terminal
- Mates with: AW2361 series Wafer
- Material: Nylon 66, UL94V-0
- Color: Gray



Ordering Information & Dimensions:

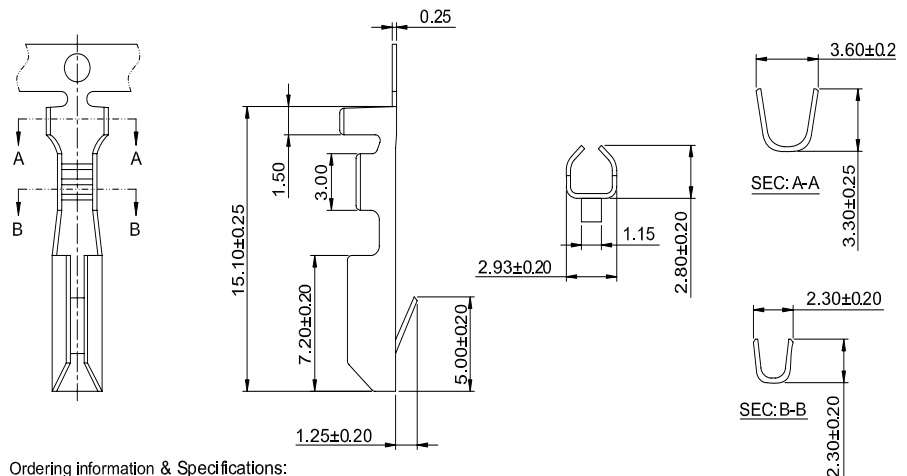
PART NO.	Dimensions	
	A	B
AH2361-1P	---	7.60
AH2361-2P	10.00	15.60
AH2361-3P	18.00	23.60
AH2361-4P	26.00	31.60
AH2361-5P	34.00	39.60
AH2361-6P	42.00	47.60

Wire to Board

10.00mm-8.00mm Pitch crimp terminal connector

TERMINAL

- Part NO.: AT2361T-xP
- Applicable wire: AWG#18-#22
- Material: Phosphor Bronze
- Finish: Tin Plated or Gold
- Used in AH2361 series Housing



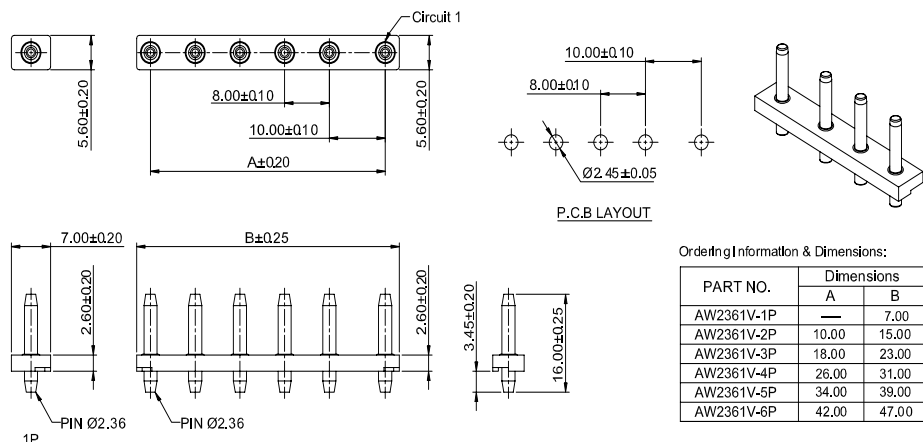
Ordering information & Specifications:

Part NO.	Wire Range	Insulation O.D.	Material	Finish	Qty/reel
AT2361T-B	AWG #18-#22	2.90mm(max)	Brass	Tin over Nickel	6,000 PCS
AT2361T-P	AWG #18-#22	2.90mm(max)	Phosphor Bronze	Tin over Nickel	6,000 PCS
AT2361T-GB	AWG #18-#22	2.90mm(max)	Brass	Gold over Nickel	6,000 PCS
AT2361T-GP	AWG #18-#22	2.90mm(max)	Phosphor Bronze	Gold over Nickel	6,000 PCS

10.00mm-8.00mm Pitch 180° wafer connector

WAFER

- Part NO.: AW2361V-xP
- Material: Pin: Brass/Tin over Nickel
- Insulator: Nylon 66, UL94V-0
- Mates with: AH2361 series Housing
- Color: Ivory



Ordering Information & Dimensions:

PART NO.	Dimensions	
	A	B
AW2361V-1P	---	7.00
AW2361V-2P	10.00	15.00
AW2361V-3P	18.00	23.00
AW2361V-4P	26.00	31.00
AW2361V-5P	34.00	39.00
AW2361V-6P	42.00	47.00