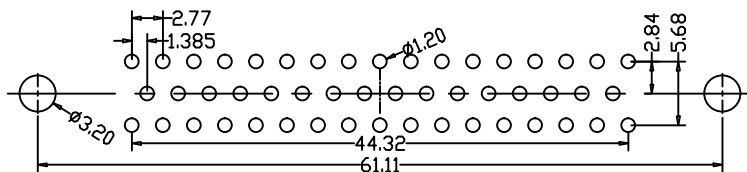
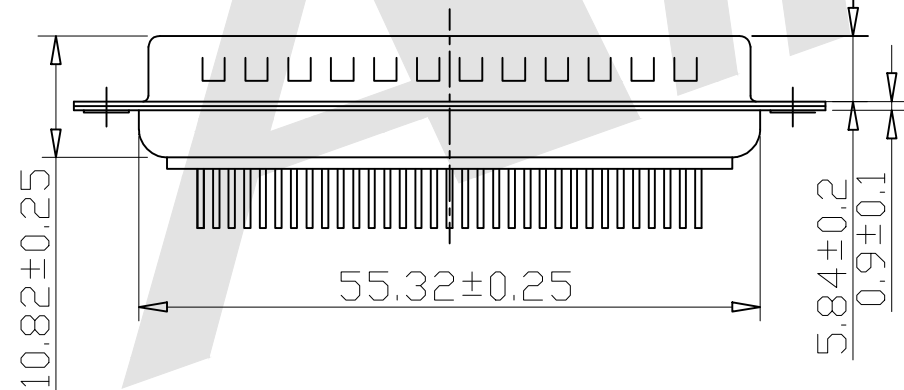
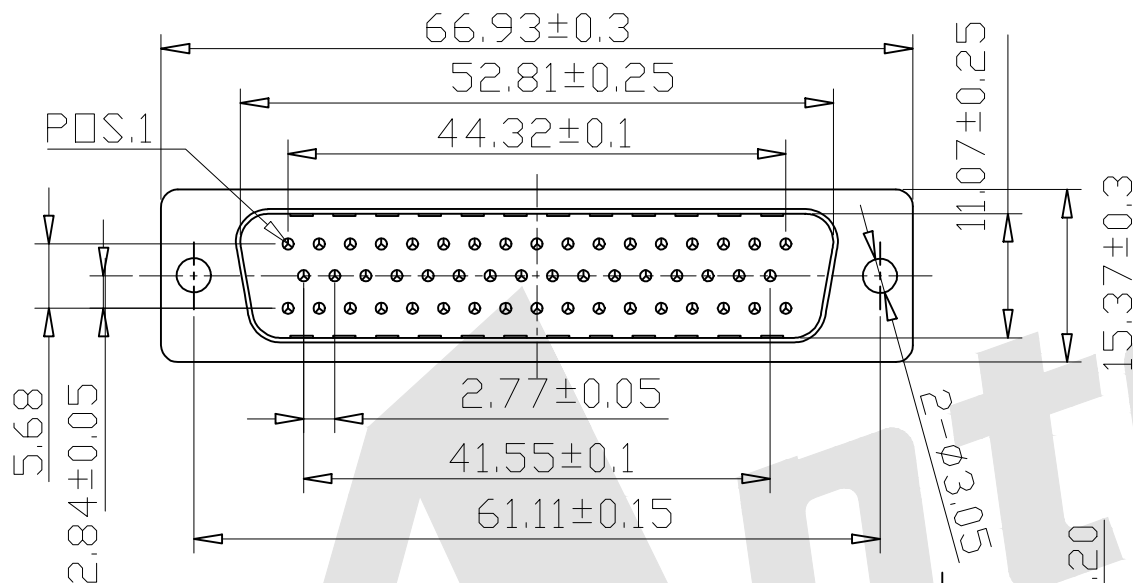
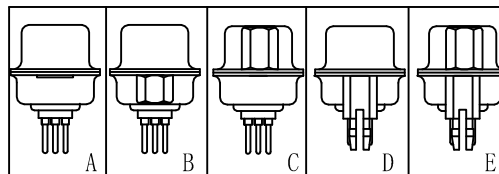


HSF



P. C. B LAYOUT



Material:  
 Housing: Temperature Thermoplastics, PBT+G. F UL 94V-0  
 Contact: Brass or Bronze  
 Shell: 0.35T Steel Nickel Plating All Area  
 Electrical Characteristics:  
 Current Rating: 5A  
 Contact Resistance: 20 milliohms Max  
 Withstanding Voltage: 500V AC For 1 Minute  
 Insulation Resistance: 1000 Megohms Min  
 Operating Temperature: -55° C to +105° C  
 Ordering Code:

DPO2 - M - 50 - A - 0 - B - S  
 ① ② ③ ④ ⑤ ⑥ ⑦

- ① Three Row Straight DIP (Pitch: 2.77mm)
- ② Contact Type:  
M: Male
- ③ Contact NO.:  
50=50pin
- ④ Mounting Option:  
A: No accessories  
B: Rear Rivet  
C: Front Rivet  
D: Groundstand-off on real shell  
E: Front rivet+Groundstand-off on real shell
- ⑤ Accessories:  
O: Non Accessories  
A: Zinc alloy 4.8mm Nickel  
A1: Zinc alloy 5.8mm Nickel  
B: Iron 4.8mm Nickel  
B1: Iron 5.8mm Nickel  
C: Copper alloy 4.8mm Nickel  
C1: Copper alloy 5.8mm Nickel  
D: Copper screw 4.8mm Nickel  
D1: Copper screw 5.8mm Nickel
- ⑥ Color Code:  
W: White L: Blue  
B: Black G: Grey
- ⑦ Contact Plating  
S: Selective Gold  
S1: Selective 3u" Gold  
S2: Selective 5u" Gold  
S3: Selective 10u" Gold  
S4: Selective 15u" Gold  
S5: Selective 30u" Gold  
G0: Gold flash  
G1: 3u" Gold over  
G2: 5u" Gold over  
G3: 10u" Gold over  
G4: 15u" Gold over  
G5: 30u" Gold over

Unless Otherwise specified tolerance  
 X. ±0.35 X.XX: ±0.20  
 X.X: ±0.25 X.XXX: ±0.15

**Antenk** ANTEK ELECTRONICS CO., LTD  
[Http://www.antenk.com](http://www.antenk.com)  
 E-mail: sales@antenk.com

SCALE: As Shown UNIT: mm  
 DRAW Lv Xun Hua DATE 09/03/2019  
 CHECK BobYang DATE 09/03/2019

TITLE: D-SUB PCB Male Three Row 50 Pin (Pitch: 2.77mm) Straight (stamped Pin)



DRAWING NO: DPO2-M50A0BS  
 PRODUCT NO: DPO2-M50A0BS

REV	DESCRIPTION	DATE