

SPECIFICATIONS:

- Voltage rating: 125V AC/DC
- Current rating: 1A AC/DC
- Withstanding Voltage: 500V AC/minute
- Insulation resistance: 100MΩ Min.
- Temperature range: -40°C To +105°C
- Contact resistance: 20mΩ Max.

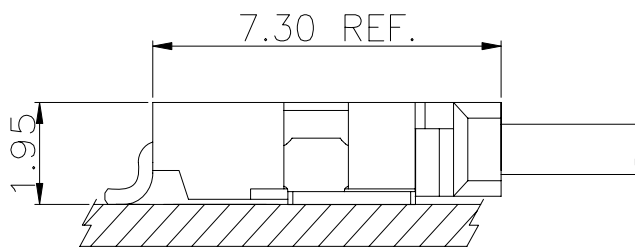
Standards



RoHS

Wire to Board

Assembly Layout

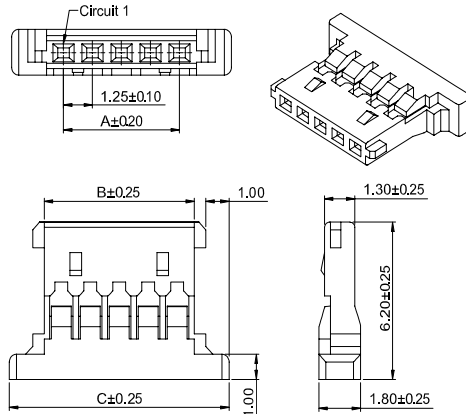


SMT TYPE

1.25mm Pitch housing connector

HOUSING

- Part NO.:AH1254-xP
- Suitable:AT1254T series Terminal
- Mates with:AW1254 series Wafer
- Material:Nylon 66,UL94V-0
- Color:White



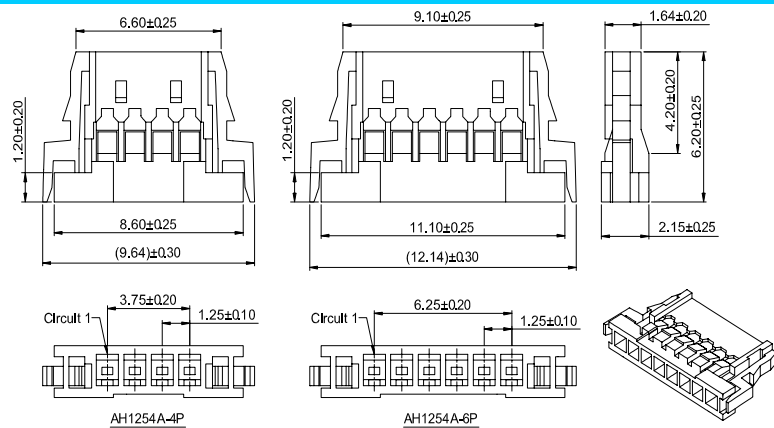
Ordering Information & Dimensions:

Poles	Part No.	Dimensions (mm)			Poles	Part No.	Dimensions (mm)		
		A	B	C			A	B	C
02	AH1254-02P	1.25	2.72	5.72	17	AH1254-17P	20.00	21.47	24.47
03	AH1254-03P	2.50	3.97	6.97	18	AH1254-18P	21.25	22.72	25.72
04	AH1254-04P	3.75	5.22	8.22	19	AH1254-19P	22.50	23.97	26.97
05	AH1254-05P	5.00	6.47	9.47	20	AH1254-20P	23.75	25.22	28.22
06	AH1254-06P	6.25	7.72	10.72	21	AH1254-21P	25.00	26.47	29.47
07	AH1254-07P	7.50	8.97	11.97	22	AH1254-22P	26.25	27.72	30.72
08	AH1254-08P	8.75	10.22	13.22	23	AH1254-23P	27.50	28.97	31.97
09	AH1254-09P	10.00	11.47	14.47	24	AH1254-24P	28.75	30.22	33.22
10	AH1254-10P	11.25	12.72	15.72	25	AH1254-25P	30.00	31.47	34.47
11	AH1254-11P	12.50	13.97	16.97	26	AH1254-26P	31.25	32.72	35.72
12	AH1254-12P	13.75	15.22	18.22	27	AH1254-27P	32.50	33.97	36.97
13	AH1254-13P	15.00	16.47	19.47	28	AH1254-28P	33.75	35.22	38.22
14	AH1254-14P	16.25	17.72	20.72	29	AH1254-29P	35.00	36.47	39.47
15	AH1254-15P	17.50	18.97	21.97	30	AH1254-30P	36.25	37.72	40.72
16	AH1254-16P	18.75	20.22	23.22					

1.25mm Pitch housing connector

HOUSING

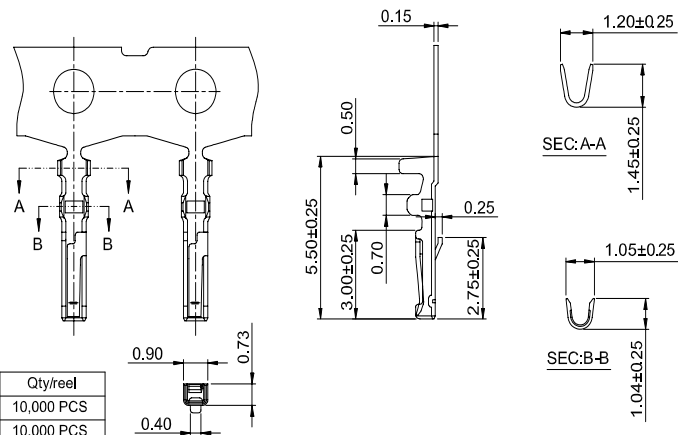
- Part NO.:AH1254A-xP
- Suitable:AT1254T series Terminal
- Material:Nylon 66,UL94V-0
- Color:White



1.25mm Pitch crimp terminal connector

TERMINAL

- Part NO:AT1254T-xP
- Applicable wire:AWG#28-#32
- Material:Phosphor Bronze
- Finish:Tin Plated or Gold
- Used in AH1254 series Housing



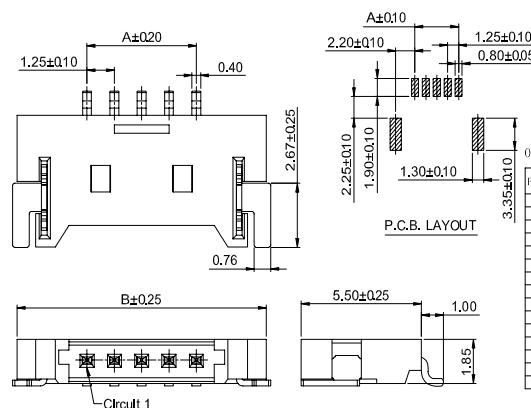
Ordering information & Specifications

Part NO.	Wire Range	Insulation O.D.	Material	Finish	Qty/reel
AT1254T-7P	AWG#28-#32	0.90mm(max)	Phosphor Bronze	Tin over Nickel	10,000 PCS
AT1254T-6P	AWG#28-#32	0.90mm(max)	Phosphor Bronze	Gold over Nickel	10,000 PCS

1.25mm Pitch 90° wafer-smt connector

WAFER

- Part NO:AW1254R-S-xP
- Material:Pin:Brass/Tin over Nickel on solder area
- Gold over Nickel on contact area
- Solder Tabs: Brass/Tin over Nickel
- Insulator:Nylon 6T, UL94V-0
- Mates with:AH1254 series Housing
- Color: Beige



Ordering Information & Dimensions:

Poles	Part No.	Dimensions		Poles	Part No.	Dimensions	
		A	B			A	B
02	AW1254R-S-02P	1.25	7.65	17	AW1254R-S-17P	20.00	26.40
03	AW1254R-S-03P	2.50	8.90	18	AW1254R-S-18P	21.25	27.65
04	AW1254R-S-04P	3.75	10.15	19	AW1254R-S-19P	22.50	28.90
05	AW1254R-S-05P	5.00	11.40	20	AW1254R-S-20P	23.75	30.15
06	AW1254R-S-06P	6.25	12.65	21	AW1254R-S-21P	25.00	31.40
07	AW1254R-S-07P	7.50	13.90	22	AW1254R-S-22P	26.25	32.65
08	AW1254R-S-08P	8.75	15.15	23	AW1254R-S-23P	27.50	33.90
09	AW1254R-S-09P	10.00	16.40	24	AW1254R-S-24P	28.75	35.15
10	AW1254R-S-10P	11.25	17.65	25	AW1254R-S-25P	30.00	36.40
11	AW1254R-S-11P	12.50	18.90	26	AW1254R-S-26P	31.25	37.65
12	AW1254R-S-12P	13.75	20.15	27	AW1254R-S-27P	32.50	38.90
13	AW1254R-S-13P	15.00	21.40	28	AW1254R-S-28P	33.75	40.15
14	AW1254R-S-14P	16.25	22.65	29	AW1254R-S-29P	35.00	41.40
15	AW1254R-S-15P	17.50	23.90	30	AW1254R-S-30P	36.25	42.65
16	AW1254R-S-16P	18.75	25.15				