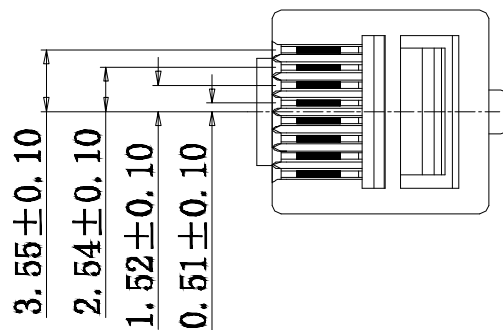


HSF

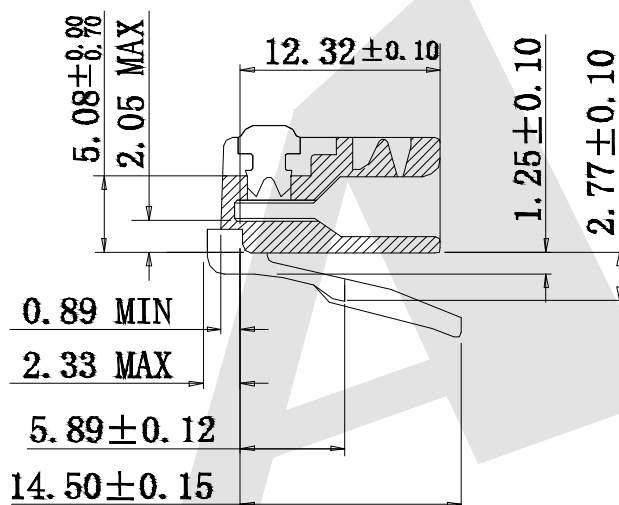


1. Electrical Test:

- A: 250V AC max at 2 Amps
- B: Dielectric with standing 500volts AC
- C: Insulation Resistance: 500 mega Ω
- D: Termination Resistance: 35 mega Ω

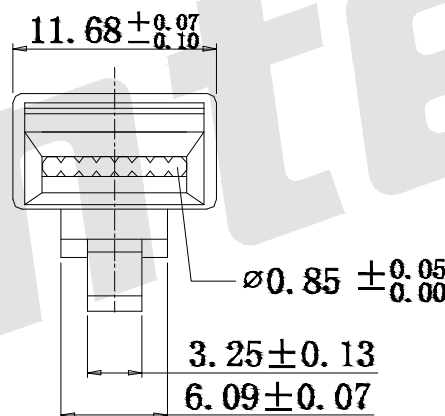
2. Mechanical:

- A: Cable to Plug tensile strength 20LBs (89N) min
- B: Durability: 1000 mating cycles



Ordering Code:

ATRP8P8C - X - A - X - 004
 ① ② ③ ④ ⑤



1. Series:

2. Housing Material:

- A: UL 94V-0
- B: UL 94V-2

3. Contact Type:

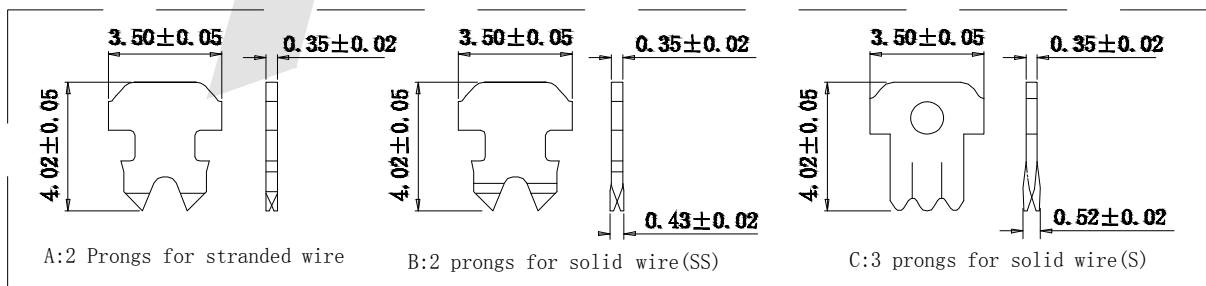
- A: 2 Prongs for stranded wire
- B: 2 prongs for solid wire(SS)
- C: 3 prongs for solid wire(S)

4. Gold plating :

- A: 1u" B: 3u"
- C: 6u" D: 15u"
- E: 30u" F: 50u"

5. Serial number:

(加长弹片 17.00 ± 0.15)



Unless Otherwise specified tolerance
 X. ±0.35 X.XX: ±0.20
 X.X: ±0.25 X.XXX: ±0.15

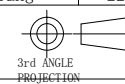
Antenk® ANTENK ELECTRONICS CO.,LTD
 Http://www.antenk.com
 E-mail:sales@antenk.com

SCALE: As Shown UNIT: mm
 DRAW: Wu Sai DATE: 22/03/2018
 CHECK: BobYang DATE: 22/03/2018

TITLE:
 PLUG 8P8C FOR FLAT CABLE, Short type

DRAWING NO: ATRP8P8C-XAX-004

PRODUCT NO: ATRP8P8C-XAX-004



REV	DESCRIPTION	DATE
1		
2		
3		
4		
5		