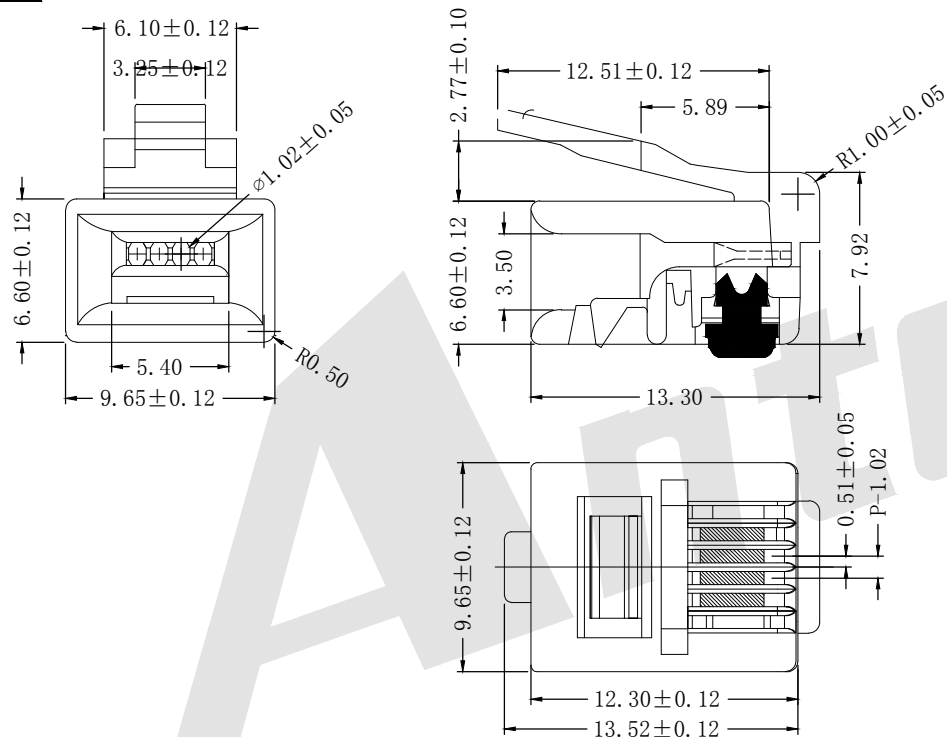


HSF

ROHS



FEATURES:

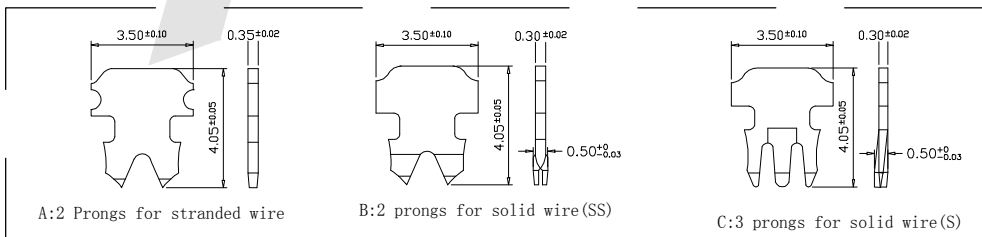
- 1 Electrical Test:
 - A. 250V AC max at 2 amps.
 - B. Dielectric with standing 500volts AC.
 - C. Insulation Resistance: 500 megaohms.
 - D. Termination Resistance: 35megaohms.
- 2 Mechanical:
 - A. Cable-to-Plug tensile strength-20LBs(89N)min.
 - B. Durability: 500 mating cycles.

Ordering Code:

ATR P 6P4C - X - A - X - 001

① ② ③ ④ ⑤

1. Series:
2. Housing Material:
 - A: UL 94V-0
 - B: UL 94V-2
3. Contact Type:
 - A: 2 Prongs for stranded wire
 - B: 2 prongs for solid wire(SS)
 - C: 3 prongs for solid wire(S)
4. Gold plating :
 - A: 1u"
 - B: 3u"
 - C: 6u"
 - D: 15u"
 - E: 30u"
 - F: 50u"
5. Serial number:

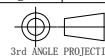


Unless Otherwise specified tolerance	
X. ±0.35	X.XX: ±0.20
X.X: ±0.25	X.XXX: ±0.15
SCALE: As Shown	UNIT: mm
DRAW: Wu Feng Rong	DATE: 16/09/2019
CHECK: BobYang	DATE: 16/09/2019

ANTENK ELECTRONICS CO., LTD
[Http://www.antenk.com](http://www.antenk.com)
 E-mail:sales@antenk.com

TITLE: Plug 6P4C Serial unshielded Type

DRAWING NO: ATRP6P4C-XAX-001
 PRODUCT NO: ATRP6P4C-XAX-001



REV	DESCRIPTION	DATE
1		
2		
3		
4		
5		