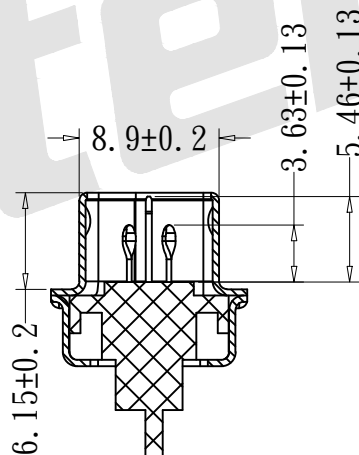
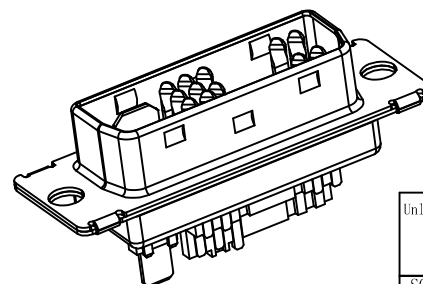
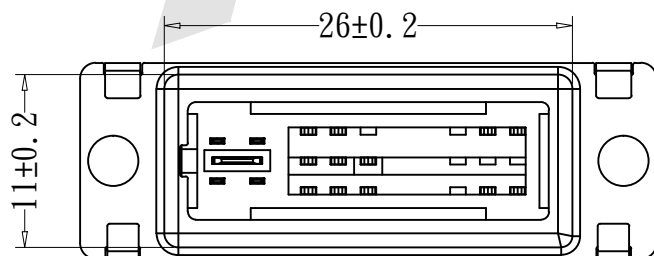
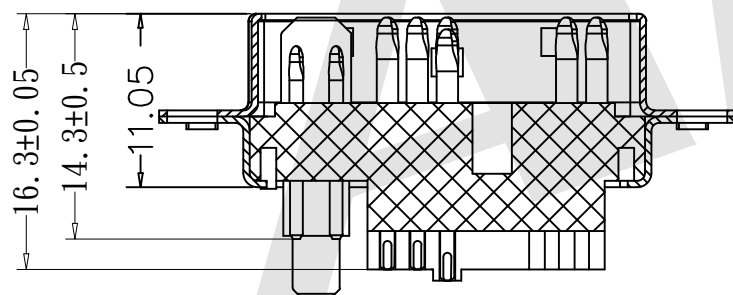
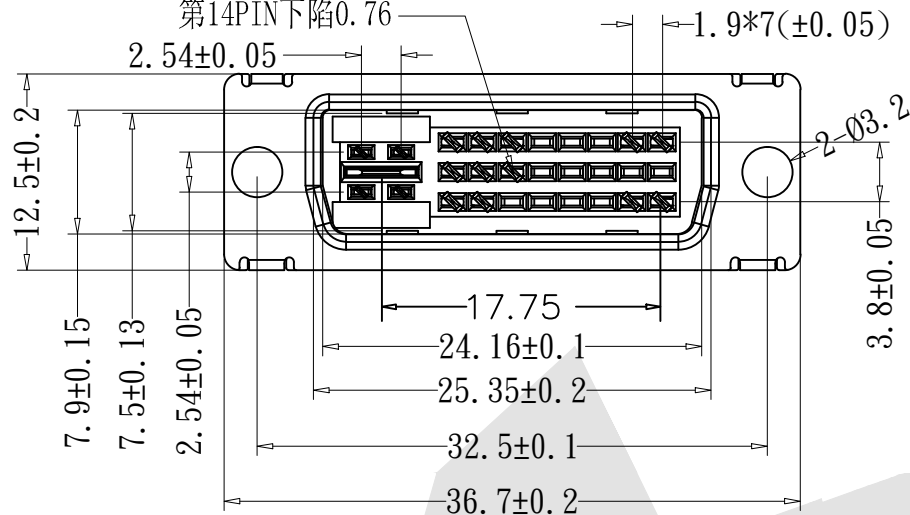


HSF



第14PIN下陷0.76



Specifications (特性):

Current Rating (额定电流): 1.5A
 Voltage Rating (额定电压): 40V
 Contact Resistance (接触阻抗): 30 milliohms MAX
 Dielectric Withstanding Voltage (耐电压): 500V AC AT Sea Level
 Insulation Resistance (绝缘阻抗): 1000 Megohms MIN
 Operating Temperature (工作温度): -20° C to +85° C
 Housing (塑胶): Temperature Thermoplastics, PBT+G.F UL 94V-0
 Contact (端子): Brass or Bronze
 Shell (壳): Spcd Nickel Plating All Area
 Contact Plating: Gold Plating Over Nickel

Ordering Code:

DVIMS 01 - X - 17 - X
 ① ② ③ ④ ⑤

- ① DVI Male Solder
- ② Serial Number
- ③ Color Code:
A: White
B: Black
- ④ No of contact:
17: 12+5 Positions
- ⑤ Contact Plating:
S0: Selective 1u"
S1: Selective 3u"
S2: Selective 5u"
S3: Selective 10u"
S4: Selective 15u"
S5: Selective 30u"

Unless Otherwise specified tolerance
 X. ±0.35 X.XX: ±0.20
 X.X: ±0.25 X.XXX: ±0.15

Antenk ANTEK ELECTRONICS CO., LTD
 Http://www.antenk.com
 E-mail: sales@antenk.com

SCALE: As Shown	UNIT: mm
DRAW Mo Guo Xuan	DATE 23/10/2018
CHECK BobYang	DATE 23/10/2018

TITLE:
DVI 12+5 Male Solder Type (一体式胶芯)

DRAWING NO: DVIMS01-X17X
 PRODUCT NO: DVIMS01-X17X



2	Chang order code of plating option	2018/10/23
REV	DESCRIPTION	DATE