



### SPECIFICATION

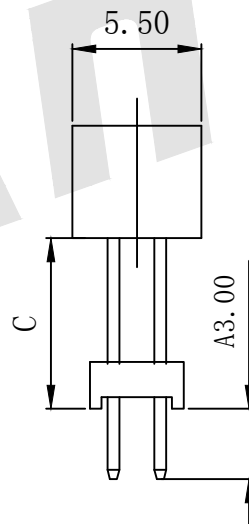
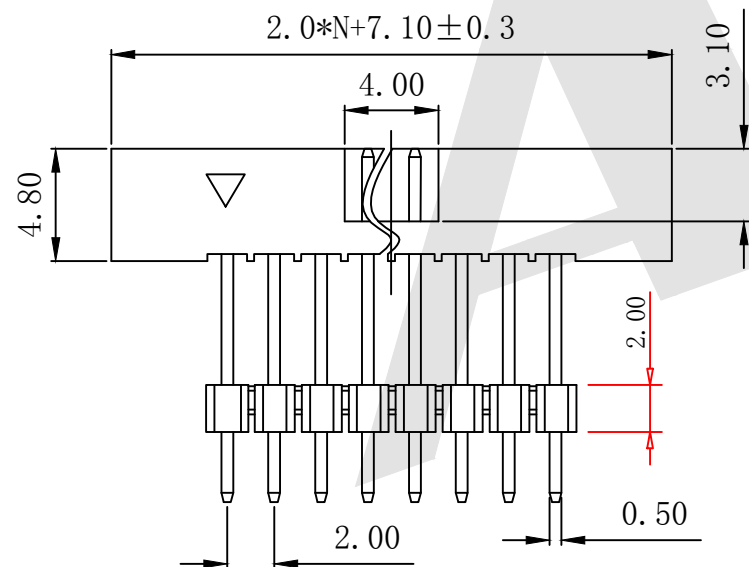
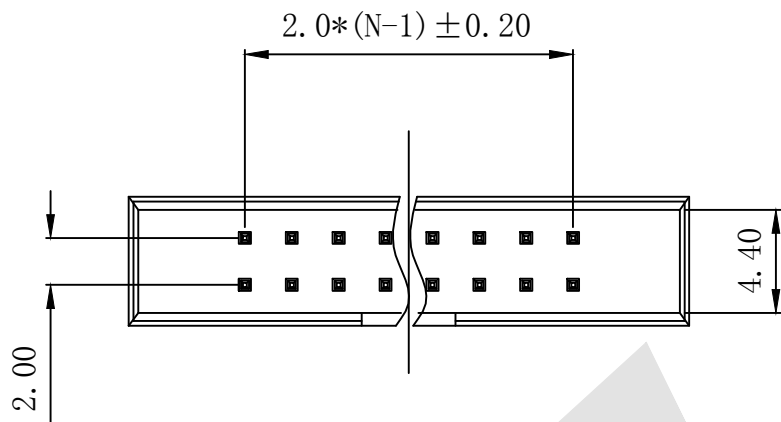
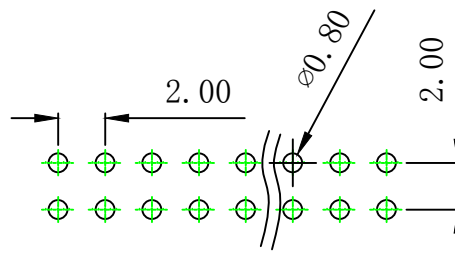
Current Rating: 2.0 Amp  
 Insulation Resistance: 1000MΩ min  
 Contact Resistance: 20MΩ max  
 Withstand Voltage: 500V AC/DC  
 Operating Temperature: -40°C to +105°C  
 Contact Material: Brass  
 Contact Plating: Au or Sn Over Ni  
 Insulator Material: PA6T+30%GF UL 94V-0

### Ordering Code:

BHCS05 - X - X - X - X - X - A-C  
 ① ② ③ ④ ⑤ ⑥ ⑦

- ① Series No:  
06 08 10 12 14 16 18  
20 22 24 26 28 30 34  
36 40 44 50 60 64
- ② No. of Contacts
- ③ Contact Plating:  
G0: Gold flash S0: Selective  
G1: 3u" Gold S1: Selective 3u"  
G2: 5u" Gold S2: Selective 5u"  
G3: 10u" Gold S3: Selective 10u"  
G4: 15u" Gold S4: Selective 15u"  
G5: 30u" Gold S5: Selective 30u"  
SN: Tin
- ④ Color Insulator  
B: Black  
U: Blue  
W: White
- ⑤ Insulator Material  
B: PA6T  
C: LCP  
E: PA9T
- ⑥ Packing  
A: Tray  
B: Bag  
C: Tube  
U: Tube+CAP  
R: Tape&Reel  
W: Tape&Reel+CAP
- ⑦ Dimension option:  
A: 0300=3.00mm  
C: 0730=7.30mm

### PCB LAYOUT



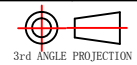
Standard IE P/N : BHCS05 -10-G0-B-B-B-0300-0730

Dimension antitheses List			Unless Otherwise specified tolerance	
ITEM	A	C	X. ±0.35	X.XX: ±0.20
Standard	3.0	7.3	X.X: ±0.25	X.XXX: ±0.15
Alternate			SCALE: As Shown	UNIT: mm

**Antenk** ANTEK ELECTRONICS CO., LTD  
[Http://www.antenk.com](http://www.antenk.com)  
 E-mail: sales@antenk.com

TITLE:  
2.00mm Box Header 180° H=4.8 Add Housing

DRAWING NO: BHCS05-XXXXX  
 PRODUCT NO: BHCS05-XXXXX



REV	DESCRIPTION	DATE