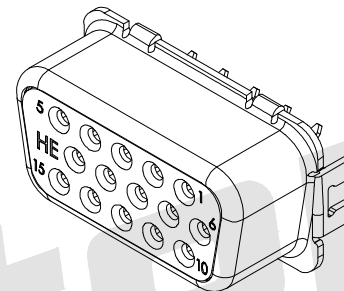
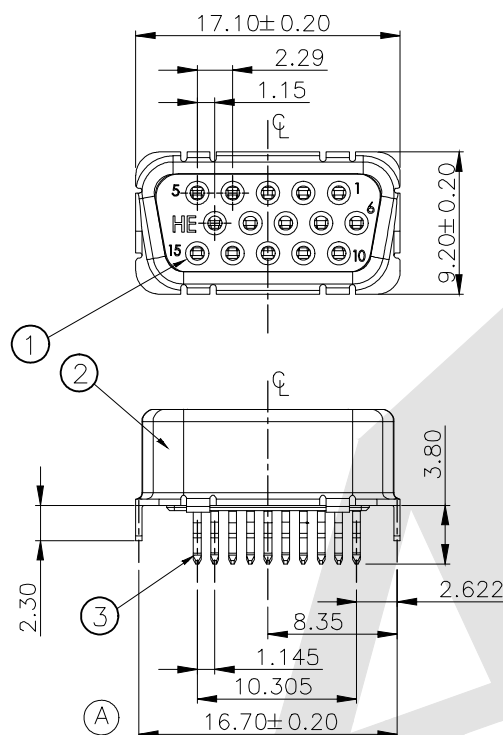


HSF



ROHS



SPECIFICATION:

ELECTRICAL: CHARACTERISTICS

Contact Current Rating:1A

Contact Voltage Rating: 240V AC

Dielectric withstanding voltage:500VAC rms

Insulation resistance:5000 megohms min

Contact Resistance:30mΩ max

Temperature range:-55℃~+105℃

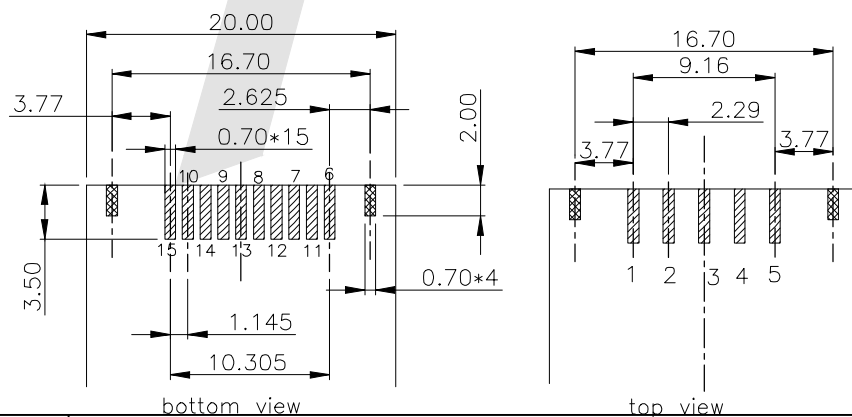
Recommended PCB Thickness 1.00~1.20mm

Ordering Code:

MDT02 - 15F - X - X
 ① ② ③ ④

- ① MDT02
- ② Contact Type:
15F:15pin Female
- ③ Color Code:
B:Black W:White
L:Blue G:Grey
- ④ Contact Plating
S: Selective Gold
S1:Selective 3u" Gold
S2:Selective 5u" Gold
S3:Selective 10u" Gold
S4:Selective 15u" Gold
S5:Selective 30u" Gold
G0: Gold flash
G1: 3u" Gold over
G2: 5u" Gold over
G3: 10u" Gold over
G4: 15u" Gold over
G5: 30u" Gold over

RECOMMENDED P.C.B LAYOUT (COMPONENT SIDE)
 FOR P.C.B THICKNESS:1.20&1.60mm



料号	DIM B	DIM C	PCB 厚度
MDT02-15FXX	1.00	1.15	1.20
MDT02-15FXX	1.40	1.55	1.60

Unless Otherwise specified tolerance
 X. ±0.35 X.XX:±0.20
 X.X:±0.25 X.XXX:±0.15



ANTENK ELECTRONICS CO., LTD
 Http://www.antenk.com
 E-mail:sales@antenk.com

SCALE: As Shown	UNIT: mm
DRAW Wu Sai	DATE 22/03/2018
CHECK BobYang	DATE 22/03/2018

TITLE: SLIM VGA 15P FEMALE STRADDLE TYPE

DRAWING NO: MDT02-15FXX

PRODUCT NO: MDT02-15FXX



REV	DESCRIPTION	DATE
1		
2		
3		
4		
5		