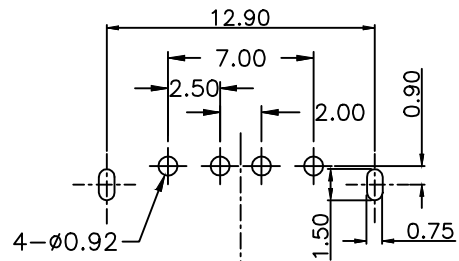
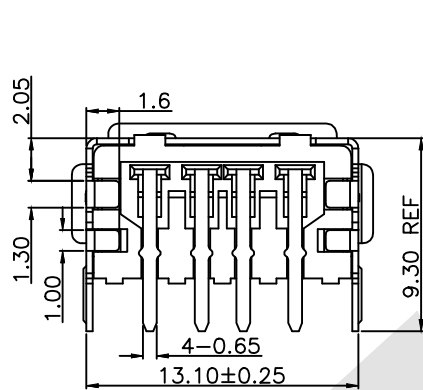
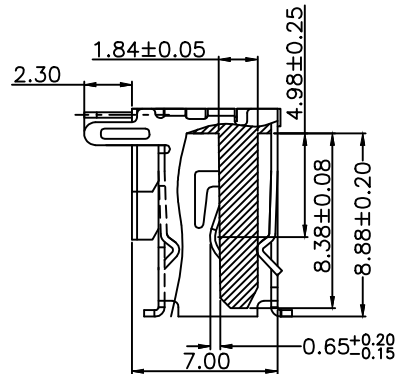
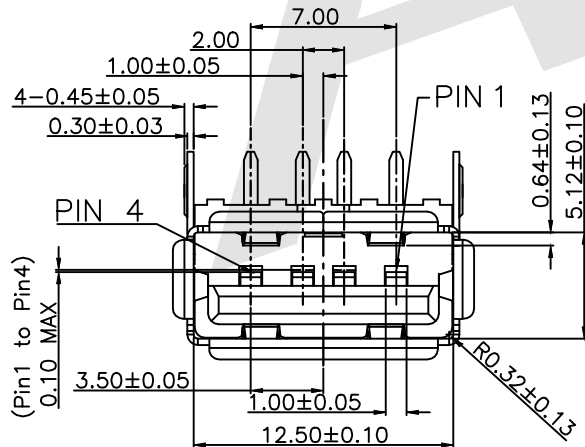
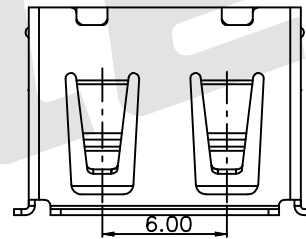
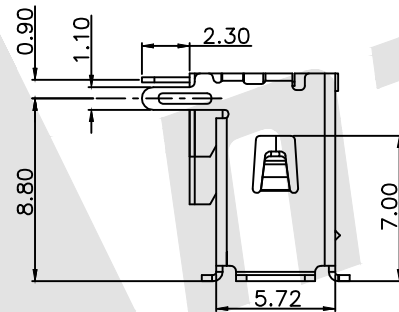
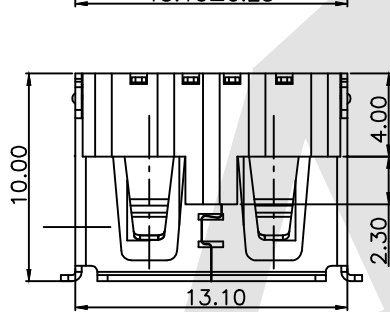


HSF



RECOMMENDED PCB LAYOUT(TOP VIEW)
GENERAL TOLERANCES:±0.05



Specifications:

Current Rating: 1.5A Max
Contact Resistance: 30 milliohms MAX
Dielectric Withstanding Voltage: 500V AC AT Sea Level
Insulation Resistance: 1000 Megohms MIN

Housing:

LCP, UL94 V-0; BLACK
Contact: COPPER ALLOY
Shell: COPPER ALLOY

Ordering Code:

UAFR11 - X - X - X - X - X - X
① ② ③ ④ ⑤ ⑥ ⑦

① Series No:

② Shell Material:

B:Brass I:Iron
S:stainless steel

③ Insulator Material:

P:PBT+30%GF
L:LCP

④ Contact Material:

B:Brass
P:phosphor copper

⑤ Contact Plating

G0: Gold flash
G1: 3u" Gold
G2: 5u" Gold
G3: 10u" Gold
G4: 15u" Gold
G5: 30u" Gold

⑥ Color Insulator

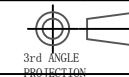
A:White
B:Black

⑦ Packing

A:Tray
B:Bag
C:Tube D:Tape & Reel

Unless Otherwise specified tolerance
X. ±0.35 X.XX: ±0.20
X.X: ±0.25 X.XXX: ±0.15

SCALE: As Shown UNIT: mm
DRAW Lv Xun Hua DATE 17/06/2019
CHECK BobYang DATE 17/06/2019



Antenk ANTENK ELECTRONICS CO., LTD
Http://www.antenk.com
E-mail:sales@antenk.com

TITLE: USB A Type Receptacle Angle DIP12.90mm
Short Body 10MM(2legs)

DRAWING NO: UAFR11-XXXXXX

PRODUCT NO: UAFR11-XXXXXX

REV DESCRIPTION DATE

1 2 3 4 5 6 7 8